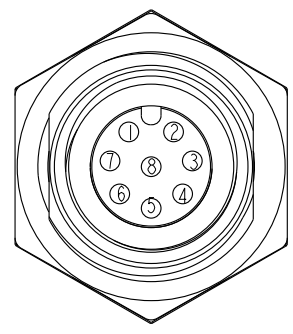
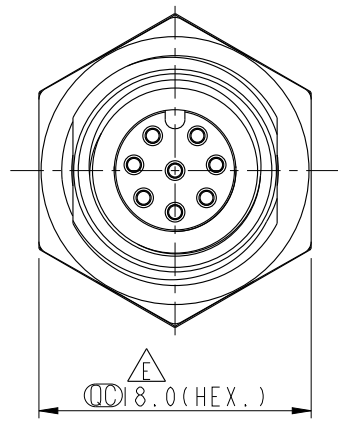
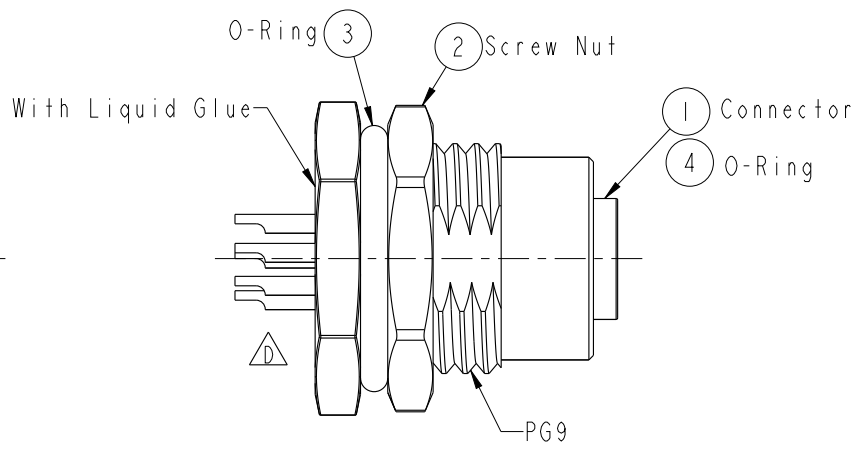
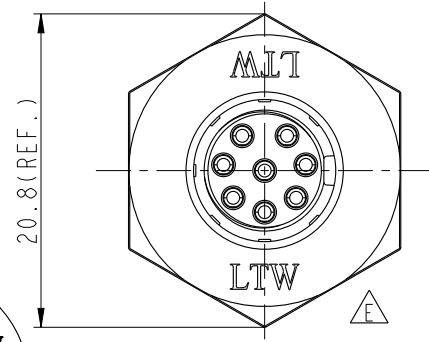
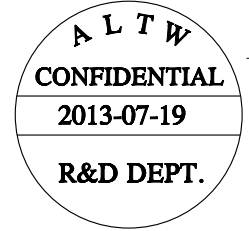
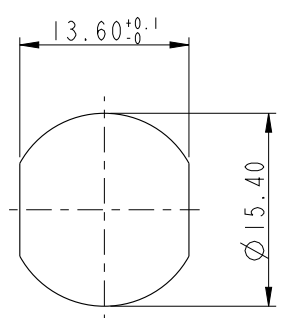


THIS DOCUMENT IS SUBJECT TO CHANGE WITHOUT NOTICE. IT IS CONFIDENTIAL AND A PROPERTY OF AMPHENOL LTW. DISCLOSURE TO THIRD PARTY HAS TO BE AUTHORIZED BY AMPHENOL LTW.

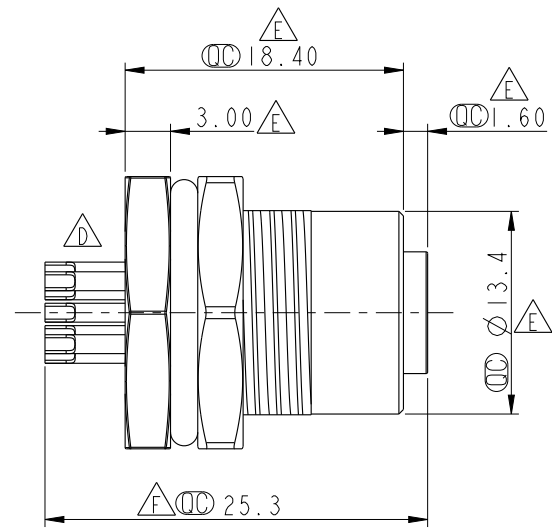
| REV. | ECN NO.    | DATE       | SIGN    | DESCRIPTION                  |
|------|------------|------------|---------|------------------------------|
| D    | LEN-7C0086 | 2007/12/17 | Cloud   | Correct the pin style.       |
| E    | LEN-040050 | 2010/03/30 | Vicky   | REF. TO ECR/N.NOTE.          |
| F    | LEN1370287 | 2013/07/19 | Rensong | chang demension 25.2 to 25.3 |



Pin Assignment  
Front View



Recommended Panel Cut-Out



- Note:
- \* (CC) Important Dimension.
  - \* Waterproof Rate: IP68
  - \* IP68: 1M Depth Of Water In 24hours.
  - \* Housing: Black, Nylon+GF
  - \* Female Pin: Copper Alloy, Gold Plated.
  - \* Shield: Zinc Alloy, Nickel Plated
  - \* Nut: Zinc Alloy, Nickel Plated
  - \* O-Ring1: EPDM, Black.
  - \* O-Ring2: Viton, Green.
  - \* For Panel Thickness Max 4.5mm
  - \* Nut Torque: 4-6 kgf.cm

|           |       |
|-----------|-------|
| UNIT: mm  |       |
| TOLERANCE |       |
| .X        | ±0.25 |
| .XX       | ±0.1  |
| .XXX      | ±0.05 |
| ANGLES    | ±1°   |

|  |                |                       |  |
|--|----------------|-----------------------|--|
| TITLE<br>M12 Conn<br>Panel Screw 8Pin F Conn F Pin |                |                       |  |
| SCALE<br>2:1                                       | SIZE<br>A4     | SHEET<br>1 OF 1       |  |
| REV.<br>F  | WC-REV.<br>B.1 | (CC): Inspection item |  |

**Amphenol LTW**  
安費諾亮泰企業股份有限公司

|                             |                         |                    |
|-----------------------------|-------------------------|--------------------|
| ITEM NO<br>12-08PFFS-SF8001 | DRAWN BY<br>Lin_rensong | DATE<br>2013-07-19 |
| DWG NO<br>12-08PFFS-SF8001  | CHECKED BY<br>Tony      | DATE<br>2013-07-19 |
| CUSTOMER<br>ALTW            | APPROVED BY<br>Maslow   | DATE<br>2013-07-19 |

单击下面可查看定价，库存，交付和生命周期等信息

[>>Amphenol\(安费诺\)](#)