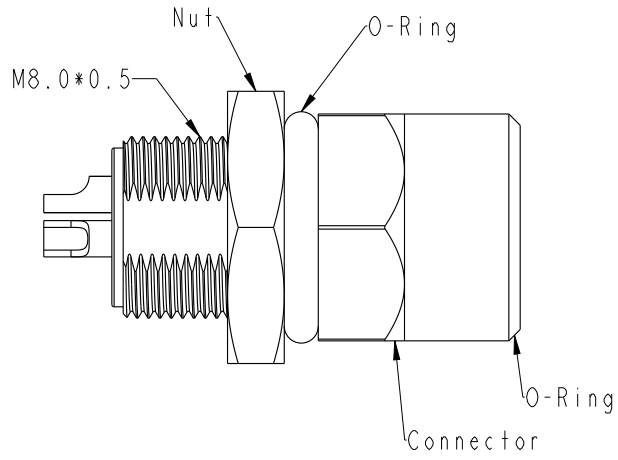
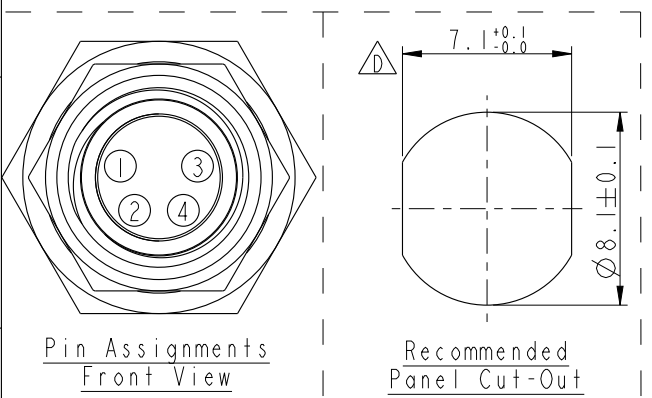
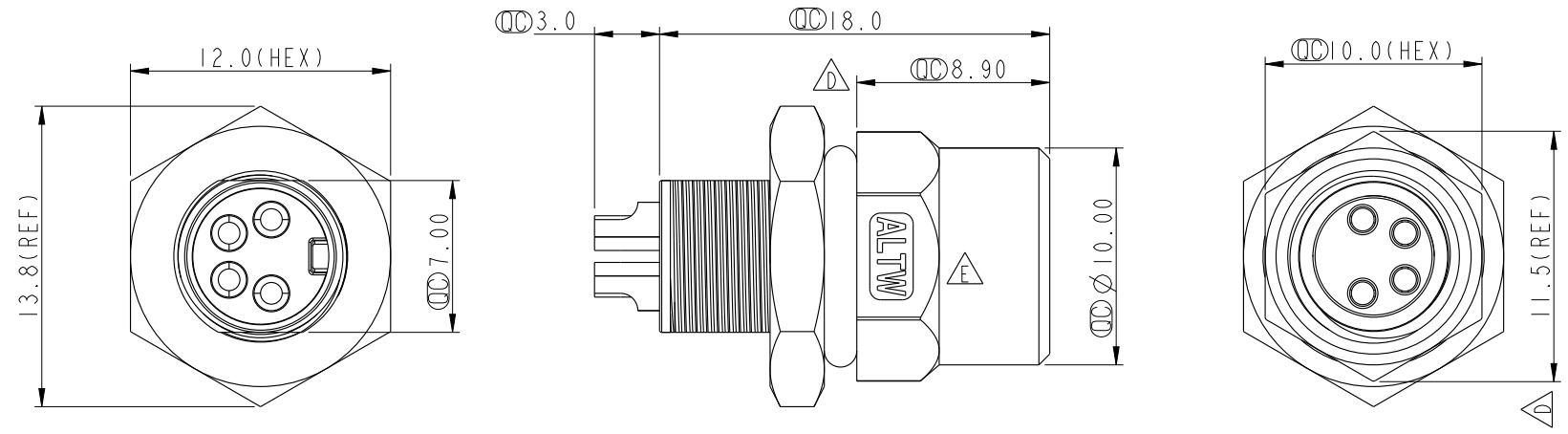


THIS DOCUMENT IS SUBJECT TO CHANGE WITHOUT NOTICE. IT IS CONFIDENTIAL AND A PROPERTY OF AMPHENOL LTW. DISCLOSURE TO THIRD PARTY HAS TO BE AUTHORIZED BY AMPHENOL LTW.

REV.	ECN NO.	DATE	SIGN	DESCRIPTION
C	LEN-7A0169	2007/09/29	Myrdal	Added Note
D	LEN-910184	2009/01/07	Ivan Lin	Change rev. to ECN note
E	C191918	2019/11/04	JC Chen	EXI



- Note:
- * \varnothing Important Dimension.
 - * Waterproof Rate: IP67
 - * Connector: Black, Nylon+GF
 - * Female Pin: Copper Alloy, Gold Plated
 - * Shield: Zinc Alloy, Nickel Plated
 - $\triangle D$ * Nut: Copper Alloy, Nickel Plated
 - * O-Ring: Black, EPDM
 - $\triangle D$ * O-Ring: Green, VITON
 - * For Panel Thickness Max 4.5mm
 - $\triangle C$ * Nut Torque: 4-6 kgf.cm

UNIT: mm			TITLE $\triangle D$ M8 Conn Panel Screw 4P F Conn F Pin
TOLERANCE .X ±0.25 .XX ±0.1 .XXX ±0.05 ANGLES ±1°	SCALE 3:1	SIZE A4	SHEET 1 OF 1
REV. E	WC-REV. A.3	\varnothing : Inspection item	

Amphenol LTW
安費諾亮泰企業股份有限公司

ITEM NO. 8-04PFFS-SH7001	DRAWN BY Ivan Lin	DATE 2009/01/07
DWG NO. 8-04PFFS-SH7001	CHECKED BY Tommy Hom	DATE 2009/01/07
CUSTOMER ALTW	APPROVED BY Luke Chang	DATE 2009/01/07

单击下面可查看定价，库存，交付和生命周期等信息

[>>Amphenol\(安费诺\)](#)