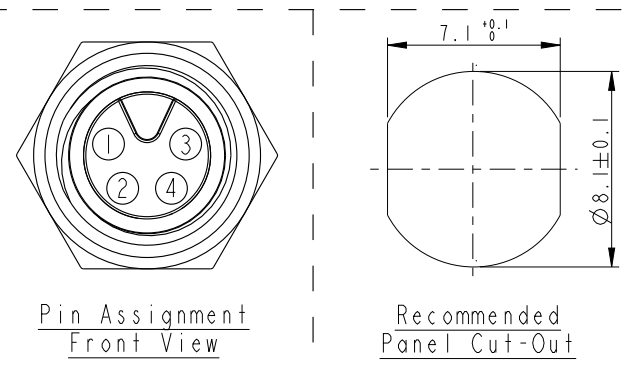
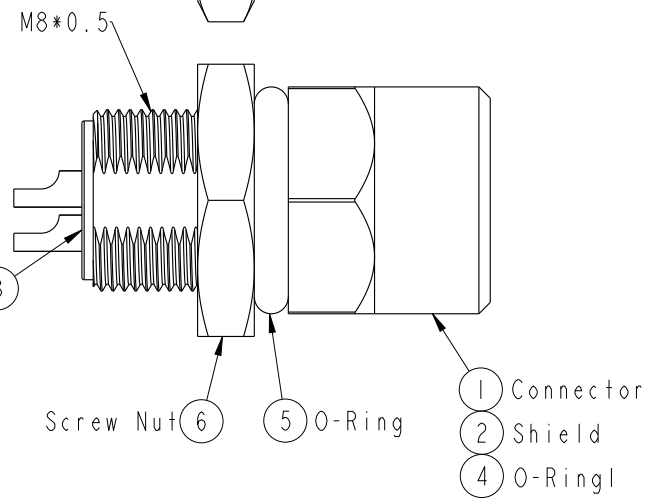
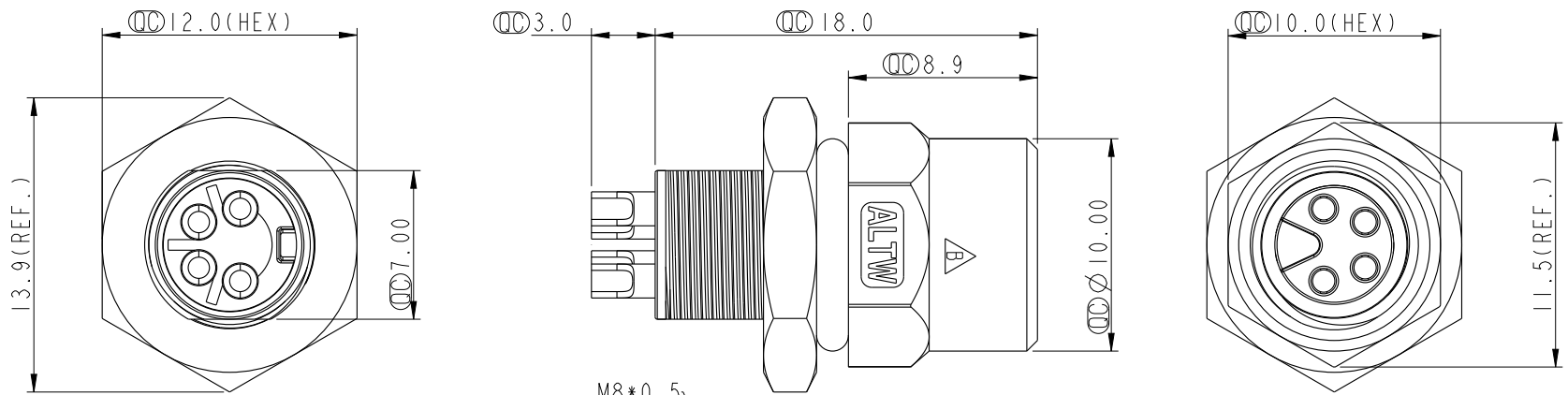


THIS DOCUMENT IS SUBJECT TO CHANGE WITHOUT NOTICE. IT IS CONFIDENTIAL AND A PROPERTY OF AMPHENOL LTW. DISCLOSURE TO THIRD PARTY HAS TO BE AUTHORIZED BY AMPHENOL LTW.

REV.	ECN NO.	DATE	SIGN	DESCRIPTION
B	C191918	2019/10/31	JC Chen	△ XI



Note:

- * ⌀ Important Dimension.
- * Waterproof Rate: IP67.
- * Housing: Nylon+GF, Black.
- * Female Pin: Copper Alloy, Gold Plated.
- * Shield: Zinc Alloy, Nickel Plated.
- * Screw Nut: Copper Alloy, Nickel Plated.
- * O-Ring1: Viton, Green.
- * O-Ring2: EPDM, Black.
- * For Panel Thickness Max 4.5mm.
- * Nut Torque: 4~6 kgf.cm.

UNIT:mm		TITLE M8 4Pin Panel F Conn. F Pin			ITEM NO 8A-04PFFS-SH7001	DRAWN BY Mila	DATE 2014-02-10
		TOLERANCE .X ±0.25 .XX ±0.1 .XXX ±0.05 ANGLES ±1°	SCALE 3:1	SIZE A4	SHEET 1 OF 1	DWG NO 8A-04PFFS-SH7001	CHECKED BY Jimmy
		REV. B	WC-REV. A.5	⌀: Inspection item	CUSTOMER ALTM	APPROVED BY Jerry	DATE 2014-02-10

Amphenol LTW
安費諾亮泰企業股份有限公司

单击下面可查看定价，库存，交付和生命周期等信息

[>>Amphenol\(安费诺\)](#)