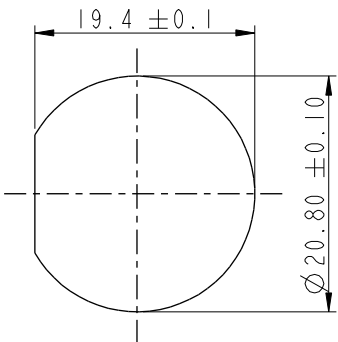
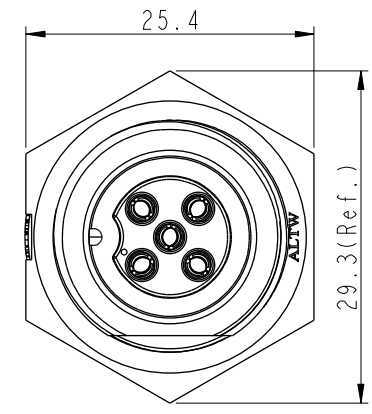
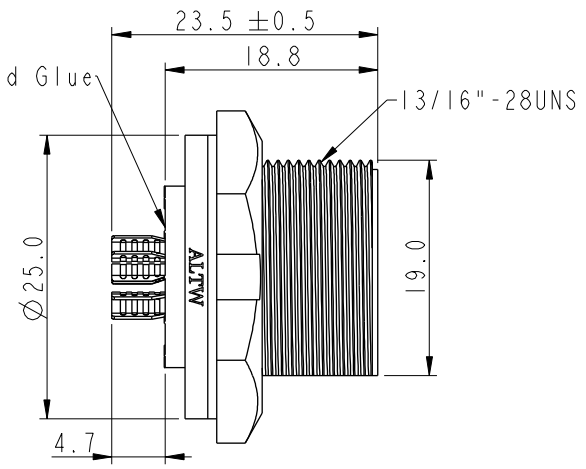
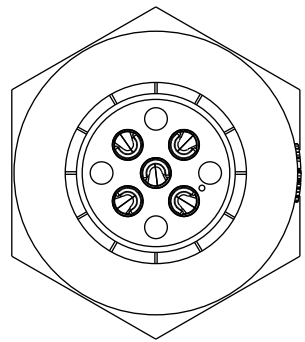


THIS DOCUMENT IS SUBJECT TO CHANGE WITHOUT NOTICE. IT IS CONFIDENTIAL AND A PROPERTY OF AMPHENOL LTW. DISCLOSURE TO THIRD PARTY HAS TO BE AUTHORIZED BY AMPHENOL LTW.

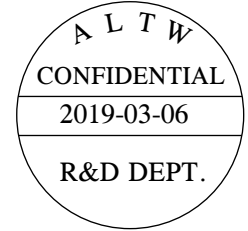
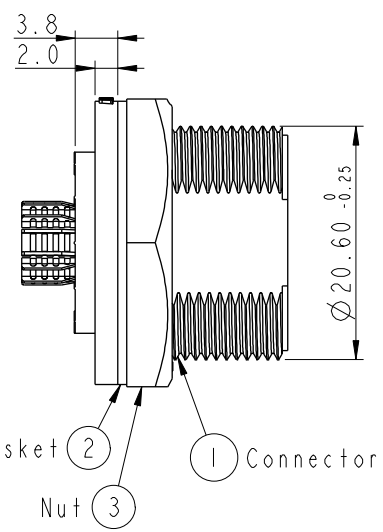
REV.	ECN NO.	DATE	SIGN	DESCRIPTION
B	C190348	2019/03/06	Vicky	Change Note



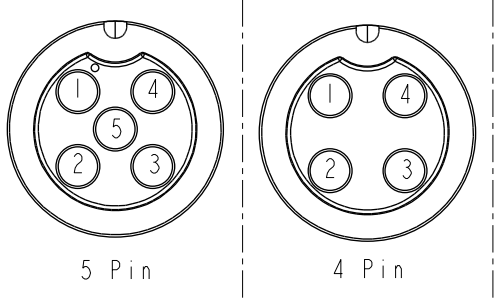
Recommended Panel Cut-Out



ACB-XXPMFS-SC7001
 04: 4Pin
 :
 05: 5Pin



- Note:**
- * \varnothing Important Dimension To Check.
 - * Waterproof Rate: IP67, Unmated.
 - * Housing: Thermoplastic, Black.
 - * Pin: Copper Alloy, Gold Plated.
 - * Gasket: Rubber, Gray.
 - * Nut: Thermoplastic, Black.
 - * Use with waterproof cap or dust cap
Maximum Panel Thickness: 2.3mm
 - * Use without waterproof cap or dust cap
Maximum Panel Thickness: 3.5mm
 - * Gasket and Nut are packed separately in PE bags. (Gasket/Nut不組裝, 散裝出貨)



Pin Assignments Front View

UNIT: mm		TITLE MIDDLE PANEL SCREW M CONN F PIN			ITEM NO	DRAWN BY Vicky	DATE 2019-03-06
		TOLERANCE .X ±0.25 .XX ±0.1 .XXX ±0.05 ANGLES ±1°	SCALE 3:2	SIZE A4	SHEET 1 OF 1	DWG NO ACB-XXPMFS-SC7001	CHECKED BY Rita
		REV. B	WC-REV. A.2	QC: Inspection item	CUSTOMER ALTW	APPROVED BY Max	DATE 2019-03-06

Amphenol LTW
 安費諾亮泰企業股份有限公司

单击下面可查看定价，库存，交付和生命周期等信息

[>>Amphenol\(安费诺\)](#)