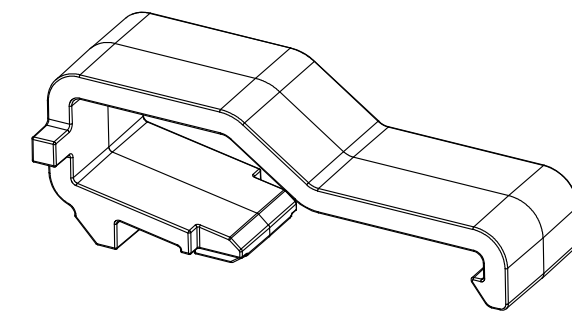
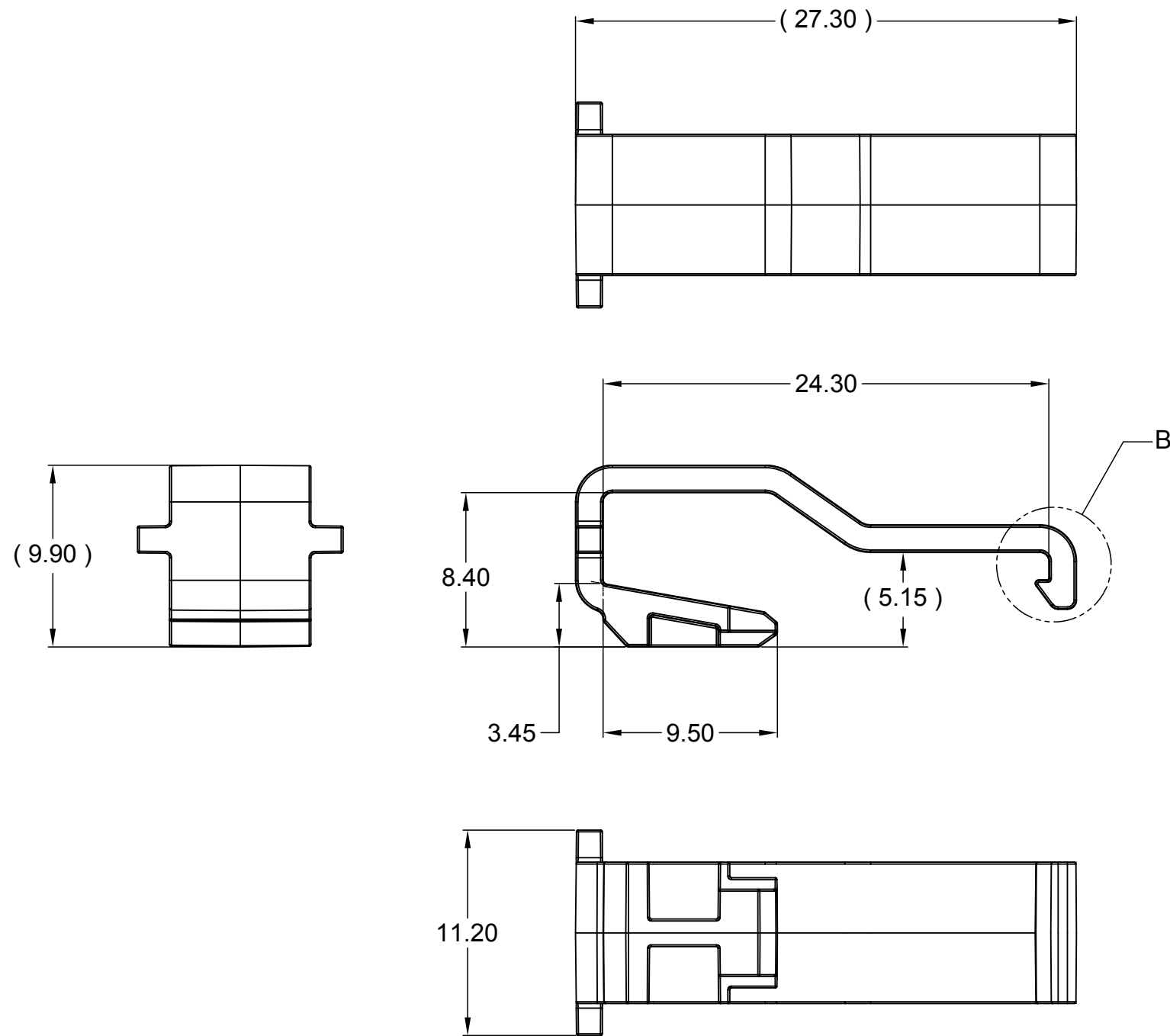
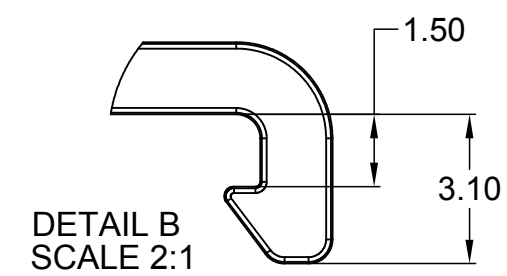
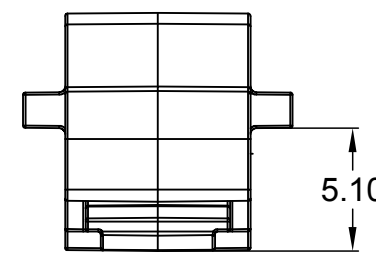


REVISIONS					
REV	ECO	DESCRIPTION	DATE	BY	APPR
A1	-	RELEASED CUSTOMER DRAWING	11NOV14	D.PARKS	-



ISOMETRIC VIEW



NOTES: UNLESS OTHERWISE SPECIFIED

- MATERIAL:
THERMOPLASTIC; COLOR: RED
- FOR USE WITH "AT" SERIES, 2, 4, & 6 WAY, FULLY MATED PLUG & RECEPTACLE SET.
- ALL DIMENSIONS ARE FOR REFERENCE USE ONLY.

TITLE: CPA, AT SERIES 2486 CAVITY RED
 DWG NO: AT-246CPA-RD
 REV: A1
 SH: 1
 OF: 1

AT-246CPA-RD		DESCRIPTION		ITEM
PART NUMBER		DESCRIPTION		ITEM
QUANTITY	MATERIALS LIST			
UNLESS OTHERWISE SPECIFIED 1) All dimensions are in metric (mm). 2) Tolerances are as follows: 1 PL DEC ±1.27 2 PL DEC ±0.25 3 PL DEC ±0.127 Fractions ±0.40 Angles ±1° 3) Note reference =		SIGNATURES	DATE	<h1>Amphenol</h1> <p>Sine Systems - www.amphenol-sine.com 44724 Morley Drive Clinton Township, MI 48036</p>
MATERIAL SPECIFICATIONS: SEE NOTES		DRAWN: D.PARKS	11NOV14	
PROCESS SPECIFICATIONS:		CHECKED:		
NEXT ASSY:		ENGINEER:		
		APPROVAL:		CPA, AT SERIES, 2,4&6 CAVITY, RED
		CUSTOMER:		
		THIS DRAWING IS SUPPLIED FOR INFORMATION ONLY. DESIGN FEATURES, SPECIFICATIONS AND PERFORMANCE DATA SHOWN HEREON ARE THE PROPERTY OF THE AMPHENOL CORPORATION. NO RIGHTS OF REPRODUCTION ARE IMPLIED. ALL DIMENSIONS ARE SUBJECT TO NORMAL MANUFACTURING VARIATIONS.		SIZE: B C- TYPE: NONE DWG NO: AT-246CPA-RD REVISION: A1
		SCALE: NONE		SHEET 1 OF 1

单击下面可查看定价，库存，交付和生命周期等信息

[>>Amphenol\(安费诺\)](#)