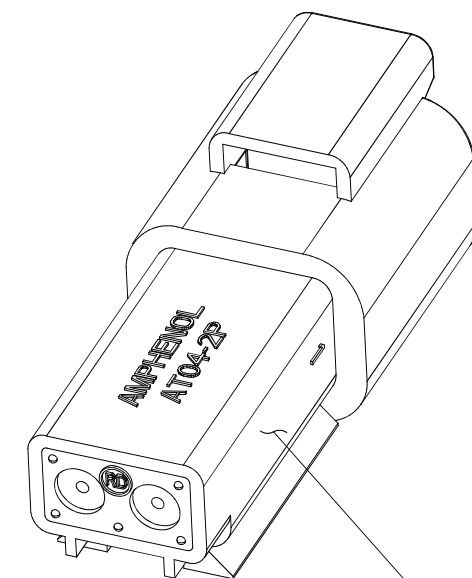
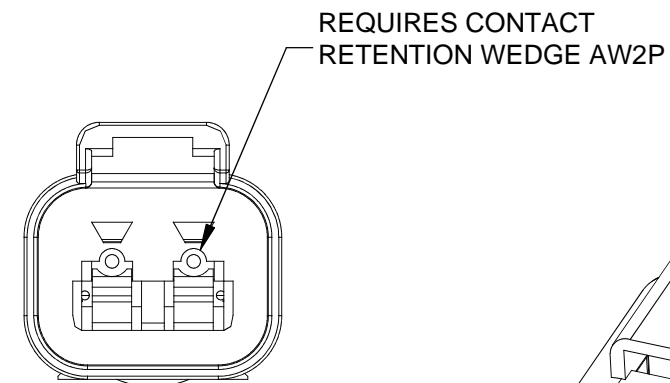
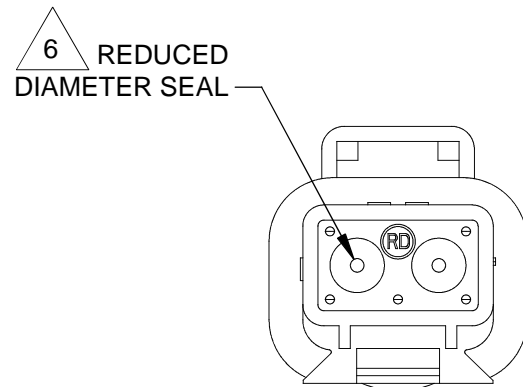
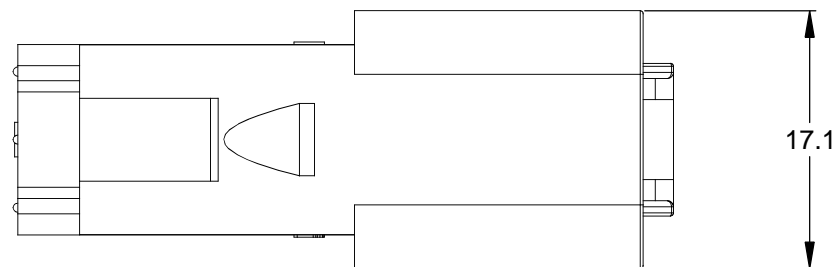
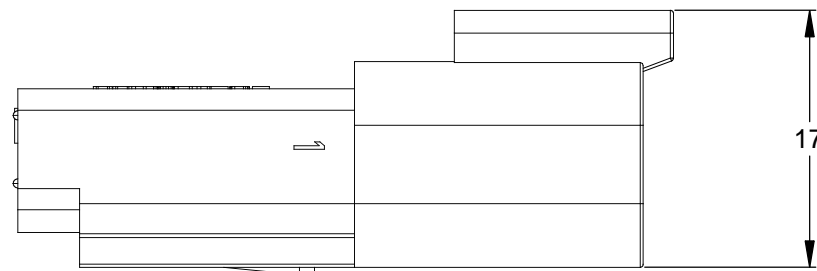
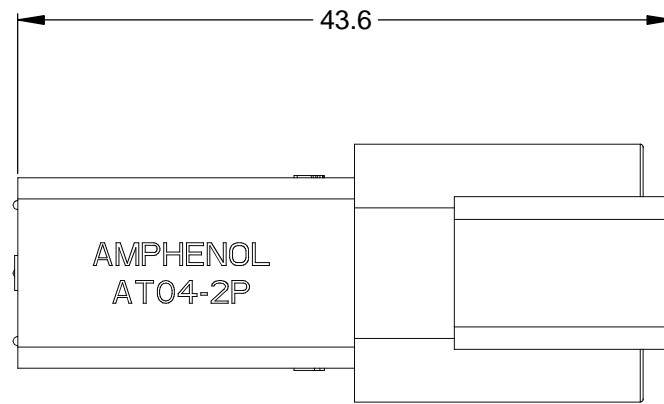


REVISIONS					
REV	ECO	DESCRIPTION	DATE	BY	APPR
A3	-	RELEASE NEW DWG FORMAT	12NOV13	DRP	



STANDARD MOLDED COLOR IS GREY.
ADDITIONAL COLORS SHOWN IN PART NUMBER
CHART ARE AVAILABLE VIA SPECIAL ORDER.

NOTES: UNLESS OTHERWISE SPECIFIED

- MATERIAL:
HOUSING: THERMOPLASTIC
SEAL: SILICONE RUBBER
- MODIFICATIONS: REDUCED DIAMETER WIRE SEAL
- SPECIFICATIONS:
 - CURRENT RATING: 13 AMPS
 - OPERATING TEMPERATURE: -55°C TO +125°C
 - DIELECTRIC WITHSTANDING VOLTAGE: LESS THAN 2 MILLIAMPS CURRENT LEAKAGE @ 1500 VOLTS AC.
 - INSULATION RESISTANCE: 1000 MEGOHMS MIN @ 25°C.
 - MOISTURE RESISTANCE: IP67 (MATED CONDITION)
 - MATING CYCLE DURABILITY: 100 CYCLES
 - RoHS COMPLIANT
- MATING PART: AT06-2S* PLUG
(* = MODIFICATIONS AND COLORS)
- ALL DIMENSIONS ARE FOR REFERENCE USE ONLY.

6 CONTACT SIZE AND REAR SEAL WIRE RANGE:

CONTACT SIZE	MIN. INSUL O.D.	MAX. INSUL O.D.	TYPICAL WIRE RANGE
16	1.35 mm (.053 in)	3.05 mm (.120 in)	14 - 20 AWG

PART NUMBER CHART	
COLOR	PART NUMBER
GREY	AT04-2P-RD01
BLACK	AT04-2P-RD01BLK
BLUE	AT04-2P-RD01BLU
BROWN	AT04-2P-RD01BRN
GREEN	AT04-2P-RD01GRN
RED	AT04-2P-RD01RED
WHITE	AT04-2P-RD01WHT
YELLOW	AT04-2P-RD01YEL

QUANTITY	SEE PART NUMBER CHART	PART NUMBER	DESCRIPTION	ITEM																													
<table border="1"> <tr> <td>UNLESS OTHERWISE SPECIFIED</td> <td>SIGNATURES</td> <td>DATE</td> <td colspan="2" rowspan="4"> <h1>Amphenol</h1> <p>Sine Systems - www.amphenol-sine.com 44724 Morley Drive Clinton Township, MI 48036</p> </td> </tr> <tr> <td>1) All dimensions are in metric(mm).</td> <td>DRAWN: D.PARKS</td> <td>12NOV13</td> </tr> <tr> <td>2) Tolerances are as follows: 1 PL DEC ±0.30 2 PL DEC ±0.15 3 PL DEC ±0.08</td> <td>CHECKED:</td> <td></td> </tr> <tr> <td>Fractions ±1/64 Angles ±1°</td> <td>ENGINEER:</td> <td></td> </tr> <tr> <td>3) Note reference = </td> <td>APPROVAL:</td> <td></td> <td colspan="2">RECEPTACLE, 2 PIN, AT SERIES, REDUCED DIAMETER WIRE SEAL</td> </tr> <tr> <td>MATERIAL SPECIFICATIONS:</td> <td colspan="2">CUSTOMER:</td> <td colspan="2">THIS DRAWING IS SUPPLIED FOR INFORMATION ONLY. DESIGN FEATURES, SPECIFICATIONS AND PERFORMANCE DATA SHOWN HEREON ARE THE PROPERTY OF THE AMPHENOL CORPORATION. NO RIGHTS OF REPRODUCTION ARE IMPLIED. ALL DIMENSIONS ARE SUBJECT TO NORMAL MANUFACTURING VARIATIONS.</td> </tr> <tr> <td>PROCESS SPECIFICATIONS:</td> <td colspan="2">NEXT ASSY:</td> <td>SCALE: NONE</td> <td>REVISION</td> </tr> </table>					UNLESS OTHERWISE SPECIFIED	SIGNATURES	DATE	<h1>Amphenol</h1> <p>Sine Systems - www.amphenol-sine.com 44724 Morley Drive Clinton Township, MI 48036</p>		1) All dimensions are in metric(mm).	DRAWN: D.PARKS	12NOV13	2) Tolerances are as follows: 1 PL DEC ±0.30 2 PL DEC ±0.15 3 PL DEC ±0.08	CHECKED:		Fractions ±1/64 Angles ±1°	ENGINEER:		3) Note reference =	APPROVAL:		RECEPTACLE, 2 PIN, AT SERIES, REDUCED DIAMETER WIRE SEAL		MATERIAL SPECIFICATIONS:	CUSTOMER:		THIS DRAWING IS SUPPLIED FOR INFORMATION ONLY. DESIGN FEATURES, SPECIFICATIONS AND PERFORMANCE DATA SHOWN HEREON ARE THE PROPERTY OF THE AMPHENOL CORPORATION. NO RIGHTS OF REPRODUCTION ARE IMPLIED. ALL DIMENSIONS ARE SUBJECT TO NORMAL MANUFACTURING VARIATIONS.		PROCESS SPECIFICATIONS:	NEXT ASSY:		SCALE: NONE	REVISION
UNLESS OTHERWISE SPECIFIED	SIGNATURES	DATE	<h1>Amphenol</h1> <p>Sine Systems - www.amphenol-sine.com 44724 Morley Drive Clinton Township, MI 48036</p>																														
1) All dimensions are in metric(mm).	DRAWN: D.PARKS	12NOV13																															
2) Tolerances are as follows: 1 PL DEC ±0.30 2 PL DEC ±0.15 3 PL DEC ±0.08	CHECKED:																																
Fractions ±1/64 Angles ±1°	ENGINEER:																																
3) Note reference =	APPROVAL:		RECEPTACLE, 2 PIN, AT SERIES, REDUCED DIAMETER WIRE SEAL																														
MATERIAL SPECIFICATIONS:	CUSTOMER:		THIS DRAWING IS SUPPLIED FOR INFORMATION ONLY. DESIGN FEATURES, SPECIFICATIONS AND PERFORMANCE DATA SHOWN HEREON ARE THE PROPERTY OF THE AMPHENOL CORPORATION. NO RIGHTS OF REPRODUCTION ARE IMPLIED. ALL DIMENSIONS ARE SUBJECT TO NORMAL MANUFACTURING VARIATIONS.																														
PROCESS SPECIFICATIONS:	NEXT ASSY:		SCALE: NONE	REVISION																													
			SIZE: B C-	DWG NO: AT04-2P-RD01XXX																													
				REVISION: A3																													
			SHEET 1 OF 1																														

TITLE: RECEPTACLE, 2 PIN, AT SERIES, REDUCED DIA. WIRE SEAL
DWG NO: AT04-2P-RD01XXX
REV: A3
SH: 1
OF: 1

单击下面可查看定价，库存，交付和生命周期等信息

[>>Amphenol\(安费诺\)](#)