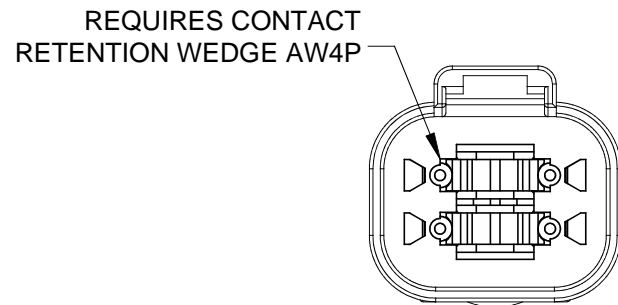
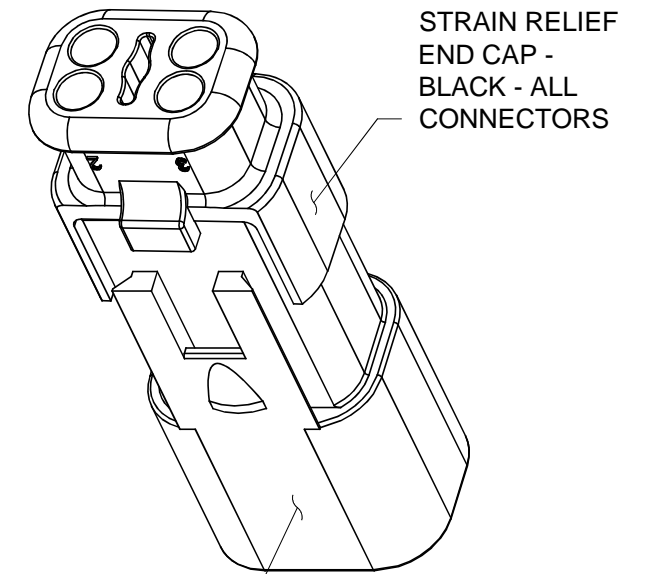
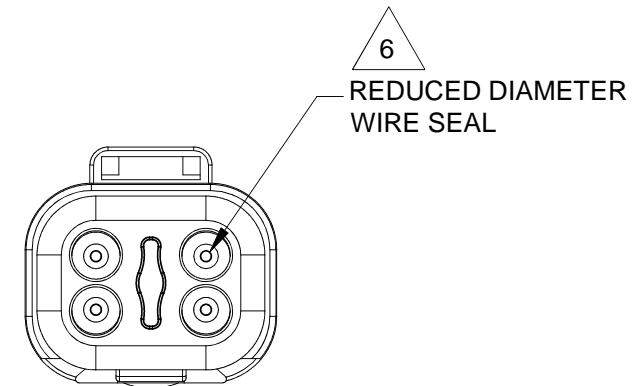
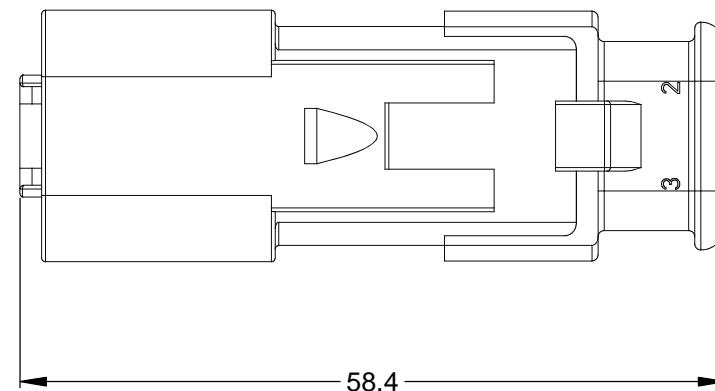
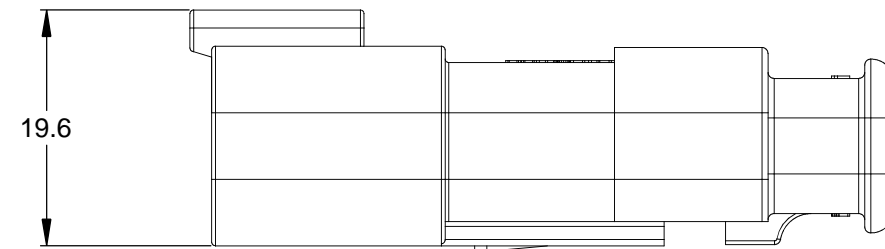
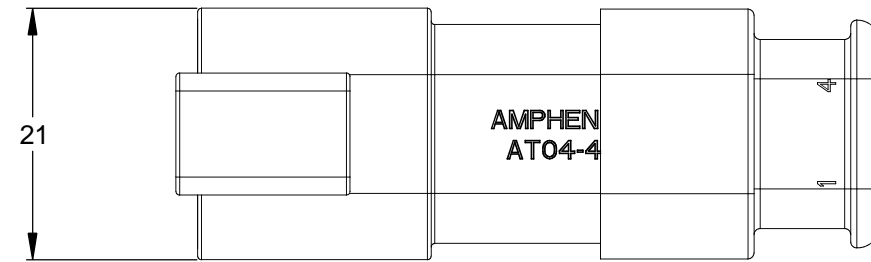


REVISIONS					
REV	ECO	DESCRIPTION	DATE	BY	APPR
A3	-	RELEASE NEW DWG FORMAT	11DEC13	DRP	-



NOTES: UNLESS OTHERWISE SPECIFIED

- MATERIAL:
HOUSING: THERMOPLASTIC
SEAL: SILICONE RUBBER
- MODIFICATIONS: STRAIN RELIEF END CAP;
REDUCED DIA. WIRE SEAL
- SPECIFICATIONS:
 - CURRENT RATING: 13 AMPS
 - OPERATING TEMPERATURE: -55°C TO +125°C
 - DIELECTRIC WITHSTANDING VOLTAGE: LESS THAN 2 MILLIAMPS CURRENT LEAKAGE @ 1500 VOLTS AC.
 - INSULATION RESISTANCE: 1000 MEGOHMS MIN @ 25°C.
 - MOISTURE RESISTANCE: IP67 (MATED CONDITION)
 - MATING CYCLE DURABILITY: 100 CYCLES
 - RoHS COMPLIANT
- MATING PART: AT06-4S* PLUG
(* = MODIFICATIONS AND COLORS)
- ALL DIMENSIONS ARE FOR REFERENCE USE ONLY.

6 CONTACT SIZE AND REAR SEAL WIRE RANGE:

CONTACT SIZE	MIN. INSUL O.D.	MAX. INSUL O.D.	TYPICAL WIRE RANGE
16	1.35 mm (.053 in)	3.05 mm (.120 in)	14 - 20 AWG

PART NUMBER CHART	
COLOR	PART NUMBER
GREY	AT04-4P-SR02GRY
BLACK	AT04-4P-SR02BLK
BLUE	AT04-4P-SR02BLU
BROWN	AT04-4P-SR02BRN
GREEN	AT04-4P-SR02GRN
RED	AT04-4P-SR02RED
WHITE	AT04-4P-SR02WHT
YELLOW	AT04-4P-SR02YEL

REFER TO PART NUMBER CHART FOR AVAILABLE CONNECTOR COLORS

QUANTITY	SEE PART NUMBER CHART	DESCRIPTION	ITEM																																																							
<table border="1"> <thead> <tr> <th colspan="2">MATERIALS LIST</th> <th colspan="2">SIGNATURES</th> <th>DATE</th> </tr> </thead> <tbody> <tr> <td colspan="2">UNLESS OTHERWISE SPECIFIED</td> <td>DRAWN:</td> <td>D.PARKS</td> <td>11DEC13</td> </tr> <tr> <td colspan="2">1) All dimensions are in metric(mm).</td> <td>CHECKED:</td> <td></td> <td></td> </tr> <tr> <td colspan="2">2) Tolerances are as follows:</td> <td>ENGINEER:</td> <td></td> <td></td> </tr> <tr> <td colspan="2">1 PL DEC ±0.30</td> <td>APPROVAL:</td> <td></td> <td></td> </tr> <tr> <td colspan="2">2 PL DEC ±0.15</td> <td>CUSTOMER:</td> <td></td> <td></td> </tr> <tr> <td colspan="2">3 PL DEC ±0.08</td> <td colspan="3">THIS DRAWING IS SUPPLIED FOR INFORMATION ONLY. DESIGN FEATURES, SPECIFICATIONS AND PERFORMANCE DATA SHOWN HEREON ARE THE PROPERTY OF THE AMPHENOL CORPORATION. NO RIGHTS OF REPRODUCTION ARE IMPLIED. ALL DIMENSIONS ARE SUBJECT TO NORMAL MANUFACTURING VARIATIONS.</td> </tr> <tr> <td colspan="2">3) Note reference = </td> <td colspan="3"></td> </tr> <tr> <td colspan="2">MATERIAL SPECIFICATIONS:</td> <td colspan="3"></td> </tr> <tr> <td colspan="2">PROCESS SPECIFICATIONS:</td> <td colspan="3"></td> </tr> <tr> <td colspan="2">NEXT ASSY:</td> <td colspan="3"></td> </tr> </tbody> </table>				MATERIALS LIST		SIGNATURES		DATE	UNLESS OTHERWISE SPECIFIED		DRAWN:	D.PARKS	11DEC13	1) All dimensions are in metric(mm).		CHECKED:			2) Tolerances are as follows:		ENGINEER:			1 PL DEC ±0.30		APPROVAL:			2 PL DEC ±0.15		CUSTOMER:			3 PL DEC ±0.08		THIS DRAWING IS SUPPLIED FOR INFORMATION ONLY. DESIGN FEATURES, SPECIFICATIONS AND PERFORMANCE DATA SHOWN HEREON ARE THE PROPERTY OF THE AMPHENOL CORPORATION. NO RIGHTS OF REPRODUCTION ARE IMPLIED. ALL DIMENSIONS ARE SUBJECT TO NORMAL MANUFACTURING VARIATIONS.			3) Note reference =					MATERIAL SPECIFICATIONS:					PROCESS SPECIFICATIONS:					NEXT ASSY:				
MATERIALS LIST		SIGNATURES		DATE																																																						
UNLESS OTHERWISE SPECIFIED		DRAWN:	D.PARKS	11DEC13																																																						
1) All dimensions are in metric(mm).		CHECKED:																																																								
2) Tolerances are as follows:		ENGINEER:																																																								
1 PL DEC ±0.30		APPROVAL:																																																								
2 PL DEC ±0.15		CUSTOMER:																																																								
3 PL DEC ±0.08		THIS DRAWING IS SUPPLIED FOR INFORMATION ONLY. DESIGN FEATURES, SPECIFICATIONS AND PERFORMANCE DATA SHOWN HEREON ARE THE PROPERTY OF THE AMPHENOL CORPORATION. NO RIGHTS OF REPRODUCTION ARE IMPLIED. ALL DIMENSIONS ARE SUBJECT TO NORMAL MANUFACTURING VARIATIONS.																																																								
3) Note reference =																																																										
MATERIAL SPECIFICATIONS:																																																										
PROCESS SPECIFICATIONS:																																																										
NEXT ASSY:																																																										
<h1>Amphenol</h1> <p>Sine Systems - www.amphenol-sine.com 44724 Morley Drive Clinton Township, MI 48036</p>																																																										
<p>RECEPTACLE, 4 PIN, AT SERIES, STRAIN RELIEF END CAP, REDUCED DIA. WIRE SEAL</p>																																																										
SIZE	TYPE	DWG NO:	REVISION																																																							
B	C-	AT04-4P-SR02XXX	A3																																																							
SCALE: NONE	SHEET 1 OF 1																																																									

TITLE: RECEPTACLE, 4 PIN, AT, STRAIN RELIEF, REDUCED DIA WIRE SEAL
DWG NO: AT04-4P-SR02XXX
REV: A3
SH: 1
OF: 1

单击下面可查看定价，库存，交付和生命周期等信息

[>>Amphenol\(安费诺\)](#)