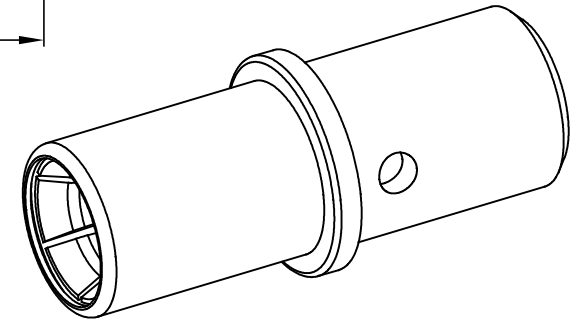
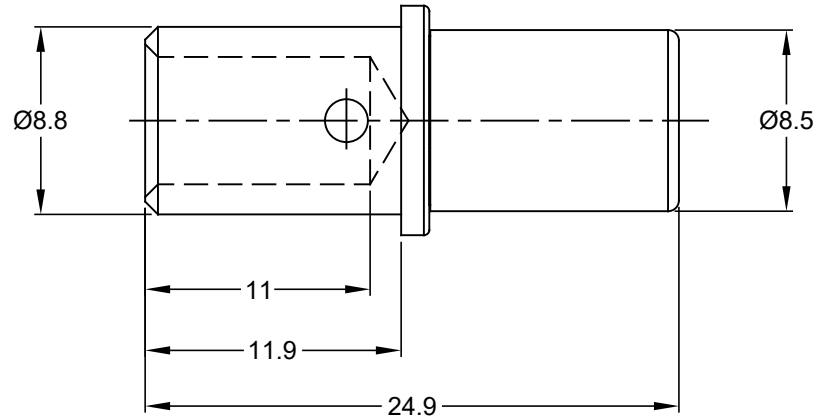
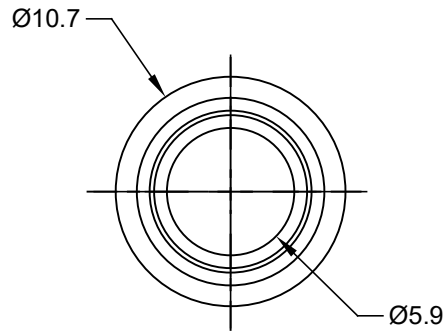


REVISIONS					
REV	ECO	DESCRIPTION	DATE	BY	APPR
A1	-	RELEASE NEW DRAWING	28JUL17	JONY	TOMMY



NOTES: UNLESS OTHERWISE SPECIFIED

1. MATERIAL: COPPER ALLOY, NICKEL PLATED
2. CONTACT SIZE: 4#
3. SPECIFICATIONS:
 - 3.1 CURRENT RATING: 100 AMP
 - 3.2 CONTACT MILLIVOLT DROP: 60 MILLIVOLT DROP @ 100 AMP TEST CURRENT.
 - 3.3 ROHS COMPLIANT
4. RECOMMENDED WIRE RANGE: 6 AWG
5. ALL DIMENSIONS ARE FOR REFERENCE USE ONLY

TITLE: CONTACT SOCKET, SIZE 4, 6 AWG
 DWG NO.: AT62-203-04141
 REV: A1
 SH: 1
 OF: 1

AT62-203-04141		DESCRIPTION		ITEM
PART NUMBER		DESCRIPTION		ITEM
QUANTITY	MATERIALS LIST			
UNLESS OTHERWISE SPECIFIED		SIGNATURES		DATE
1) All dimensions are in metric (mm).		DRAWN: Jony		28JUL17
2) Tolerances are as follows:		CHECKED: Orion		28JUL17
1 PL DEC ±0.30		FRACTIONS: ±1/64		
2 PL DEC ±0.15		ANGLES: ±1°		
3 PL DEC ±0.08				
3) Note reference =		APPROVAL: Tommy		28JUL17
MATERIAL SPECIFICATIONS:		CUSTOMER:		
PROCESS SPECIFICATIONS:		THIS DRAWING IS SUPPLIED FOR INFORMATION ONLY. DESIGN FEATURES, SPECIFICATIONS AND PERFORMANCE DATA SHOWN HEREON ARE THE PROPERTY OF THE AMPHENOL CORPORATION. NO RIGHTS OF REPRODUCTION ARE IMPLIED. ALL DIMENSIONS ARE SUBJECT TO NORMAL MANUFACTURING VARIATIONS.		
NEXT ASSY:		SIZE	TYPE	DWG NO.
		B	C-	AT62-203-04141
		SCALE	NONE	REVISION
				A1
		CONTACT SOCKET, SIZE 4, 6 AWG		SHEET 1 OF 1

单击下面可查看定价，库存，交付和生命周期等信息

[>>Amphenol\(安费诺\)](#)