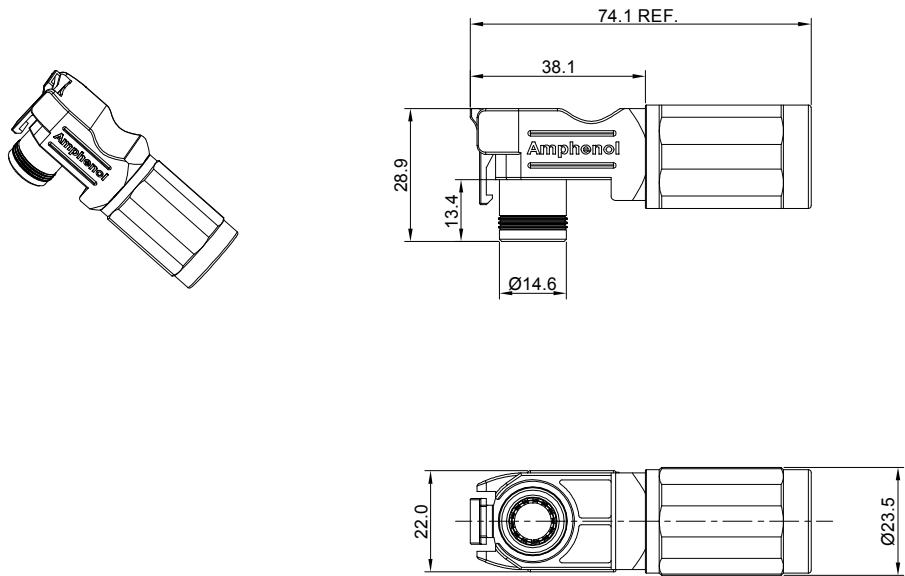


REVISIONS					
REV	ECO	DESCRIPTION	DATE	BY	APPR
A1	-	FIRST RELEASE	Jul.31,18	White	Tommy
A2	-	UPDATED DRAWING	Dec.11,18	White	Tommy



NOTES: UNLESS OTHERWISE SPECIFIED

- MATERIAL:
 - HOUSING: THERMOPLASTIC UL94 V0
 - SEAL: SILICONE RUBBER
 - NUT: THERMOPLASTIC UL94 V0
 - CONTACT: COPPER ALLOY,SILVER PLATED
- SPECIFICATIONS:
 - CURRENT RATING: 50 mm² @180 AMPS
35 mm² @130 AMPS
 - OPERATING VOLTAGE: 1000V AC/DC
 - OPERATING TEMPERATURE: -55°C TO +125°C
 - CONTACT RESISTANCE: 0.3 mΩ
 - DEGREE OF PROTECTION: IP67 (MATED CONDITION)
 - MATING CYCLE DURABILITY: 50 CYCLES
 - RoHS COMPLIANT
- ALL DIMENSIONS ARE FOR REFERENCE USE ONLY.

ITEM	P/N	CABLE OD RANGE	WIRE RANGE	NOTE
1	ATHP061RS08NN-50	14.2~15.2 mm	50 mm ²	BLACK
2	ATHP061RS08NN-35	10.7~11.7 mm	35 mm ²	BLACK
3	ATHP061RS08NN-50-ORG	14.2~15.2 mm	50 mm ²	ORANGE
4	ATHP061RS08NN-35-ORG	10.7~11.7 mm	35 mm ²	ORANGE

QUANTITY	PART NUMBER	DESCRIPTION	ITEM
MATERIALS LIST			
UNLESS OTHERWISE SPECIFIED 1) All dimensions are in metric(mm). 2) Tolerances are as follows: 1 PL DEC ±0.30 Fractions ±1/64 2 PL DEC ±0.15 3 PL DEC ±0.08 3) Note reference =		SIGNATURES DATE DRAWN: White Dec.11,18 CHECKED: Tod Dec.11,18 APPROVAL: Tommy Dec.11,18 ENGINEER: CUSTOMER:	
MATERIAL SPECIFICATIONS: PROCESS SPECIFICATIONS: NEXT ASSY:		 Sine Systems - www.amphenol-sine.com 44724 Morley Drive Clinton Township, MI 48036 ATHP,8MM, RIGHTANGLE PLUG	
THIS DRAWING IS SUPPLIED FOR INFORMATION ONLY. DESIGN FEATURES, SPECIFICATIONS AND PERFORMANCE DATA SHOWN HEREON ARE THE PROPERTY OF THE AMPHENOL CORPORATION. NO RIGHTS OF REPRODUCTION ARE IMPLIED. ALL DIMENSIONS ARE SUBJECT TO NORMAL MANUFACTURING VARIATIONS.		SCALE: NONE SIZE C- DWG NO: ATHP061RS08NN-xx-x REVISION A2 SHEET 1 OF 1	

TITLE: ATHP,8MM,RIGHTANGLE PLUG
 DWG NO.: ATHP061RS08NN-xx-x
 REV: A2
 SH: 1
 OF: 1

单击下面可查看定价，库存，交付和生命周期等信息

[>>Amphenol\(安费诺\)](#)