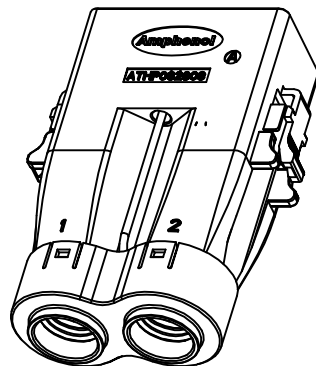
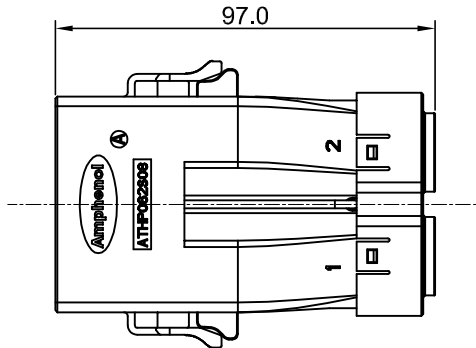
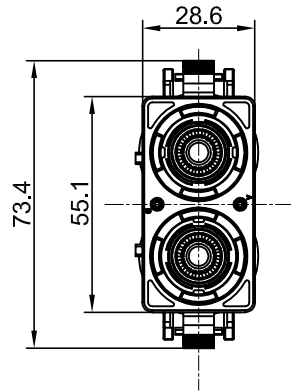


REVISIONS					
REV	ECO	DESCRIPTION	DATE	BY	APPR
A1	-	RELEASE NEW DRAWING	Aug.31,2016	Tod	Tommy
A2	-	UPDATE THE STRUCTURES	Oct.24,2016	Regan	Tommy



NO.	PART NUMBER	Cable OD Range
1	ATHP062S08EL16-50S1	15.5~16.5 mm

OTHER OD RANGE IS OPTION

NOTES: UNLESS OTHERWISE SPECIFIED

1. MATERIAL:

- 1.1 HOUSING: THERMOPLASTIC UL 94V0
- 1.2 SEAL: SILICONE RUBBER
- 1.3 POWER CONTACT: COPPER ALLOY, SILVER PLATED
- 1.4 SHIELDING: COPPER ALLOY, TIN PLATED

2. SPECIFICATIONS:

- 2.1 CURRENT RATING: 50mm<sup>2</sup>@180 AMPS
- 2.2 VOLTAGE RATING: 1000 V AC/DC
- 2.3 OPERATING TEMPERATURE: -40°C TO +130°C
- 2.4 DIELECTRIC WITHSTANDING VOLTAGE: LESS THAN 2 MILLIAMPS CURRENT LEAKAGE @ 3000 VOLTS AC.
- 2.5 INSULATION RESISTANCE: 500 MEGOHMS MIN@25°C.
- 2.6 DEGREE OF PROTECTION: IP67 (MATED CONDITION)
- 2.7 MATING CYCLE DURABILITY: 100 CYCLES
- 2.8 RoHS COMPLIANT

3. SIGNAL CONTACT: RT SERIES 14# SOCKET CONTACT  
POWER CONTACT: SC000383-8

4. ALL DIMENSIONS ARE FOR REFERENCE USE ONLY.

TITLE: ATHP PLUG 2 PIN,8MM HVIL WITH EMC SHIELDING  
DWG NO: ATHP062S08EL16-50SX  
REV: A2  
SH: 1  
OF: 1

PART NUMBER		DESCRIPTION		ITEM
QUANTITY		MATERIALS LIST		
UNLESS OTHERWISE SPECIFIED 1) All dimensions are in metric(mm). 2) Tolerances are as follows: 1 PL DEC ±0.30 2 PL DEC ±0.15 3 PL DEC ±0.08 3) Note reference =		SIGNATURES	DATE	 Sine Systems - www.amphenol-sine.com 44724 Morley Drive Clinton Township, MI 48036 ATHP, PLUG,2 PIN,8MM HVIL WITH EMC SHIELDING
CHECKED: 1 PL DEC ±0.30 2 PL DEC ±0.15 3 PL DEC ±0.08		Regan	Oct.24,2016	
MATERIAL SPECIFICATIONS:		ENGINEER:		
PROCESS SPECIFICATIONS:		APPROVAL:		
NEXT ASSY:		CUSTOMER:		
THIS DRAWING IS SUPPLIED FOR INFORMATION ONLY. DESIGN FEATURES, SPECIFICATIONS AND PERFORMANCE DATA SHOWN HEREON ARE THE PROPERTY OF THE AMPHENOL CORPORATION. NO RIGHTS OF REPRODUCTION ARE IMPLIED. ALL DIMENSIONS ARE SUBJECT TO NORMAL MANUFACTURING VARIATIONS.		SCALE: NONE	SIZE: B C-	DWG NO: ATHP062S08EL16-50SX
				REVISION: A2
				SHEET 1 OF 1

单击下面可查看定价，库存，交付和生命周期等信息

[>>Amphenol\(安费诺\)](#)