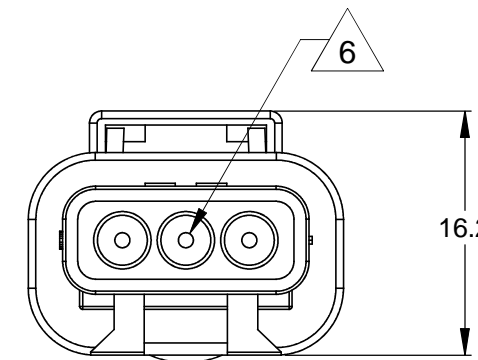
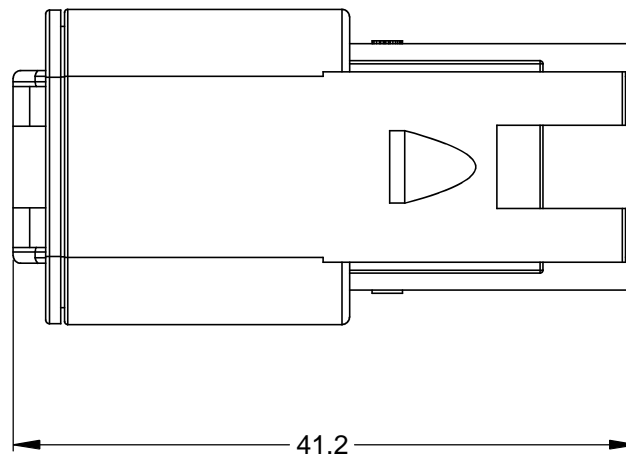
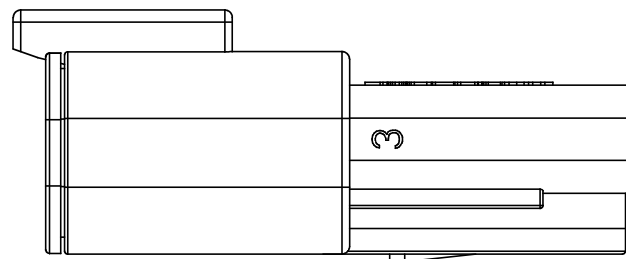
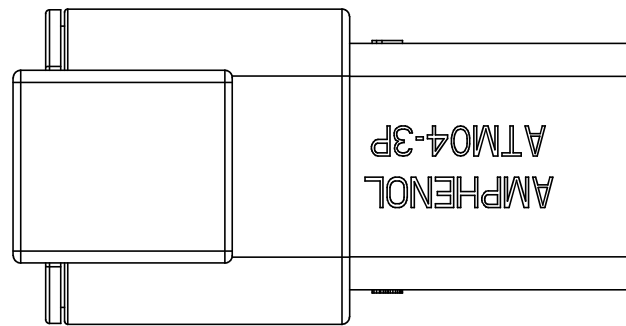
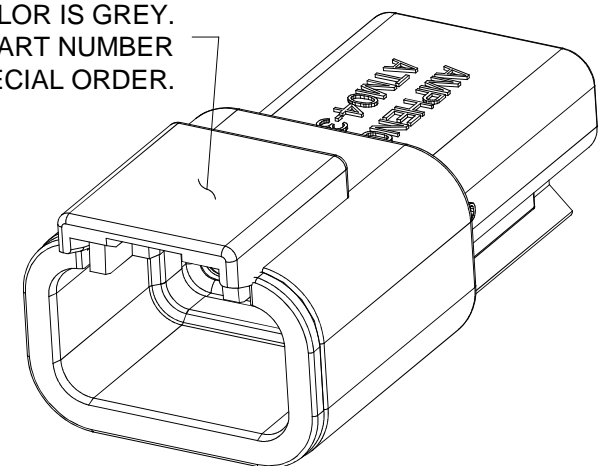


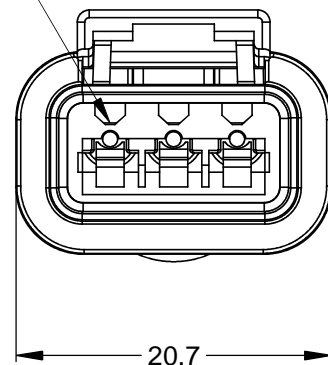
| REVISIONS |     |                        |           |     |      |
|-----------|-----|------------------------|-----------|-----|------|
| REV       | ECO | DESCRIPTION            | DATE      | BY  | APPR |
| A3        | -   | RELEASE NEW DWG FORMAT | 18/JUN/13 | DRP | -    |



STANDARD MOLDED COLOR IS GREY.  
ADDITIONAL COLORS SHOWN IN PART NUMBER  
CHART ARE AVAILABLE VIA SPECIAL ORDER.



REQUIRES CONTACT  
RETENTION WEDGE AWM-3P



NOTES: UNLESS OTHERWISE SPECIFIED

- MATERIAL:  
HOUSING: THERMOPLASTIC  
SEAL: SILICONE RUBBER
- MODIFICATIONS: N/A
- SPECIFICATIONS:
  - CURRENT RATING: 7.5 AMPS
  - OPERATING TEMPERATURE: -55°C TO +125°C
  - DIELECTRIC WITHSTANDING VOLTAGE: LESS THAN 2 MILLIAMPS CURRENT LEAKAGE @ 1500 VOLTS AC.
  - INSULATION RESISTANCE: 1000 MEGOHMS MIN @ 25°C.
  - MOISTURE RESISTANCE: IP67 ( MATED CONDITION )
  - MATING CYCLE DURABILITY: 100 CYCLES
  - RoHS COMPLIANT
- MATING PART: ATM06-3S\* PLUG  
(\* = MODIFICATIONS AND COLORS)
- ALL DIMENSIONS ARE FOR REFERENCE USE ONLY.

6 CONTACT SIZE AND REAR SEAL WIRE RANGE:

| CONTACT SIZE | MIN. INSUL O.D.      | MAX. INSUL O.D.      | TYPICAL WIRE RANGE |
|--------------|----------------------|----------------------|--------------------|
| 20           | 1.35 mm<br>(.053 in) | 3.05 mm<br>(.120 in) | 16 - 22 AWG        |

| PART NUMBER CHART |              |
|-------------------|--------------|
| COLOR             | PART NUMBER  |
| GREY              | ATM04-3P     |
| BLACK             | ATM04-3P-BLK |
| BLUE              | ATM04-3P-BLU |
| BROWN             | ATM04-3P-BRN |
| GREEN             | ATM04-3P-GRN |
| RED               | ATM04-3P-RED |
| WHITE             | ATM04-3P-WHT |
| YELLOW            | ATM04-3P-YEL |

| SEE PART NUMBER CHART                                                                                                                                                                                                                      |             | DESCRIPTION |  | ITEM                                                                                                                                                          |
|--------------------------------------------------------------------------------------------------------------------------------------------------------------------------------------------------------------------------------------------|-------------|-------------|--|---------------------------------------------------------------------------------------------------------------------------------------------------------------|
| QUANTITY                                                                                                                                                                                                                                   | PART NUMBER | DESCRIPTION |  | ITEM                                                                                                                                                          |
| <p>UNLESS OTHERWISE SPECIFIED</p> <p>1) All dimensions are in metric(mm).<br/>2) Tolerances are as follows:<br/>1 PL DEC ±0.30<br/>2 PL DEC ±0.15<br/>3 PL DEC ±0.08</p> <p>Fractions ±1/64<br/>Angles ±1°</p> <p>3) Note reference = </p> |             |             |  |                                                                                                                                                               |
| SIGNATURES                                                                                                                                                                                                                                 |             | DATE        |  | <p><b>Amphenol</b></p> <p>Sine Systems - www.amphenol-sine.com<br/>44724 Morley Drive<br/>Clinton Township, MI 48036</p> <p>RECEPTACLE, 3 PIN, ATM SERIES</p> |
| DRAWN: D.PARKS                                                                                                                                                                                                                             |             | 18/JUN/13   |  |                                                                                                                                                               |
| CHECKED:                                                                                                                                                                                                                                   |             |             |  |                                                                                                                                                               |
| ENGINEER:                                                                                                                                                                                                                                  |             |             |  |                                                                                                                                                               |
| APPROVAL:                                                                                                                                                                                                                                  |             |             |  | <p>REVISION</p> <p>SIZE: <b>B C-</b> DWG NO: <b>ATM04-3P-XXX</b> REVISION <b>A3</b></p> <p>SCALE: <b>NONE</b> SHEET <b>1</b> OF <b>1</b></p>                  |
| CUSTOMER:                                                                                                                                                                                                                                  |             |             |  |                                                                                                                                                               |
| MATERIAL SPECIFICATIONS:                                                                                                                                                                                                                   |             |             |  |                                                                                                                                                               |
| PROCESS SPECIFICATIONS:                                                                                                                                                                                                                    |             |             |  |                                                                                                                                                               |
| NEXT ASSY:                                                                                                                                                                                                                                 |             |             |  |                                                                                                                                                               |

TITLE: RECEPTACLE, 3 PIN, ATM SERIES  
DWG NO: ATM04-3P-XXX  
REV: A3  
SH: 1  
OF: 1

单击下面可查看定价，库存，交付和生命周期等信息

[>>Amphenol\(安费诺\)](#)