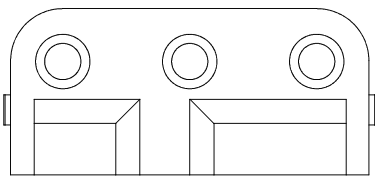
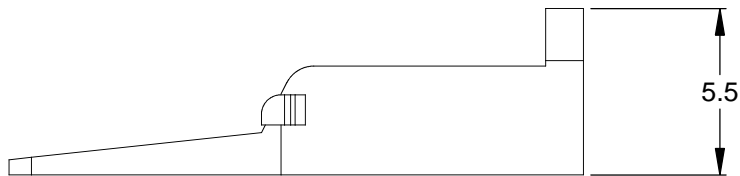
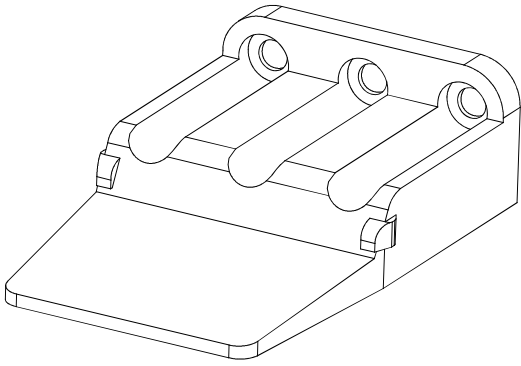
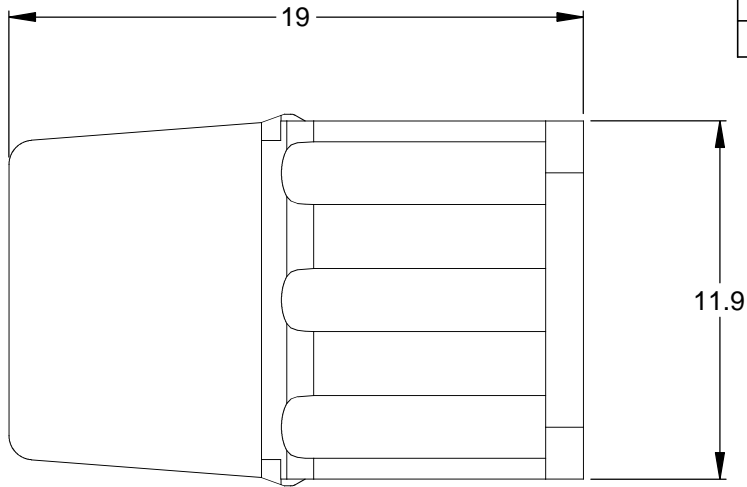


REVISIONS					
REV	ECO	DESCRIPTION	DATE	BY	APPR
A3		RELEASE NEW DWG FORMAT	24/JUL/13	DRP	



NOTES: UNLESS OTHERWISE SPECIFIED

- 1. MATERIAL: THERMOPLASTIC; COLOR: ORANGE
- 2. RoHS COMPLIANT
- 3. CAVITIES: 3
- 4. KEYED: N/A
- 5. USE WITH CONNECTORS: ATM06-3S\*  
(\* = MODIFICATIONS AND COLORS)
- 6. ALL DIMENSIONS ARE FOR REFERENCE USE ONLY.

AWM-3S		PART NUMBER		DESCRIPTION		ITEM							
QUANTITY		MATERIALS LIST											
UNLESS OTHERWISE SPECIFIED		SIGNATURES		DATE		<h1 style="text-align: center;">Amphenol</h1> <p style="text-align: center;">Sine Systems - www.amphenol-sine.com 44724 Morley Drive Clinton Township, MI 48036</p> <p style="text-align: center;"><b>S-WEDGELOCK, 3 POSITION, ATM SERIES</b></p>							
1) All dimensions are in metric(mm). 2) Tolerances are as follows: 1 PL DEC ±0.30 2 PL DEC ±0.15 3 PL DEC ±0.08 Fractions ±1/64 Angles ±1°		DRAWN: D.PARKS		24/JUL/13									
3) Note reference =		CHECKED:											
MATERIAL SPECIFICATIONS:		ENGINEER:											
PROCESS SPECIFICATIONS:		APPROVAL:											
NEXT ASSY:		CUSTOMER:											
		THIS DRAWING IS SUPPLIED FOR INFORMATION ONLY. DESIGN FEATURES, SPECIFICATIONS AND PERFORMANCE DATA SHOWN HEREON ARE THE PROPERTY OF THE AMPHENOL CORPORATION. NO RIGHTS OF REPRODUCTION ARE IMPLIED. ALL DIMENSIONS ARE SUBJECT TO NORMAL MANUFACTURING VARIATIONS.		<table border="1"> <tr> <td>SIZE</td> <td>TYPE</td> <td>DWG NO:</td> <td>REVISION</td> </tr> <tr> <td><b>B</b></td> <td><b>C-</b></td> <td><b>AWM-3S</b></td> <td><b>A3</b></td> </tr> </table>		SIZE	TYPE	DWG NO:	REVISION	<b>B</b>	<b>C-</b>	<b>AWM-3S</b>	<b>A3</b>
SIZE	TYPE	DWG NO:	REVISION										
<b>B</b>	<b>C-</b>	<b>AWM-3S</b>	<b>A3</b>										
		SCALE: NONE		SHEET 1 OF 1									

单击下面可查看定价，库存，交付和生命周期等信息

[>>Amphenol\(安费诺\)](#)