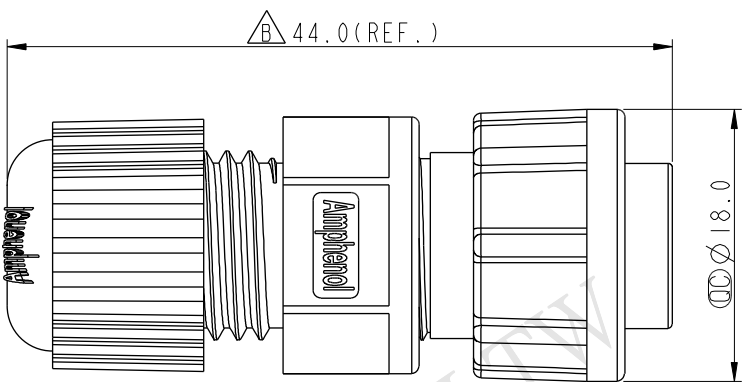
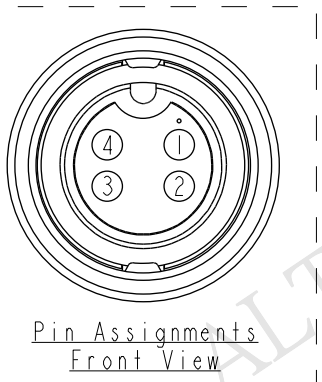
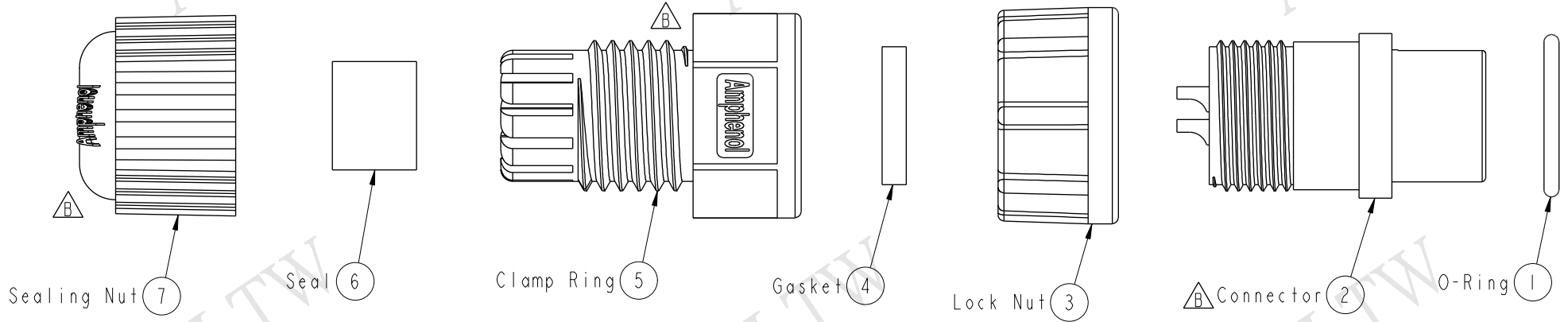
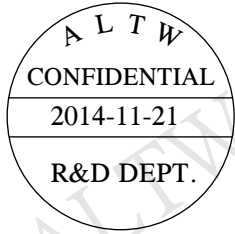


| | | | | |
|------|------------|------------|-------|-------------------------|
| REV. | ECN NO. | DATE | SIGN | DESCRIPTION |
| B | LE314C0013 | 2014/11/21 | Vicky | Update Logo & Dimension |



- Note:
- * \varnothing Important Dimension To Check.
 - * Waterproof Rate: IP67
 - * Housing: Nylon+GF, Black
 - * Male Pin: Copper Alloy, Gold Plated
 - * O-Ring: EPDM, Black
 - * Lock Nut: Nylon+GF, Black
 - * Gasket: EPDM, Black
 - * Clamp Ring: Nylon, Black
 - * Seal: EPDM, Black
 - * Sealing Nut: Nylon, Black
 - * Seal For Cable OD: $\varnothing 4.5\text{mm} \sim \varnothing 6.5\text{mm}$
(防水墊圈線徑: $\varnothing 4.5\text{mm} \sim \varnothing 6.5\text{mm}$)
 - * One Set Unassembled In One PE Bag
(每一組未組裝, 放置於一個PE袋, 並封口)

| | | | | | | | | |
|------------------------------------------------------------------------------|------------------------------------------------------------------------------|----------------|---------------------------------|--------------------------------------|---------------------|-----------------------------|-------------------|--------------------|
| UNIT:mm TOLERANCE .X ±0.25 .XX ±0.1 .XXX ±0.05 ANGLES ±1° | TITLE 4Pin Female Connector Male Pin for Field Installation, Lock Type | | | Amphenol LTW 安費諾亮泰企業股份有限公司 | | ITEM NO BD-04BFMA-LL7001 | DRAWN BY Vicky | DATE 2014-11-21 |
| | SCALE 2:1 | SIZE A4 | SHEET 1 OF 1 | | | DWG NO BD-04BFMA-LL7001 | CHECKED BY Sam | DATE 2014-11-21 |
| | REV. B | WC-REV. A.2 | \varnothing : Inspection item | CUSTOMER ALTW | APPROVED BY Rita | DATE 2014-11-21 | | |
| | | | | | | | | |

THIS DOCUMENT IS SUBJECT TO CHANGE WITHOUT NOTICE. IT IS CONFIDENTIAL AND A PROPERTY OF Amphenol LTW. DISCLOSURE TO THIRD PARTY HAS TO BE AUTHORIZED BY Amphenol LTW.

单击下面可查看定价，库存，交付和生命周期等信息

[>>Amphenol\(安费诺\)](#)