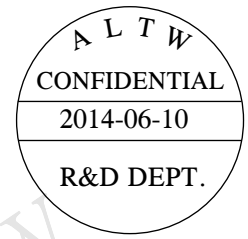
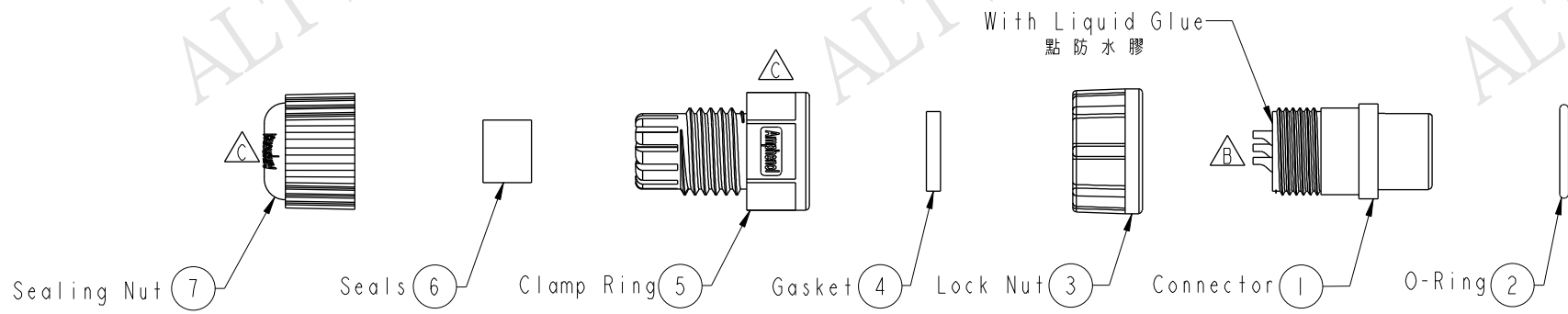
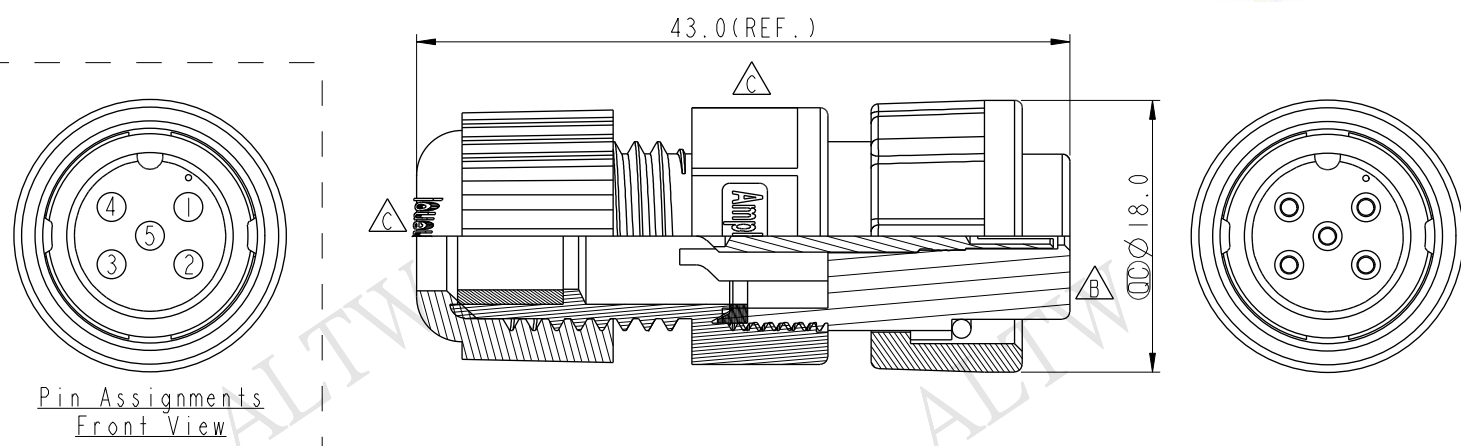


| REV. | ECN NO. | DATE | SIGN | DESCRIPTION |
|------|------------|------------|----------|-------------|
| B | LEN-0C0586 | 2010/11/29 | Ivan | Change View |
| C | LEN1460030 | 2014-06-10 | Jason Ou | Change LOGO |



- Note:
- * \varnothing Important Dimension To Check.
 - * Waterproof Rate : IP67
 - * Housing: Nylon+GF, Black
 - * Female Pin: Copper Alloy, Gold Plated
 - * O-Ring: EPDM, Black
 - * Lock Nut: Nylon+GF, Black
 - * Gasket: EPDM, Black
 - * Seals: EPDM, Black
 - * Clamp Ring: Nylon, Black
 - * Sealing Nut: Nylon, Black
 - * Seals for Cable OD: $\varnothing 4.5\text{mm} \sim \varnothing 6.5\text{mm}$
(防水墊圈線徑: $\varnothing 4.5\text{mm} \sim \varnothing 6.5\text{mm}$)
 - * One Set Unassembled in One PE Bag
(每一組未組裝, 放置於一個PE袋, 並封口)



| | | | | | | | | |
|--|---|----------------|---------------------------------|--------------------------------------|-------------------------|-----------------------------|----------------------|--------------------|
| UNIT:mm TOLERANCE .X ±0.25 .XX ±0.1 .XXX ±0.05 ANGLES ±1° | TITLE Standard 5Pin F Conn. For Assy | | | Amphenol LTW 安費諾亮泰企業股份有限公司 | | ITEM NO BD-05BFFA-LL7001 | DRAWN BY Jason Ou | DATE 2014-06-10 |
| | SCALE 1:1 | SIZE A4 | SHEET 1 OF 1 | | | DWG NO BD-05BFFA-LL7001 | CHECKED BY Ivan | DATE 2014-06-10 |
| | REV. C | WC-REV. A.2 | \varnothing : Inspection item | CUSTOMER ALTW | APPROVED BY Kevin Hu | DATE 2014-06-10 | | |
| | | | | | | | | |

THIS DOCUMENT IS SUBJECT TO CHANGE WITHOUT NOTICE. IT IS CONFIDENTIAL AND A PROPERTY OF AMPHENOL LTW. DISCLOSURE TO THIRD PARTY HAS TO BE AUTHORIZED BY AMPHENOL LTW.

单击下面可查看定价，库存，交付和生命周期等信息

[>>Amphenol\(安费诺\)](#)