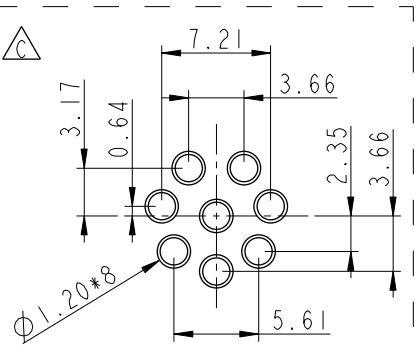
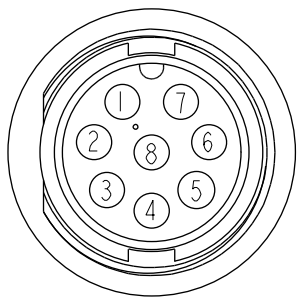
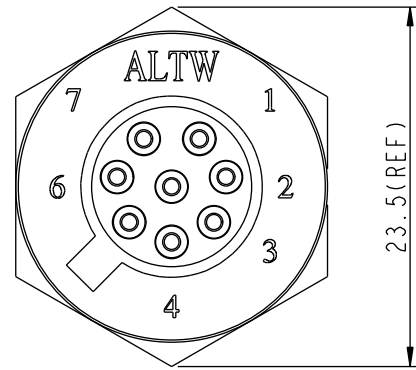
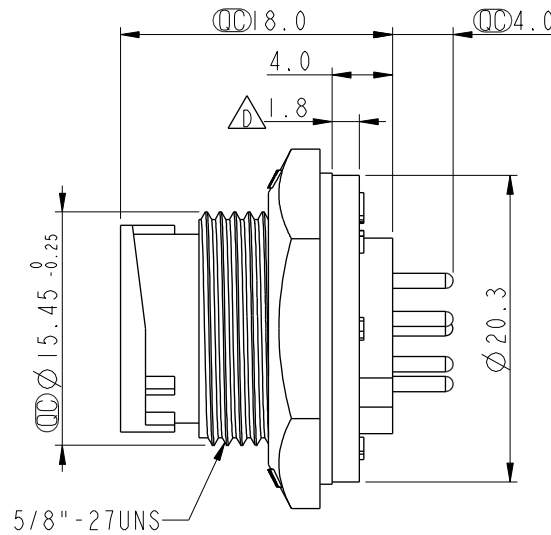
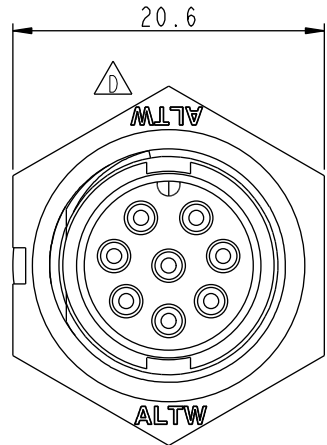


ALTW  
 CONFIDENTIAL  
 2019-02-25  
 R&D DEPT.

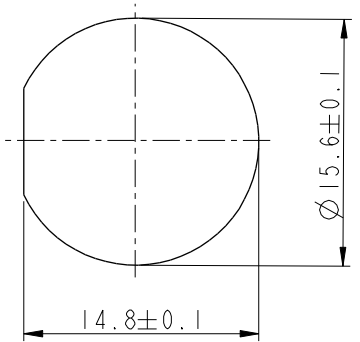
REV.	ECN NO.	DATE	SIGN	DESCRIPTION
C	LEN12B0049	2012/11/09	Sam	Modify PCB Layout.
D	LEN1470083	2014/07/03	Jason.Yu	Change Nut Logo
E	CI90273	2019/02/25	Ruru	Modify Note



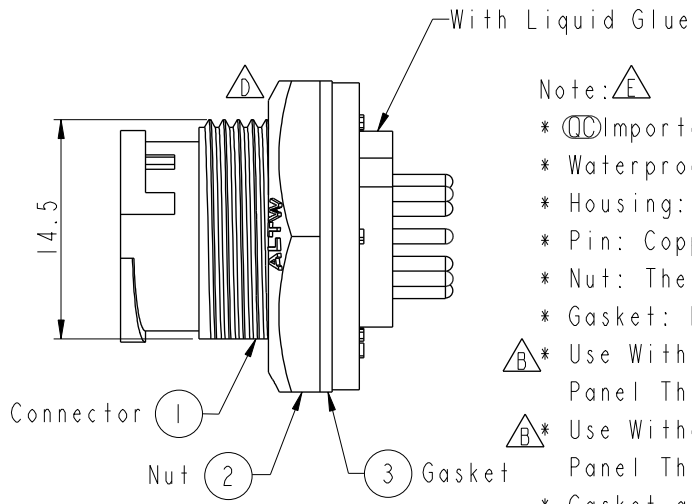
8 Pin Male Connector  
 Male Pin PCB Layout



Pin Assignments  
 Front View



Recommended Panel Cut-out



- Note:  $\triangle$
- \*  $\odot$  Important Dimension To Check.
  - \* Waterproof Rate: IP67, Unmated
  - \* Housing: Thermoplastic, Black
  - \* Pin: Copper Alloy, Gold Plated
  - \* Nut: Thermoplastic, Black
  - \* Gasket: Rubber, Black
  - $\triangle B$  \* Use With Waterproof Cap Or Dust Cap  
 Panel Thickness Max: 3.0mm
  - $\triangle A$  \* Use Without Waterproof Cap Or Dust Cap  
 Panel Thickness Max: 4.5mm
  - \* Gasket and Nut are packed separately in PE bags.

UNIT:mm	
TOLERANCE	
.X	±0.25
.XX	±0.1
.XXX	±0.05
ANGLES	±1°

TITLE Standard Panel Lock 8Pin M Conn M Pin			
SCALE 2:1	SIZE A4	SHEET 1 OF 1	
REV. E	WC-REV. B.4	$\odot$ : Inspection item	

**Amphenol LTW**  
 安費諾亮泰企業股份有限公司

ITEM NO. BD-08PMMP-LC7001	DRAWN BY Ruru	DATE 2019-02-25
DWG NO. BD-08PMMP-LC7001	CHECKED BY Rita	DATE 2019-02-25
CUSTOMER ALTW	APPROVED BY Max	DATE 2019-02-25

THIS DOCUMENT IS SUBJECT TO CHANGE WITHOUT NOTICE. IT IS CONFIDENTIAL AND A PROPERTY OF Amphenol LTW. DISCLOSURE TO THIRD PARTY HAS TO BE AUTHORIZED BY Amphenol LTW.

单击下面可查看定价，库存，交付和生命周期等信息

[>>Amphenol\(安费诺\)](#)