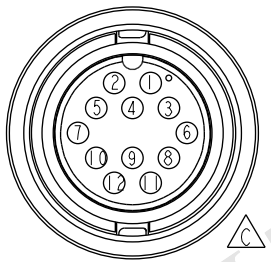
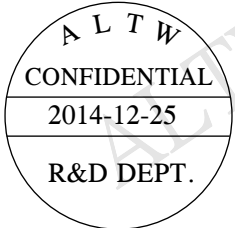
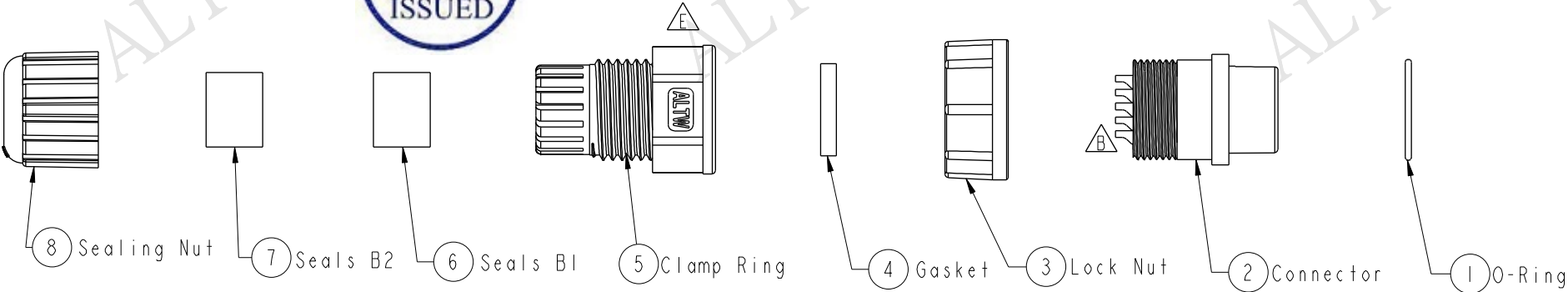
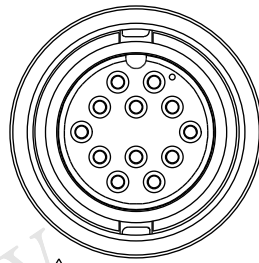
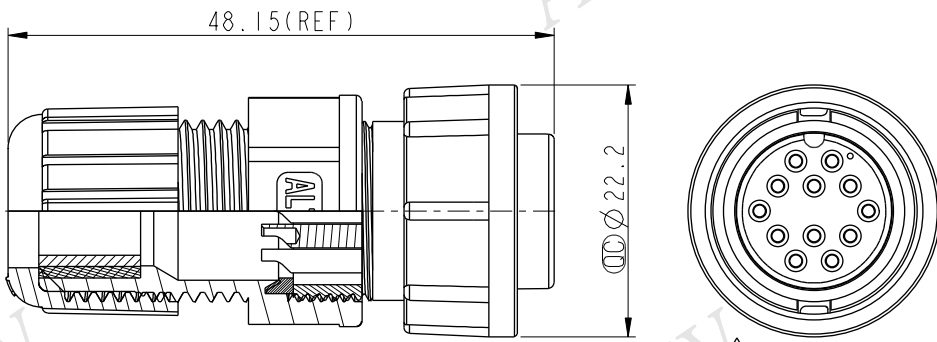


REV.	ECN NO.	DATE	SIGN	DESCRIPTION
C	LEN-0C0770	2010/12/21	WuHaiYan	Modify Pin digit Position
D	LEN1260009	2012/05/30	Vicky	Modify Note.
E	LEN1530246	2014/12/25	Ruru	Change Logo



Pin Assignments
Front View 前視圖



Conn.

- Note:
- * Ⓞ Important Dimension To Check.
 - * Waterproof Rate: IP67
 - * Housing: Nylon+GF, Black.
 - * Female Pin: Copper Alloy, Gold Plated.
 - * O-Ring: EPDM, Black.
 - * Lock Nut: Nylon+GF, Black.
 - * Ⓧ Gasket: Silicone, Black
 - * Ⓧ Seals: EPDM, Black.
 - * Clamp Ring: Nylon, Black.
 - * Sealing Nut: Nylon, Black.
 - * Seals B1 for Cable OD: $\text{⌀}7.6\text{mm} \sim \text{⌀}9.6\text{mm}$
 - * Seals B2 for Cable OD: $\text{⌀}4.0\text{mm} \sim \text{⌀}7.6\text{mm}$
 - * One Set Unassembled In One PE Bag.

UNIT:mm TOLERANCE .X ±0.25 .XX ±0.1 .XXX ±0.05 ANGLES ±1°	TITLE Middle, Assy Lock 12Pin F Conn F Pin			Amphenol LTW 安費諾亮泰企業股份有限公司		ITEM NO CD-12BFFA-LL7001	DRAWN BY Ruru	DATE 2014-12-25
	SCALE 1:1	SIZE A4	SHEET 1 OF 1	DWG NO CD-12BFFA-LL7001		CHECKED BY Rita	DATE 2014-12-25	
	REV. E	WC-REV. A.2	Ⓞ : Inspection item	CUSTOMER ALTW	APPROVED BY Win	DATE 2014-12-25		
								8 FNN10702-01-02A1

THIS DOCUMENT IS SUBJECT TO CHANGE WITHOUT NOTICE. IT IS CONFIDENTIAL AND A PROPERTY OF AMPHENOL LTW. DISCLOSURE TO THIRD PARTY HAS TO BE AUTHORIZED BY AMPHENOL LTW.

单击下面可查看定价，库存，交付和生命周期等信息

[>>Amphenol\(安费诺\)](#)