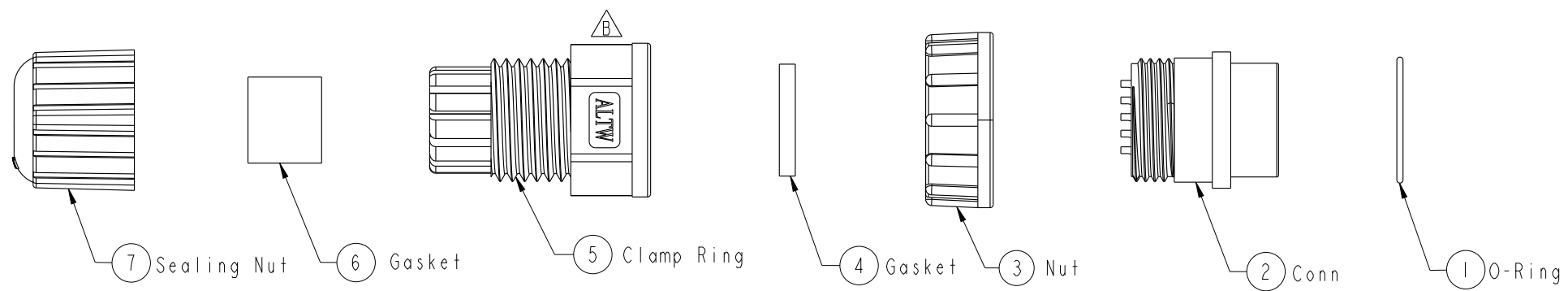


THIS DOCUMENT IS SUBJECT TO CHANGE WITHOUT NOTICE. IT IS CONFIDENTIAL AND A PROPERTY OF AMPHENOL LTW. DISCLOSURE TO THIRD PARTY HAS TO BE AUTHORIZED BY AMPHENOL LTW.

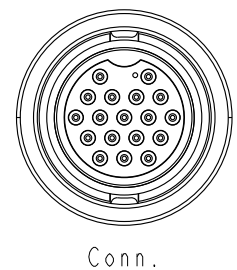
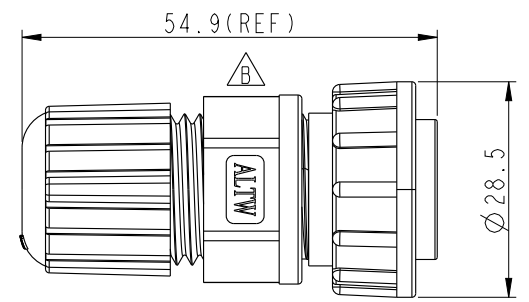
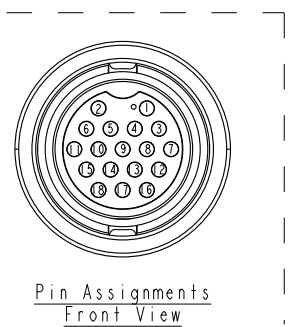
REV.	ECN NO.	DATE	SIGN	DESCRIPTION
B	LEN1530158	2014/12/17	Jinhai	Change Logo
C	LEN1670221	2016/07/18	Joy	Add The Color Of The Gasket



ALTW
CONFIDENTIAL
2016-07-18
R&D DEPT.

ALTW
DCC. DEPT.
CONFIDENTIAL
2016.07.21
ISSUED

- Note:
- * \varnothing Important Dimension To Check.
 - * Waterproof Rate: IP67
 - * Housing: Nylon+GF, Black
 - * Pin: Copper Alloy, Gold Plated
 - * Ring: EPDM, Black
 - * \triangle Gasket: Silicone, Black
 - * Nut: Nylon+GF, Black
 - * Clamp Ring: Nylon+GF, Black
 - * Sealing Nut: Nylon+GF, Black
 - * Seal: EPDM, Black
 - * Seals For Cable OD: \varnothing 5.5mm~10.8mm



UNIT:mm		
TOLERANCE	.X ± 0.25	
	.XX ± 0.1	
	.XXX ± 0.05	
ANGLES	$\pm 1^\circ$	

TITLE Large Assy 18Pin F Conn M Pin			
SCALE 1:1	SIZE A4	SHEET 1 OF 1	
REV. C	WC-REV. A.3	\varnothing : Inspection item	

Amphenol LTW
安費諾亮泰企業股份有限公司

ITEM NO DD-18BFMA-LL7001	DRAWN BY Joy	DATE 2016-07-18
DWG NO DD-18BFMA-LL7001	CHECKED BY Ma Fei	DATE 2016-07-18
CUSTOMER ALTW	APPROVED BY Jerry	DATE 2016-07-18

单击下面可查看定价，库存，交付和生命周期等信息

[>>Amphenol\(安费诺\)](#)