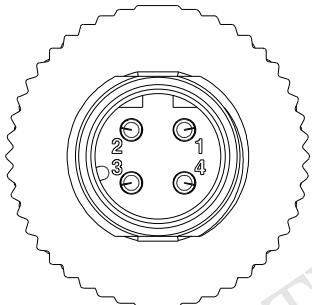
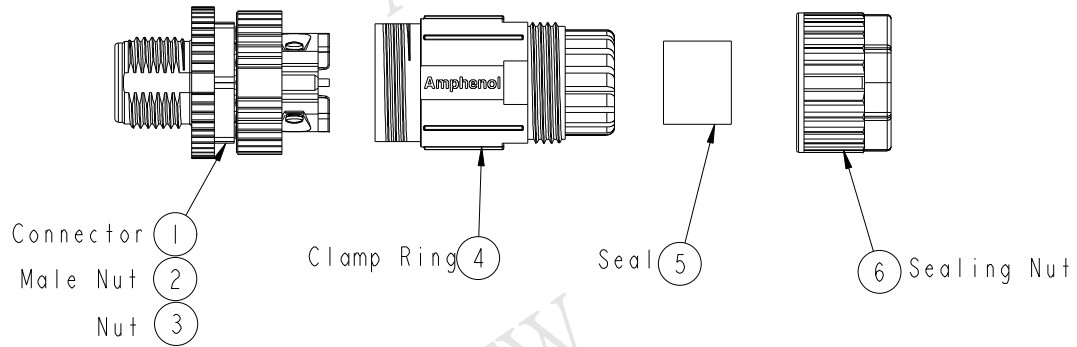


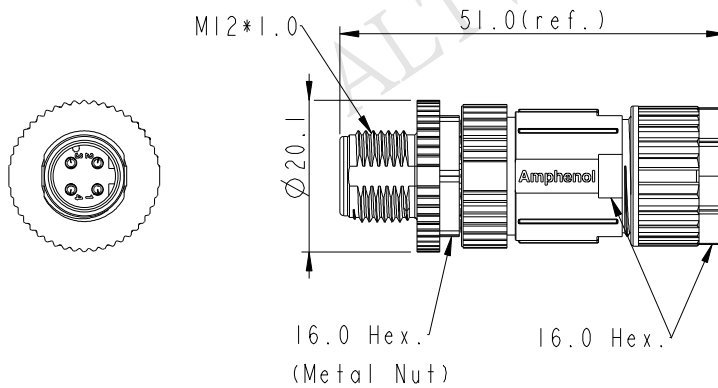
| REV. | ECN NO. | DATE | SIGN | DESCRIPTION |
|------|-----------------|------------|------|------------------------|
| A | Initial Release | 2015/10/12 | Mila | Change Rev. I To Rev.A |

ALTW
CONFIDENTIAL
 2015-10-12
 R&D DEPT.

ALTW
 DCC. DEPT.
 CONFIDENTIAL
 2015.10.28
 ISSUED



Pin Assignments
 Front View



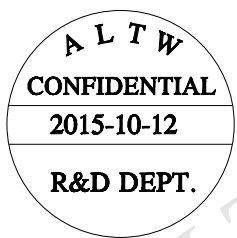
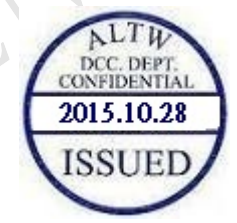
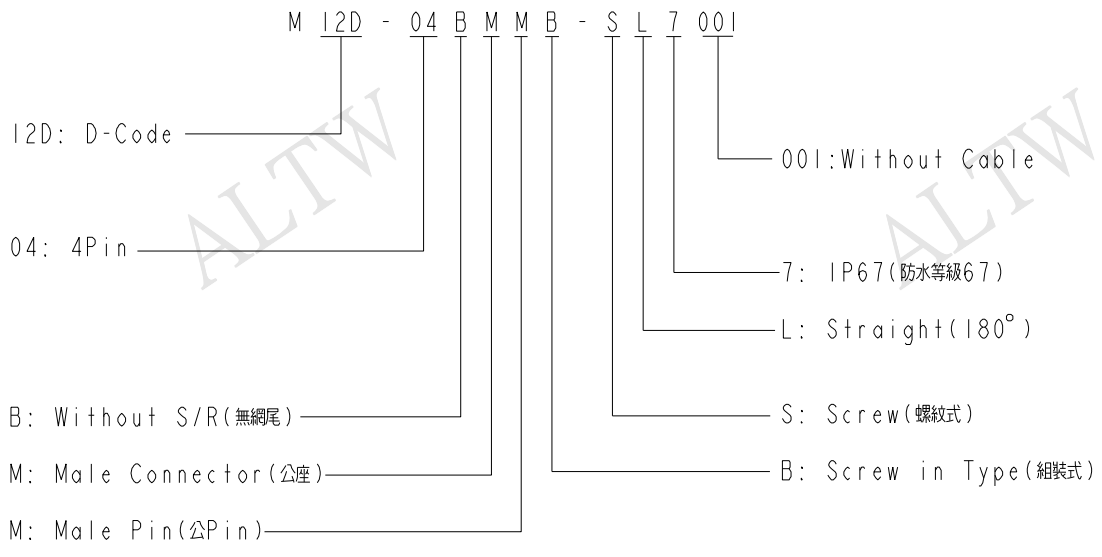
| | | |
|-----------|--|--|
| UNIT:mm | | |
| TOLERANCE | | |
| ±0.5mm | | |

| | | |
|--|----------------|---------------------|
| TITLE M12 D-Code Unshielded Assy 4PIN M Conn M Pin | | |
| SCALE 1:1 | SIZE A4 | SHEET 1 OF 2 |
| REV. A | WC-REV. A.2 | QC: Inspection item |

Amphenol LTW
 安費諾亮泰企業股份有限公司

| | | |
|-------------------------------|----------------------|--------------------|
| ITEM NO M12D-04BMMB-SL7001 | DRAWN BY Mila | DATE 2015-10-12 |
| DWG NO M12D-04BMMB-SL7001 | CHECKED BY Cary | DATE 2015-10-12 |
| CUSTOMER ALTW | APPROVED BY Jerry | DATE 2015-10-12 |

THIS DOCUMENT IS SUBJECT TO CHANGE WITHOUT NOTICE. IT IS CONFIDENTIAL AND A PROPERTY OF AMPHENOL LTW. DISCLOSURE TO THIRD PARTY HAS TO BE AUTHORIZED BY AMPHENOL LTW.



- Note:
- * \varnothing Important Dimension To Check.
 - * Waterproof Rate: IP67
 - * Housing: Nylon,Black
 - * Male Pin: Copper Alloy, Gold Plated
 - * Male Nut: Zinc Alloy, Nickel Plated
 - * Nut: PBT+PC,Black
 - * O-Ring: Silicon,Grey
 - * Clamp Ring: Nylon,Black
 - * Sealing Nut: PBT+PC,Black
 - * Seal: Silicon,Grey
 - * Seal For Cable OD: $\varnothing 4.0\text{mm} \sim \varnothing 8.0\text{mm}$
 - * Screws for Wire connection recommended
tightening torque: 0.61~0.84 kgf.cm / 0.059~0.082 N.m
 - * Applicable Wire gauge (Stranded wire cross section)
0.14mm² (26AWG) ~ 0.82mm² (18AWG)
 - * Mating Recommended tightening torque:
3~4 kgf.cm / 0.29~0.39 N.m
 - * Sealing-Nut Recommended tightening torque:
4~6 kgf.cm / 0.39~0.59 N.m
 - * Detailed applicable wire specifications may vary
depending on the actual wire construction.

| | | | | | | | |
|--|--|----------------|---------------------------------|------------------|-------------------------------|------------------------------|--------------------|
| UNIT:mm TOLERANCE $\pm 0.5\text{mm}$ | TITLE M12 D-Code Unshielded Assy 4Pin M Conn M Pin | | Amphenol LTW 安費諾亮泰企業股份有限公司 | | ITEM NO M12D-04BMMB-SL7001 | DRAWN BY Mila | DATE 2015-10-12 |
| | SCALE 1:1 | SIZE A4 | | | SHEET 2 OF 2 | DWG NO M12D-04BMMB-SL7001 | CHECKED BY Cary |
| | REV. A | WC-REV. A.2 | \varnothing : Inspection item | CUSTOMER ALTW | APPROVED BY Jerry | DATE 2015-10-12 | |

单击下面可查看定价，库存，交付和生命周期等信息

[>>Amphenol\(安费诺\)](#)