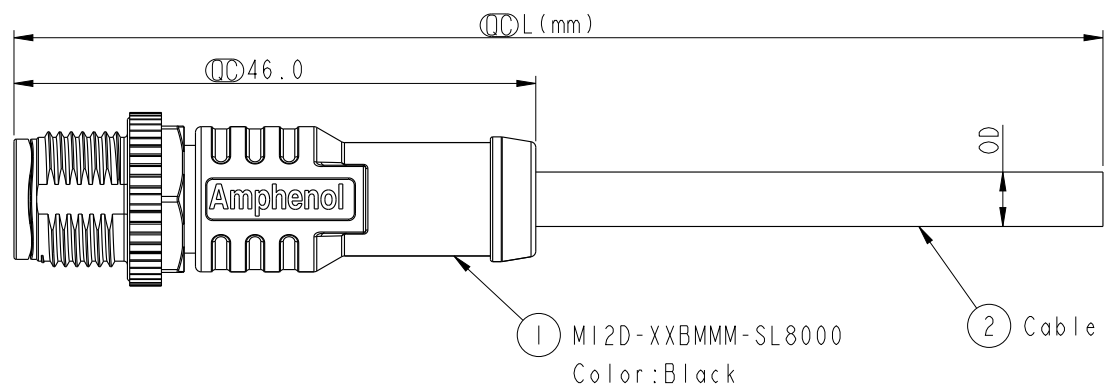


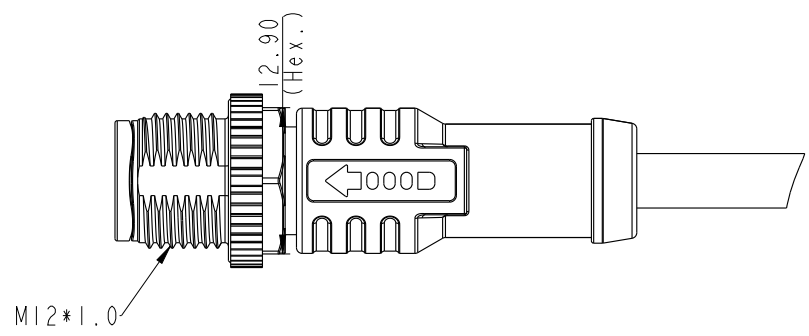
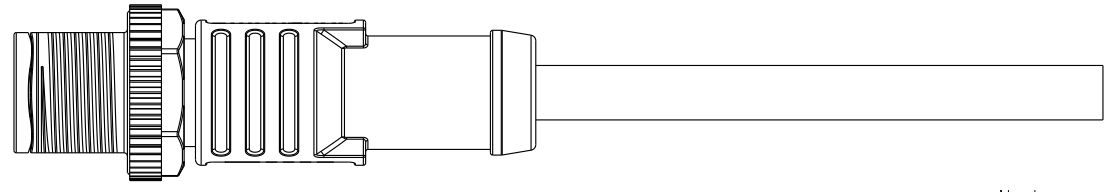
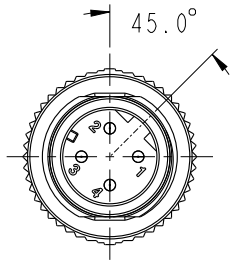
THIS DOCUMENT IS SUBJECT TO CHANGE WITHOUT NOTICE. IT IS CONFIDENTIAL AND A PROPERTY OF Amphenol LTW. DISCLOSURE TO THIRD PARTY HAS TO BE AUTHORIZED BY Amphenol LTW.

REV.	ECN NO.	DATE	SIGN	DESCRIPTION
A	Initial Release	2015/07/25	Feng_Li	Change Rev.01 To Rev.A
B	LEN16A0088-090	2016/10/14	Yulong_wang	Add 3, 5Pin, IP69K & Cat5e Cable.

ALTW
CONFIDENTIAL
2016-10-14
R&D DEPT.



ALTW
DCC. DEPT.
CONFIDENTIAL
2016.10.14
ISSUED



- Notes:
- * Ⓞ Important Dimension.
 - △ * Waterproof Rate: IP68, IP69K.
 - * Connector: PU+GF, Black.
 - * Male Pin: Copper Alloy, Gold Plated.
 - * Screw Nut: Zinc Alloy, Nickel Plated.
 - * Outer Mold: PU, Black.
 - △ * Cable: (A) UL2517, PVC Jacket, Yellow.
 - (B) UL20549, PUR Jacket, Black.
 - (D) UL2517, PVC Jacket, Black.
 - (E) CAT5E, PU Jacket, Black.
 - △ * Rated Voltage: 3 & 4Pin 250V dc. or ac.
 - 5Pin 60V dc. or ac.
 - * Rated Current: 4A
 - * Operating Temperature: -25~+85°C
 - * Cable Length Tolerance: 01M:±40mm
 - 02M~05M:±60mm
 - 06M~10M:±100mm
 - 11M~30M:±200mm
 - 31M~99M:±500mm

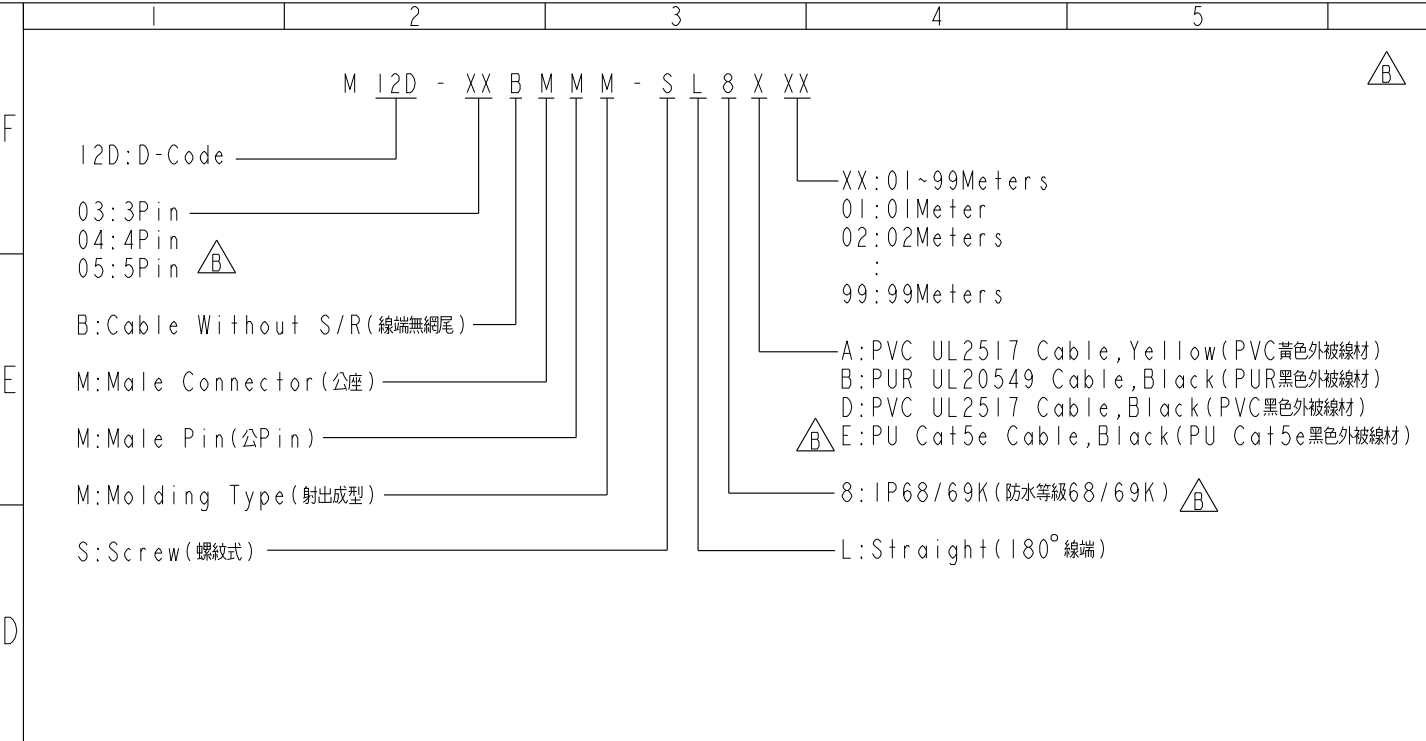
UNIT: mm		
TOLERANCE		
±0.5mm		

TITLE MI2 D Type Cable Male Conn.			
SCALE 3:2	SIZE A4	SHEET 1 OF 2	
REV. B	WC-REV. A.2	QC: Inspection item	

Amphenol LTW
安費諾亮泰企業股份有限公司

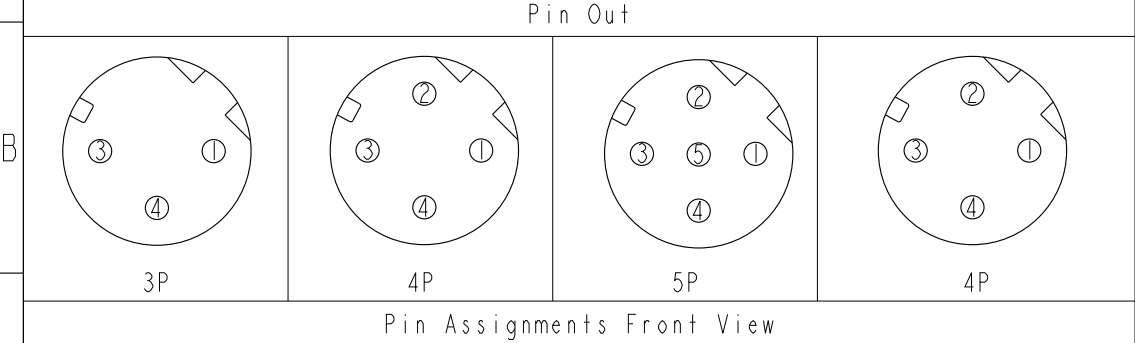
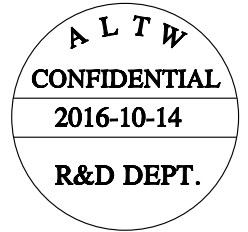
ITEM NO.	DRAWN BY Yulong_wang	DATE 2016-10-14
DWG NO. MI2D-XXBMMM-SL8XXX	CHECKED BY Jinhai	DATE 2016-10-14
CUSTOMER ALTW	APPROVED BY Jerry	DATE 2016-10-14

THIS DOCUMENT IS SUBJECT TO CHANGE WITHOUT NOTICE. IT IS CONFIDENTIAL AND A PROPERTY OF Amphenol LTW. DISCLOSURE TO THIRD PARTY HAS TO BE AUTHORIZED BY Amphenol LTW.



4P	PU	6.2	22	MI2D-04BMMM-SL8EXX
5P	PVC	5.1		MI2D-05BMMM-SL8DXX
4P		4.8		MI2D-04BMMM-SL8DXX
3P		4.5		MI2D-03BMMM-SL8DXX
5P	PUR	4.4		MI2D-05BMMM-SL8BXX
4P		4.0		MI2D-04BMMM-SL8BXX
3P	PVC	3.8		MI2D-03BMMM-SL8BXX
5P		5.1		MI2D-05BMMM-SL8AXX
4P		4.8		MI2D-04BMMM-SL8AXX
3P	4.5	MI2D-03BMMM-SL8AXX		
Contacts	Cable Jacket	Cable OD	AWG	Item No.

5	--	5	--	5	Gray	灰	4	Green	綠	Twist 對線
4	Black	4	Black	4	Black	黑	2	White/Green	白/綠	
3	Blue	3	Blue	3	Blue	藍	3	Orange	橙	Twist 對線
2	--	2	White	2	White	白	1	White/Orange	白/橙	
1	Brown	1	Brown	1	Brown	棕				
Pin #	Wire	Pin #	Wire	Pin #	Wire		Pin #	Wire (Cat5e)		



UNIT: mm		TITLE	MI2 D Type Cable Male Conn.		
TOLERANCE	±0.5mm	SCALE	3:2	SIZE	A4
		SHEET	2	OF	2
REV.	B	WC-REV.	A.2	QC: Inspection item	

Amphenol LTW
安費諾亮泰企業股份有限公司

ITEM NO	DRAWN BY	DATE
DWG NO	CHECKED BY	DATE
CUSTOMER	APPROVED BY	DATE
ALTW	Yulong_wang	2016-10-14
	Jinhai	2016-10-14
	Jerry	2016-10-14

单击下面可查看定价，库存，交付和生命周期等信息

[>>Amphenol\(安费诺\)](#)