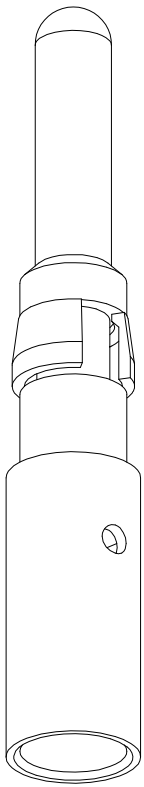
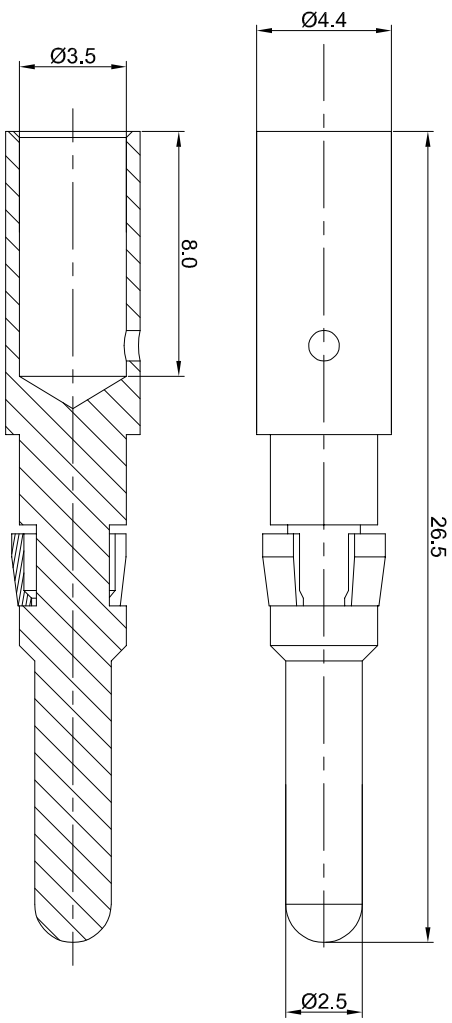


REVISIONS				
REV	ECO	DESCRIPTION	DATE	BY APPR
A1	-	FIRST RELEASE	May/27/2017	Tom Tommy
A2	-	Modify the current rating	Jul,10,2017	White Tommy



P/N	CONTACT PLATING(MATING AREA)
MP10B23T	TIN PLATING OVER NICKEL.
MP10B23S	SILVER PLATING OVER NICKEL.
MP10B23F	GOLD FLASH PLATING OVER NICKEL.
MP10B23G5	5µ" GOLD PLATING OVER NICKEL.
MP10B23G10	10µ" GOLD PLATING OVER NICKEL.
MP10B23G15	15µ" GOLD PLATING OVER NICKEL.
MP10B23G30	30µ" GOLD PLATING OVER NICKEL.

- NOTES : (UNLESS OTHERWISE SPECIFIED)
- MATERIAL :
 - CONTACT BODY : COPPER ALLOY.
 - POSITIONING CLIP : COPPER ALLOY.
 - SPECIFICATIONS :
 - CURRENT RATING : 35A(MAX).
 - TERMINATION TYPE : CRIMPING.
 - WIRE RANGE : 10~12 AWG.
 - SUITABLE SOCKET : MS10B23xx.
 - ALL DIMENSIONS ARE FOR REFERENCE USE ONLY.

QUANTITY	PART NUMBER	DESCRIPTION	ITEM
MATERIALS LIST			
UNLESS OTHERWISE SPECIFIED			
1) All dimensions given in millimeters.			
2) Tolerances are as follows: A:10µ			
1 PL DEC 20 09 Fractions: 1/16"			
3 PL DEC 20 09 Angles: 1°			
3) Note reference =			
MATERIAL SPECIFICATIONS:		CUSTOMER:	
PROCESS SPECIFICATIONS:		THIS DRAWING IS SUPPLEMENTARY TO THE DRAWING SPECIFICATIONS AND PERFORMANCE DATA OF THE PART. THE MANUFACTURER ASSUMES NO RESPONSIBILITY FOR REPRODUCTION AND LABELING. ALL MANUFACTURING VARIATIONS.	
NEXT ASSY:		SCALE: NONE	
		SIGNATURES DATE	
		DRAWN: [Signature] 11/10/2017	
		CHECKED: [Signature]	
		ENGINEER: [Signature]	
		APPROVAL: [Signature]	
		SIZE: B	
		TYPE: C-	
		DWG NO: MP10B23xx	
		REVISION: A2	
		SHEET: 1 OF 1	

Amphenol

Sine Systems - www.amphenol-sine.com
44724 Morley Drive
Clinton Township, MI 48036

ECCO-MATE PIN CONTACT
MACHINE-MALE CONTACT 2.5mm

单击下面可查看定价，库存，交付和生命周期等信息

[>>Amphenol\(安费诺\)](#)