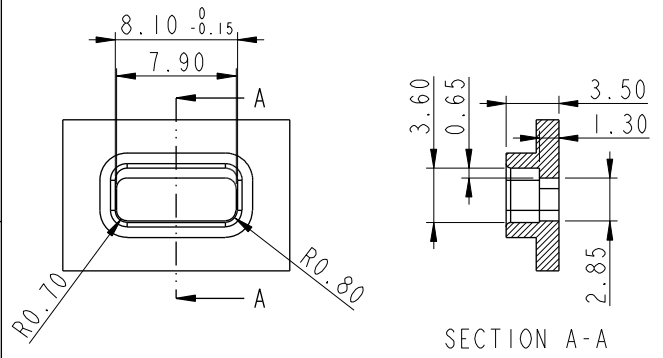


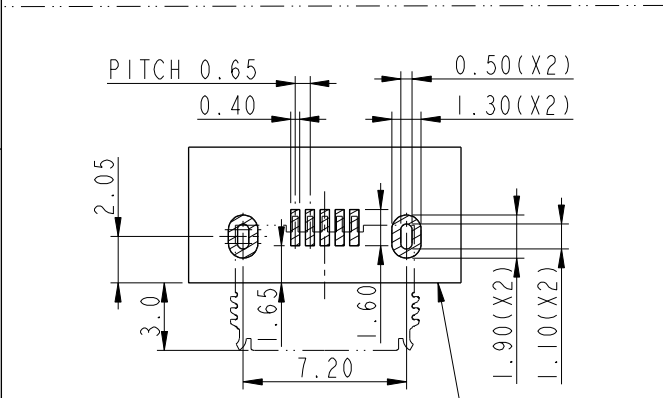
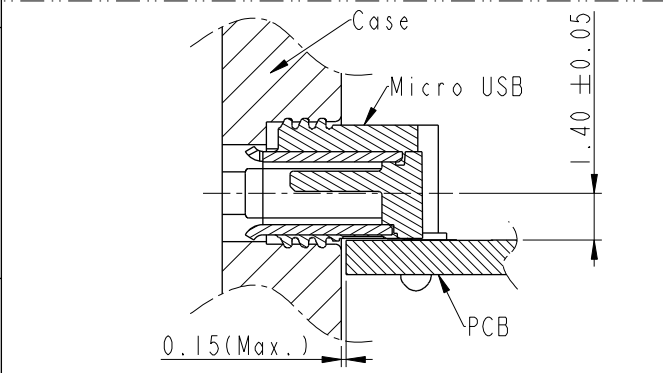
THIS DOCUMENT IS SUBJECT TO CHANGE WITHOUT NOTICE. IT IS CONFIDENTIAL AND A PROPERTY OF Amphenol LTW. DISCLOSURE TO THIRD PARTY HAS TO BE AUTHORIZED BY Amphenol LTW.

REV.	ECN NO.	DATE	SIGN	DESCRIPTION
A	Initial Release	2016/07/25	Jason Yu	New Item
B	LEN1681212~5	2016/08/18	Jason Yu	Add Dimension
C	LEN1790259~62	2017/09/15	Ruru	RoHS Label and blue and white label merger

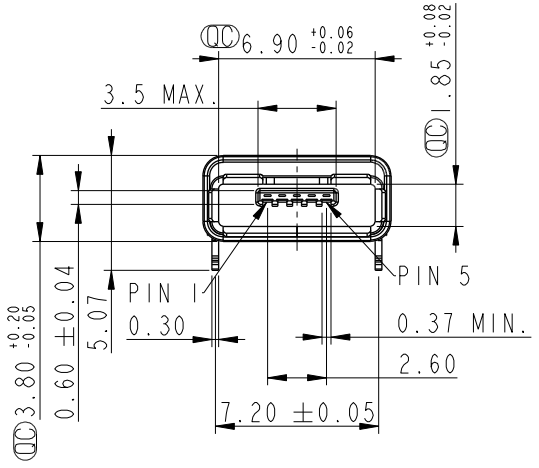
ALTW
CONFIDENTIAL
 2017-09-15
R&D DEPT.



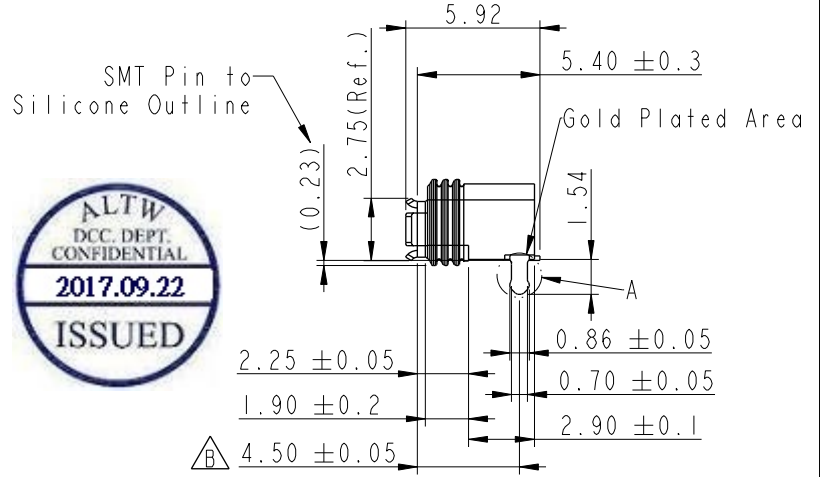
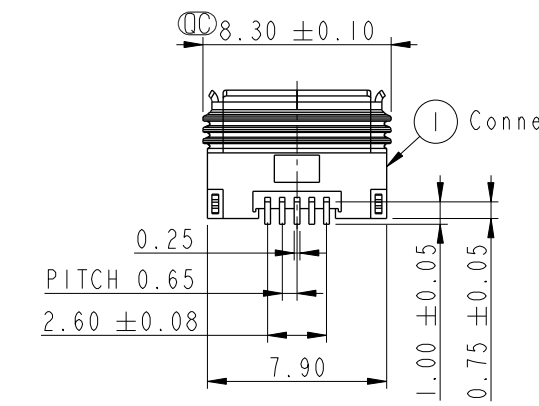
TOLERANCE Recommended Case Cut Out
 .XX±0.05 SCALE 2:1



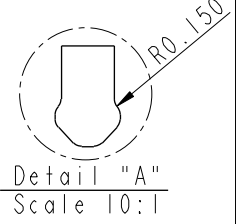
TOLERANCE .XX±0.05
 PCB Layout SCALE 2:1
 PCB front edge



MUC-20PFFR-JSXX02



ALTW
DCC. DEPT.
CONFIDENTIAL
 2017.09.22
ISSUED



- Note:
- * Ⓞ Important Dimensions To Check
 - * Current: 1&5pin(1.8A), 2~4 pin(1.0A)
 - * Housing: Nylon, Black
 - * Terminal: Copper Alloy, Gold Plated
 - * Shell: Stainless, Gold Plated
 - * Inner Gasket: Silicone, Transparent
 - * Outside Gasket: Silicone, Transparent
 - * PCB Thickness: 1.2 MAX.
 - * For Micro USB A & B type plug use
 - * SMD Temperature & Time: 260°C / 5 sec

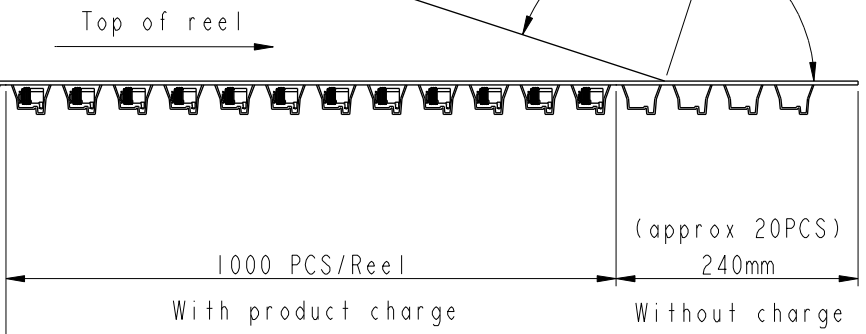
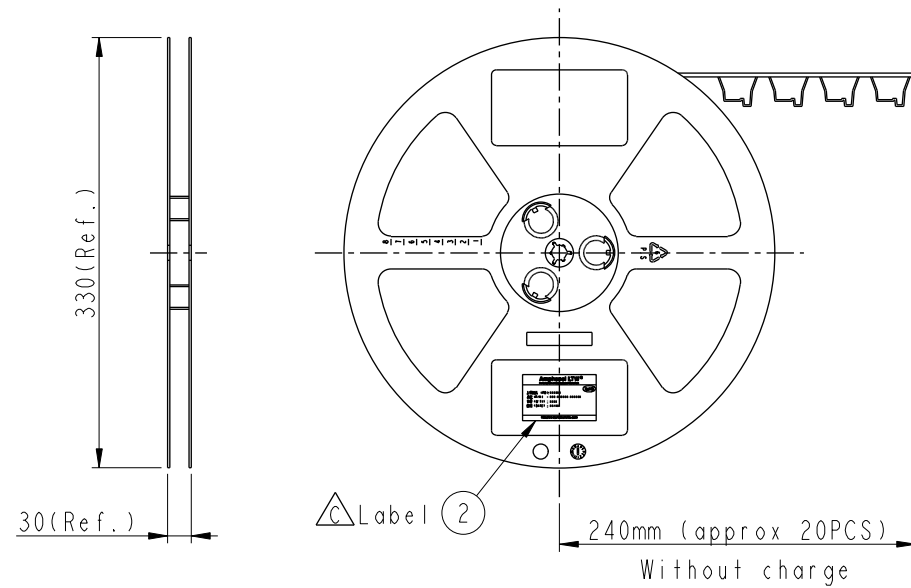
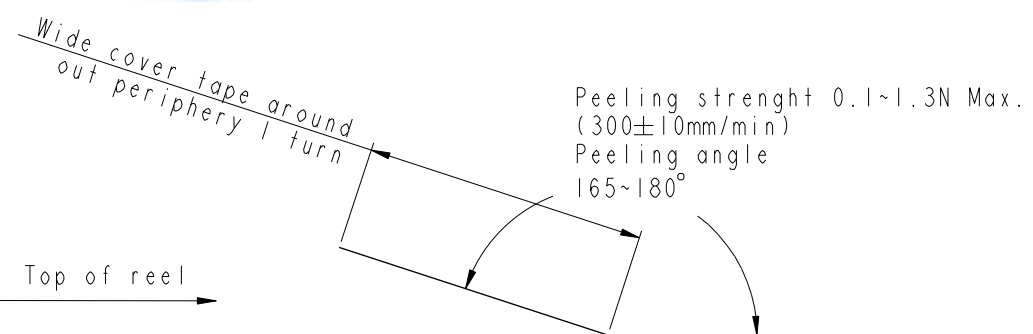
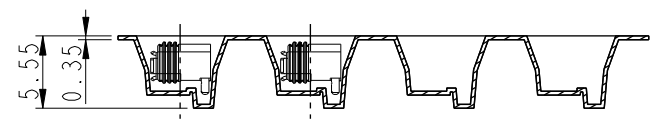
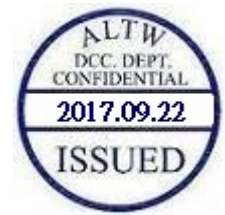
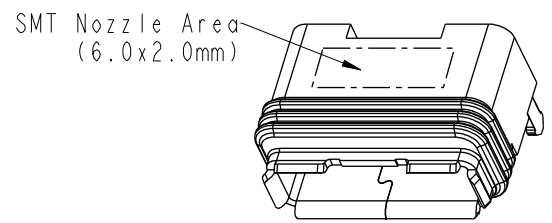
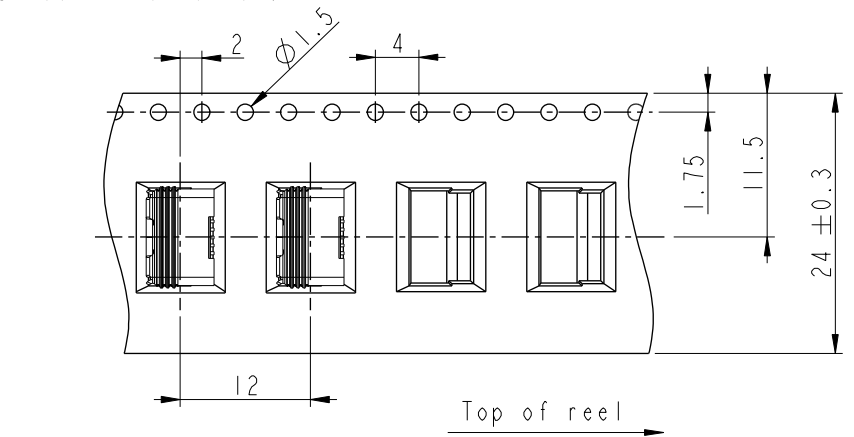
UNIT: mm			TITLE WATERPROOF MICRO-AB USB PANEL 20MAB F CONN JACK LENGHT PIN			
TOLERANCE .X ±0.25 .XX ±0.1 .XXX ±0.05 ANGLES ±1°	SCALE 3:1	SIZE A4	SHEET 1	OF 4	REV. C	WC-REV. A.6
			Ⓞ: Inspection item			

Amphenol LTW
 安費諾亮泰企業股份有限公司

ITEM NO.	DRAWN BY	DATE
DWG NO. MUC-20PFFR-JSXX02	Ruru	2017-09-15
CUSTOMER ALTW	CHECKED BY Rita	DATE 2017-09-15
	APPROVED BY Max	DATE 2017-09-15

THIS DOCUMENT IS SUBJECT TO CHANGE WITHOUT NOTICE. IT IS CONFIDENTIAL AND A PROPERTY OF Amphenol LTW. DISCLOSURE TO THIRD PARTY HAS TO BE AUTHORIZED BY Amphenol LTW.

Tape & Reel Information:



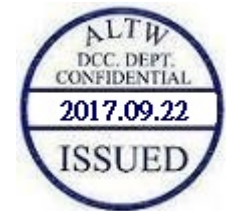
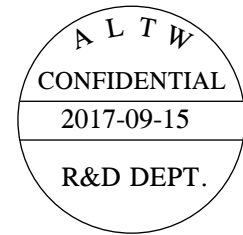
UNIT: mm		
TOLERANCE		
.X	±0.25	
.XX	±0.1	
.XXX	±0.05	
ANGLES	±1°	

TITLE WATERPROOF MICRO-AB USB PANEL 20MAB F CONN JACK LENGHT PIN			
SCALE Free	SIZE A4	SHEET 2 OF 4	
REV. C	WC-REV. A.6	QC: Inspection item	

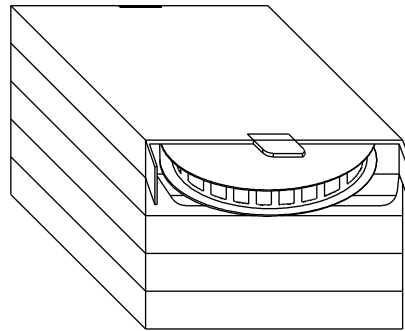
Amphenol LTW
安費諾亮泰企業股份有限公司

ITEM NO	DRAWN BY Ruru	DATE 2017-09-15
DWG NO MUC-20PFFR-JSXX02	CHECKED BY Rita	DATE 2017-09-15
CUSTOMER ALTW	APPROVED BY Max	DATE 2017-09-15

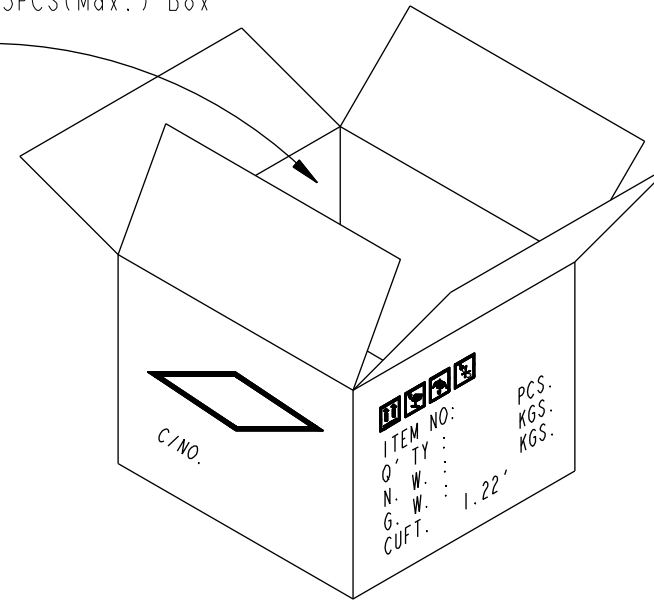
Package :



One Carton can put in the 5PCS(Max.) Box



1000 PCS(Connector)/Tape&Reel, Put in a Box



(5,000 PCS/Carton)

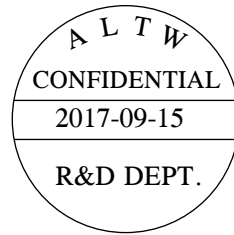
UNIT:mm			TITLE WATERPROOF MICRO-AB USB PANEL 20MAB F CONN JACK LENGHT PIN		
TOLERANCE .X ±0.25 .XX ±0.1 .XXX ±0.05 ANGLES ±1°	SCALE Free	SIZE A4	SHEET 3	OF 4	REV. C
		WC-REV. A.3	QC: Inspection item		

Amphenol LTW
安費諾亮泰企業股份有限公司

ITEM NO	DRAWN BY Ruru	DATE 2017-09-15
DWG NO MUC-20PFFR-JSXX02	CHECKED BY Rita	DATE 2017-09-15
CUSTOMER ALTW	APPROVED BY Max	DATE 2017-09-15

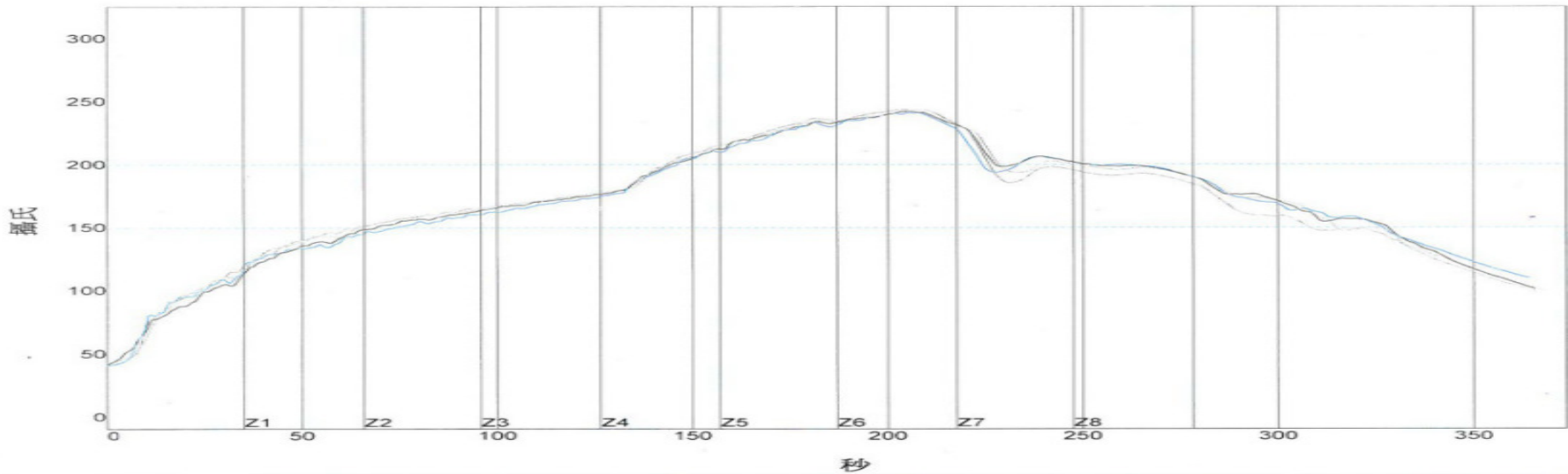
THIS DOCUMENT IS SUBJECT TO CHANGE WITHOUT NOTICE. IT IS CONFIDENTIAL AND A PROPERTY OF Amphenol LTW. DISCLOSURE TO THIRD PARTY HAS TO BE AUTHORIZED BY Amphenol LTW.

For SMT Process Recommend:



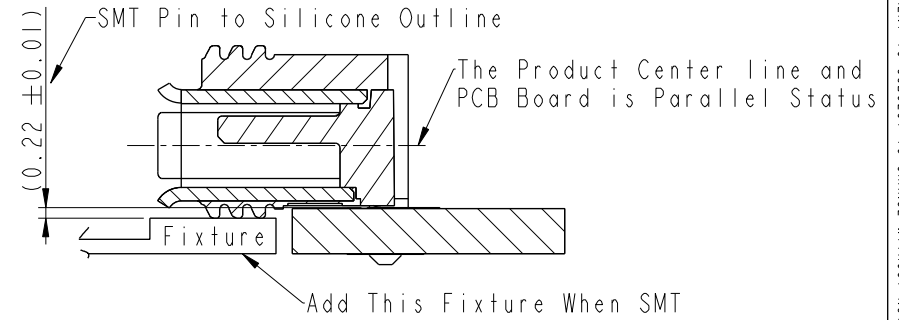
About IR Reflow Profile:

溫度設置 (攝氏)	1	2	3	4	5	6	7	8
溫區								
上溫區	160	180	180	180	190	245	265	260
下溫區	160	180	180	180	190	245	265	260
傳送帶速度 (米/分):	0.95							

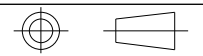


PWI= 61%	最高上升斜率	最高下降斜率	恢復時間150至200C	回流時間 /220C	最高溫度
CON1	2.81	-2.33	80.21	60.91	242.36
CON2	2.38	-2.14	75.61	57.41	241.74
CON3	2.81	-2.84	77.79	58.66	243.44
CON4	2.83	-2.34	72.24	51.64	240.92
溫差	0.45	0.70	7.97	9.27	2.52

About Fixture:



UNIT: mm



TITLE
WATERPROOF MICRO-AB USB
PANEL 20MAB F CONN JACK LENGHT PIN

SCALE Free SIZE A4 SHEET 4 OF 4

REV. C WC-REV. A.3

☉: Inspection item

Amphenol LTW
安費諾亮泰企業股份有限公司

ITEM NO	DRAWN BY	DATE
DWG NO	CHECKED BY	DATE
CUSTOMER	APPROVED BY	DATE
ALTW	Ruru	2017-09-15
	Rita	2017-09-15
	Max	2017-09-15

THIS DOCUMENT IS SUBJECT TO CHANGE WITHOUT NOTICE. IT IS CONFIDENTIAL AND A PROPERTY OF Amphenol LTW. DISCLOSURE TO THIRD PARTY HAS TO BE AUTHORIZED BY Amphenol LTW.

单击下面可查看定价，库存，交付和生命周期等信息

[>>Amphenol\(安费诺\)](#)