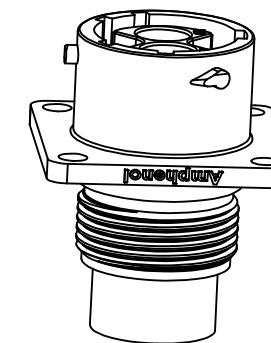
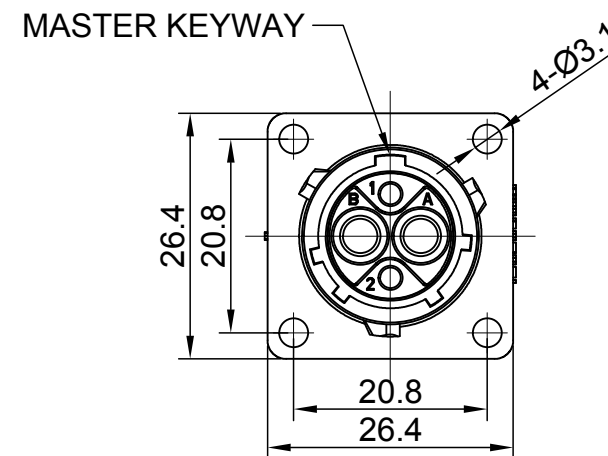
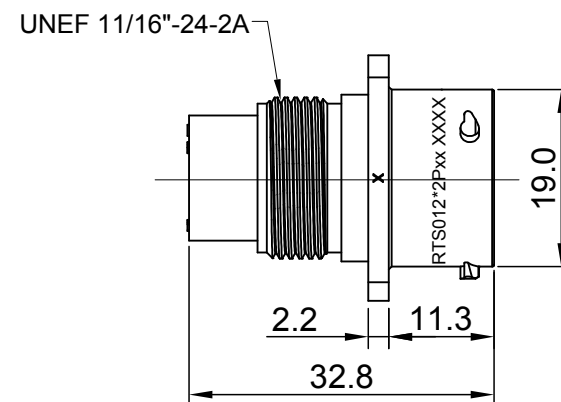
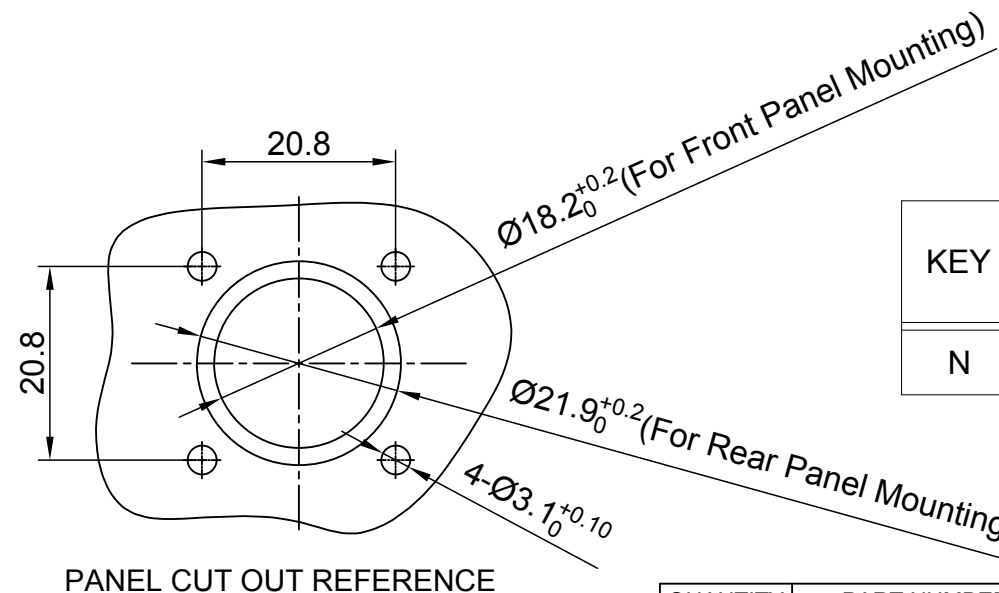


| REVISIONS |     |                |             |       |       |
|-----------|-----|----------------|-------------|-------|-------|
| REV       | ECO | DESCRIPTION    | DATE        | BY    | APPR  |
| A1        | --  | FIRST RELEASED | Jul-01-2017 | Nick  | Tommy |
| A2        | --  | UPDATE DRAWING | Mar-19-2018 | White | Tommy |
| A3        | --  | UPDATE DRAWING | Apr-10-2018 | White | Tommy |



NOTES : (UNLESS OTHERWISE SPECIFIED)

- MATERIAL :  
SHELL : THERMOPLASTIC , UL94 V-0.  
INSERT : THERMOPLASTIC , UL94 V-0.  
SEAL GASKET : NBR OR SILICONE RUBBER.
- SPECIFICATIONS :  
2.1, RATED CURRENT : 2.5mm CONTACT: 23A (MAX).  
20# CONTACT: 5A (MAX).  
2.2, RATED VOLTAGE : 350V(AC/DC).  
2.3, OPERATING TEMPERATURE : SEE TABLE.  
2.4, DIELECTRIC WITHSTANDING VOLTAGE : LESS THAN  
2 MILLIAMPS CURRENT LEAKAGE@2000 VOLTS AC.  
2.5, INSULATION RESISTANCE : 5000 MEGOHMS MIN.  
2.6, IP-CLASS : IP67 AND IP69K IN THE MATED CONDITION,  
PANEL EXTERNAL.  
2.7, MATING CYCLES DURABILITY : 500 CYCLES MIN.  
2.8, RoHS COMPLIANT.
- SUITABLE CONTACTS : 2.5mm CONTACT.  
20# CONTACT.
- ALL DIMENSIONS ARE FOR REFERENCE USE ONLY.



| KEY | PART NUMBER |               |
|-----|-------------|---------------|
|     |             | -40°C ~ 105°C |
| N   | RTS012N2P   | RTS012N2P03   |

| QUANTITY   | PART NUMBER | DESCRIPTION   | ITEM  |
|--|-------------|---|---|
| <b>MATERIALS LIST</b>  |             |   |   |
| UNLESS OTHERWISE SPECIFIED<br>1) All dimensions are in metric(mm).<br>2) Tolerances are as follows:<br>1 PL DEC ±0.30   Fractions ±1/64<br>2 PL DEC ±0.15   Angles ±1°<br>3 PL DEC ±0.08 |             | SIGNATURES DATE<br>DRAWN: White Apr-10-2018<br>CHECKED: Tod Apr-10-2018<br>ENGINEER:<br>APPROVAL: Tommy Apr-10-2018   |   |
| MATERIAL SPECIFICATIONS:   |             | <p style="text-align: center;"><b>Amphenol</b></p> <p style="text-align: center;">Sine Systems - www.amphenol-sine.com<br/>44724 Morley Drive<br/>Clinton Township, MI 48036</p> <p style="text-align: center;">ECO-MATE, RECEPTACLE,<br/>FLANGE, SIZE 12, 2+2 POS, PIN</p> |   |
| PROCESS SPECIFICATIONS:  |             |   |   |
| NEXT ASSY:   |             | THIS DRAWING IS SUPPLIED FOR INFORMATION ONLY. DESIGN FEATURES, SPECIFICATIONS AND PERFORMANCE DATA SHOWN HEREON ARE THE PROPERTY OF THE AMPHENOL CORPORATION. NO RIGHTS OF REPRODUCTION ARE IMPLIED. ALL DIMENSIONS ARE SUBJECT TO NORMAL MANUFACTURING VARIATIONS.        | SIZE: B C-<br>TYPE: NONE<br>DWG NO: RTS012*2Pxx<br>REVISION: A3 |
|  |             | SCALE: NONE   | SHEET 1 OF 1  |

TITLE: ECO-MATE, RECEPTACLE, FLANGE, SIZE 12, 2+2 POS, PIN

DWG NO:

RTS012\*2Pxx

REV: A3

SH: 1

OF: 1

单击下面可查看定价，库存，交付和生命周期等信息

[>>Amphenol\(安费诺\)](#)