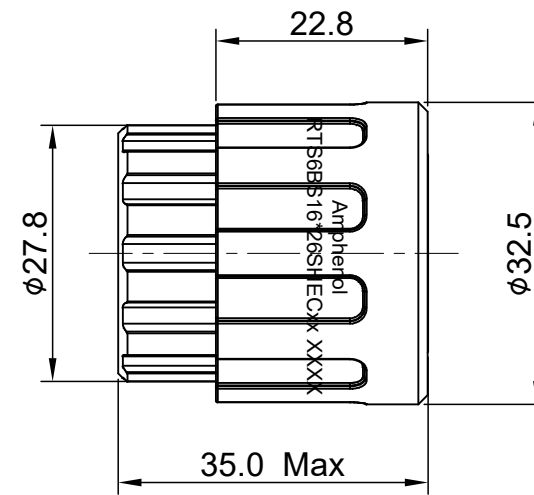


| REVISIONS |     |                |             |       |       |
|-----------|-----|----------------|-------------|-------|-------|
| REV       | ECO | DESCRIPTION    | DATE        | BY    | APPR  |
| A1        | --  | FIRST RELEASED | Mar-26-2017 | Ben   | Tommy |
| A2        | --  | UPDATE NOTES   | Jul-03-2017 | Nick  | Tommy |
| A3        | --  | UPDATE DRAWING | Mar-20-2018 | White | Tommy |

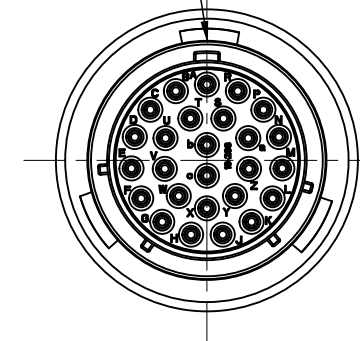
NOTES : (UNLESS OTHERWISE SPECIFIED)

- MATERIAL :  
 SHELL : THERMOPLASTIC , UL94 V-0.  
 INSERT : THERMOPLASTIC , UL94 V-0.  
 COUPLING NUT : THERMOPLASTIC , UL94 V-0.  
 O-RING : NBR OR SILICONE RUBBER.  
 WASHER : SILICONE RUBBER.  
 FIXED RUBBER: NBR.  
 END CAP : THERMOPLASTIC , UL94 V-0.  
 PLASTIC RING : THERMOPLASTIC , UL94 V-0.  
 WIRE SEAL : SILICONE RUBBER.
- SPECIFICATIONS :
  - RATED CURRENT :
    - STAMPED CONTACT 5A (MAX).
    - MACHINED CONTACT 7.5A(MAX).
  - RATED VOLTAGE : 250V ( AC/DC ) .
  - OPERATING TEMPERATURE : SEE TABLE.
  - DIELECTRIC WITHSTANDING VOLTAGE : LESS THAN 2 MILLIAMPS CURRENT LEAKAGE@1500 VOLTS AC.
  - INSULATION RESISTANCE : 5000 MEGOHMS MIN.
  - IP-CLASS : IP67 AND IP69K IN THE MATED CONDITION, WIRE SEALS FULLY POPULATED.
  - MATING CYCLES DURABILITY : 500 CYCLES MIN.
  - RoHS COMPLIANT.
- SUITABLE CONTACTS : 20# CONTACT.
- ALL DIMENSIONS ARE FOR REFERENCE USE ONLY.
- CONTACT SIZE AND REAR SEAL WIRE RANGE :

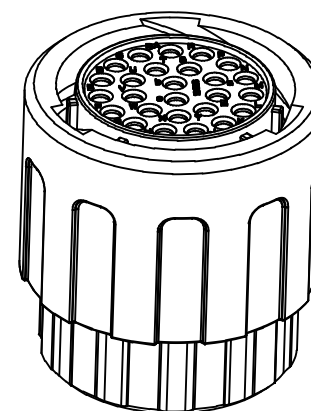
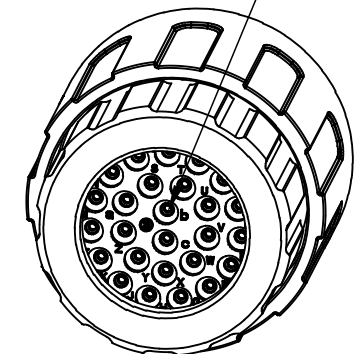
| CONTACT SIZE | MIN. INSUL O.D. | MAX. INSUL O.D. | WIRE RANGE |
|--------------|-----------------|-----------------|------------|
| 20#          | φ1.6mm          | φ2.6mm          | 20-30AWG   |



MASTER KEYWAY



SEALING PLUGS CAN BE PURCHASED SEPARATELY



| KEY | PART NUMBER     |                   |
|-----|-----------------|-------------------|
|     | -40°C ~ 105°C   | -40°C ~ 125°C     |
| N   | RTS6BS16N26SHEC | RTS6BS16N26SHEC03 |

| QUANTITY  | PART NUMBER | DESCRIPTION   | ITEM     |  |      |                                      |             |                    |             |                            |    |                 |             |              |  |
|---|-------------|---|----------|--|------|--------------------------------------|-------------|--------------------|-------------|----------------------------|----|-----------------|-------------|--------------|--|
| <b>MATERIALS LIST</b>   |             |   |          |  |      |                                      |             |                    |             |                            |    |                 |             |              |  |
| UNLESS OTHERWISE SPECIFIED<br>1) All dimensions are in metric(mm).<br>2) Tolerances are as follows:<br>1 PL DEC ±0.30    Fractions ±1/64<br>2 PL DEC ±0.15    Angles ±1°<br>3 PL DEC ±0.08<br>3) Note reference = |             | <table border="1"> <thead> <tr> <th>SIGNATURES</th> <th>DATE</th> </tr> </thead> <tbody> <tr> <td>DRAWN: White</td> <td>Mar-20-2018</td> </tr> <tr> <td>CHECKED: Tod</td> <td>Mar-20-2018</td> </tr> <tr> <td>ENGINEER:</td> <td></td> </tr> <tr> <td>APPROVAL: Tommy</td> <td>Mar-20-2018</td> </tr> </tbody> </table> |          | SIGNATURES   | DATE | DRAWN: White                         | Mar-20-2018 | CHECKED: Tod       | Mar-20-2018 | ENGINEER:                  |    | APPROVAL: Tommy | Mar-20-2018 |              |  |
| SIGNATURES  | DATE        |   |          |  |      |                                      |             |                    |             |                            |    |                 |             |              |  |
| DRAWN: White  | Mar-20-2018 |   |          |  |      |                                      |             |                    |             |                            |    |                 |             |              |  |
| CHECKED: Tod  | Mar-20-2018 |   |          |  |      |                                      |             |                    |             |                            |    |                 |             |              |  |
| ENGINEER:   |             |   |          |  |      |                                      |             |                    |             |                            |    |                 |             |              |  |
| APPROVAL: Tommy   | Mar-20-2018 |   |          |  |      |                                      |             |                    |             |                            |    |                 |             |              |  |
| MATERIAL SPECIFICATIONS:  |             | <table border="1"> <tr> <td colspan="2" style="text-align: center;"><b>Amphenol</b></td> </tr> <tr> <td colspan="2">Sine Systems - www.amphenol-sine.com</td> </tr> <tr> <td colspan="2">44724 Morley Drive</td> </tr> <tr> <td colspan="2">Clinton Township, MI 48036</td> </tr> </table>                              |          | <b>Amphenol</b>  |      | Sine Systems - www.amphenol-sine.com |             | 44724 Morley Drive |             | Clinton Township, MI 48036 |    |                 |             |              |  |
| <b>Amphenol</b>   |             |   |          |  |      |                                      |             |                    |             |                            |    |                 |             |              |  |
| Sine Systems - www.amphenol-sine.com  |             |   |          |  |      |                                      |             |                    |             |                            |    |                 |             |              |  |
| 44724 Morley Drive  |             |   |          |  |      |                                      |             |                    |             |                            |    |                 |             |              |  |
| Clinton Township, MI 48036  |             |   |          |  |      |                                      |             |                    |             |                            |    |                 |             |              |  |
| PROCESS SPECIFICATIONS:   |             | <table border="1"> <tr> <td colspan="2" style="text-align: center;">ECO-MATE, PLUG, END CAP,<br/>26POS, SOCKET CONTACT, SIZE 16</td> </tr> </table>   |          | ECO-MATE, PLUG, END CAP,<br>26POS, SOCKET CONTACT, SIZE 16 |      |                                      |             |                    |             |                            |    |                 |             |              |  |
| ECO-MATE, PLUG, END CAP,<br>26POS, SOCKET CONTACT, SIZE 16  |             |   |          |  |      |                                      |             |                    |             |                            |    |                 |             |              |  |
| NEXT ASSY:  |             | <table border="1"> <tr> <td>SIZE</td> <td>TYPE</td> <td>DWG NO:</td> <td>REVISION</td> </tr> <tr> <td>B</td> <td>C-</td> <td>RTS6BS16*26SHECxx</td> <td>A3</td> </tr> <tr> <td colspan="2">SCALE: NONE</td> <td colspan="2">SHEET 1 OF 1</td> </tr> </table>  |          | SIZE   | TYPE | DWG NO:                              | REVISION    | B                  | C-          | RTS6BS16*26SHECxx          | A3 | SCALE: NONE     |             | SHEET 1 OF 1 |  |
| SIZE  | TYPE        | DWG NO:   | REVISION |  |      |                                      |             |                    |             |                            |    |                 |             |              |  |
| B   | C-          | RTS6BS16*26SHECxx   | A3       |  |      |                                      |             |                    |             |                            |    |                 |             |              |  |
| SCALE: NONE   |             | SHEET 1 OF 1  |          |  |      |                                      |             |                    |             |                            |    |                 |             |              |  |

TITLE: ECO-MATE, PLUG, END CAP, 26POS, SOCKET CONTACT, SIZE 16  
 DWG NO: RTS6BS16\*26SHECxx  
 REV: A3  
 SH: 1  
 OF: 1

单击下面可查看定价，库存，交付和生命周期等信息

[>>Amphenol\(安费诺\)](#)