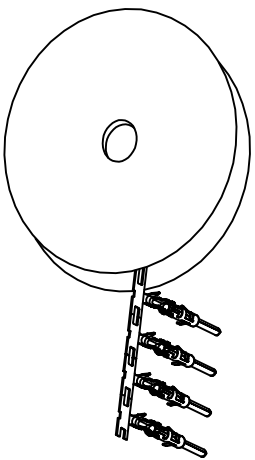


REVISIONS				
REV	ECO	DESCRIPTION	DATE	BY APPR
A1	-	RELEASED DRAWING	Jul-16-18	Flan Tommy

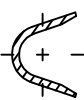
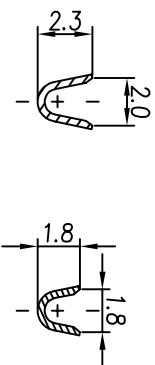
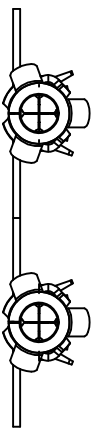
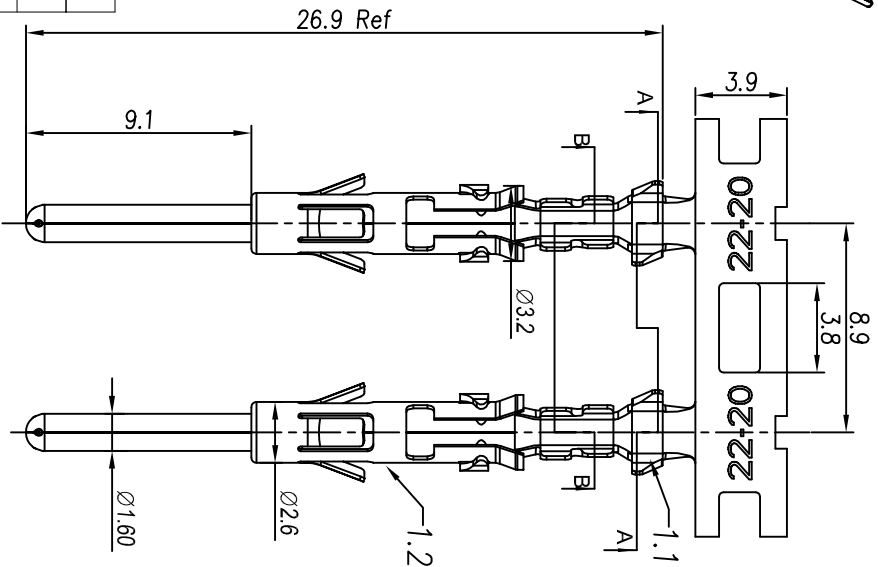


CONTACT ORIENTATION ON ROLL(3000PCS/COIL)

NOTES : (UNLESS OTHERWISE SPECIFIED)

- MATERIAL :
  - CONTACT BODY : COPPER ALLOY.
  - OUTER SPRING : STAINLESS STEEL.
- SPECIFICATIONS :
  - CURRENT RATING : 13A MAX.
  - TERMINATION TYPE : CRIMPING.
  - WIRE RANGE : 22~20AWG.
  - WIRE INSULATION DIA(MAX) :  $\phi$ 2.5mm.
- RoHS COMPLIANT.
- ALL DIMENSIONS ARE FOR REFERENCE USE ONLY.
- AVAILABLE TOOLS :
  - HAND CRIMPER : MFX-3954.
  - CRIMP APPLICATOR : MFX-3957.
  - EXTRACTION TOOL : QXRT16.

P/N	CONTACT PLATING(MATING AREA)
SP20M2T	TIN PLATING OVER NICKEL.
SP20M2N	NICKEL PLATING OVER COPPERIZE.
SP20M2F	GOLD FLASH PLATING OVER NICKEL.
SP20M2G5	5 $\mu$ "GOLD PLATING OVER NICKEL.
SP20M2G10	10 $\mu$ "GOLD PLATING OVER NICKEL.
SP20M2G15	15 $\mu$ "GOLD PLATING OVER NICKEL.
SP20M2G30	30 $\mu$ "GOLD PLATING OVER NICKEL.



SECTION A-A

QUANTITY	PART NUMBER	DESCRIPTION	ITEM
<b>MATERIALS LIST</b>			

UNLESS OTHERWISE SPECIFIED		SIGNATURES		DATE	
1) All dimensions are in millimeters.	2) Tolerances are as follows: Fractions: 1/16"	DRAWN: Flan	Jul-16-18	DESIGNED: Tom	Jul-16-18
3) Note reference = $\Delta$		ENGINEER: Tommy	Jul-16-18	APPROVAL: Tommy	Jul-16-18

MATERIAL SPECIFICATIONS:		CUSTOMER:		ECO-MATE PIN CONTACT.	
PROCESS SPECIFICATIONS:		TEST SPECIFICATIONS:		SIZE:	B
TEST SPECIFICATIONS:		SPECIFICATIONS AND PERFORMANCE DATA:		TYPE:	C-
		REPRODUCTION AND PERFORMANCE DATA:		DWG NO:	SP20M2XX
		OF REPRODUCTION ARE LISTED. ALL MANUFACTURING VARIATIONS:		SCALE:	NONE
				SHEET:	1 OF 1

**Amphenol**  
 Sine Systems - www.amphenol-sine.com  
 44724 Morley Drive  
 Clinton Township, MI 48036

ECO-MATE PIN CONTACT.  
 STAMPED 22-20AWG, SIZE 16

单击下面可查看定价，库存，交付和生命周期等信息

[>>Amphenol\(安费诺\)](#)