

1. MATERIAL:

- 1.1. CONTACT BODY: COPPER ALLOY.
- 1.2. OUTER SPRING: STAINLESS STEEL.

2. SPECIFICATIONS:

- 2.1 CURRENT RATING: 5A MAX.
- 2.2 TERMINATION TYPE: CRIMPING.
- 2.3 WIRE RANGE: 22-20AWG.
- 2.4 WIRE INSULATION DIA(MAX): Ø2.6mm.

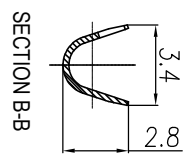
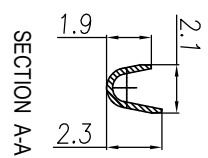
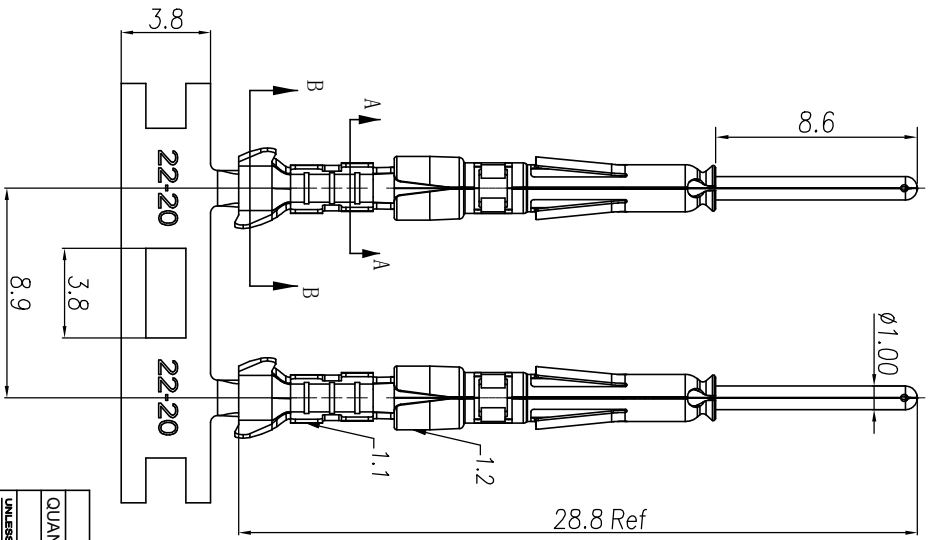
3. RoHS COMPLIANT.

- 4. ALL DIMENSIONS ARE FOR REFERENCE USE ONLY.
- 5. AVAILABLE TOOLS:
 - 5.1 HAND CRIMPER: MFX-3958 (A3)
 - 5.2 CRIMP APPLICATOR: MFX-3957.
 - 5.3 EXTRACTION TOOL: QXRT20.

P/N CONTACT PLATING(MATING AREA)

SP20W2T	TIN PLATING OVER NICKEL.
SP20W2N	NICKEL PLATING OVER COPPERIZE.
SP20W2F	GOLD FLASH PLATING OVER NICKEL.
SP20W2G5	5µ" GOLD PLATING OVER NICKEL.
SP20W2G10	10µ" GOLD PLATING OVER NICKEL.
SP20W2G15	15µ" GOLD PLATING OVER NICKEL.
SP20W2G30	30µ" GOLD PLATING OVER NICKEL.

(A2)



REVISIONS				
REV	ECO	DESCRIPTION	DATE	BY APPR
A1	-	RELEASED DRAWING	Nov-8-17	Rookie Tommy
A2	-	ADD THE G5 PART NUMBER	Jan-28-19	Blink Tommy
A3	-	CHANGE HAND CRIMPER	Nov-8-19	Flan Tommy

QUANTITY	PART NUMBER	DESCRIPTION	ITER

MATERIALS LIST			
SIGNATURES	DATE		
DRAWN: Ril	Nov-8-19		
CHECKED: Mih	Nov-8-19		
ENGINEER: Tommy	Nov-8-19		
APPROVE: Tommy	Nov-8-19		
CUSTOMER:			

UNLESS OTHERWISE SPECIFIED			
1) All dimensions are in millimeters.			
2) Tolerances are as follows:			
1 Pt. DEC 0.030	Fractions 1/16"		
3 Pt. DEC 0.015	Angles 30°		
3) Note reference =			
MATERIAL SPECIFICATIONS			
PROCESS SPECIFICATIONS			
NEXT ASBY			
THE DRAWING IS SUBJECT TO THE SPECIFICATIONS AND PERFORMANCE DATA OF THE MANUFACTURER'S CATALOG. THE MANUFACTURER'S CATALOG IS THE AUTHORITY FOR ALL DIMENSIONS AND MATERIAL VARIATIONS.		SCALE: NONE	
ECO-MATE PIN CONTACT.		REVISION: A3	
STAMPED: 20-22AWG, SIZE 20		SHEET 1 OF 1	

Amphenol
Sine Systems - www.amphenol-sine.com
44724 Montey Drive
Clinton Township, MI 48038

单击下面可查看定价，库存，交付和生命周期等信息

[>>Amphenol\(安费诺\)](#)