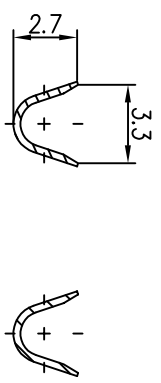
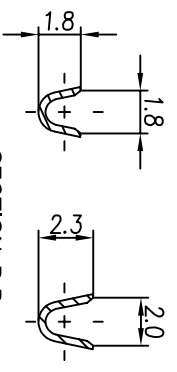


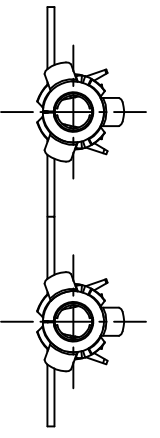
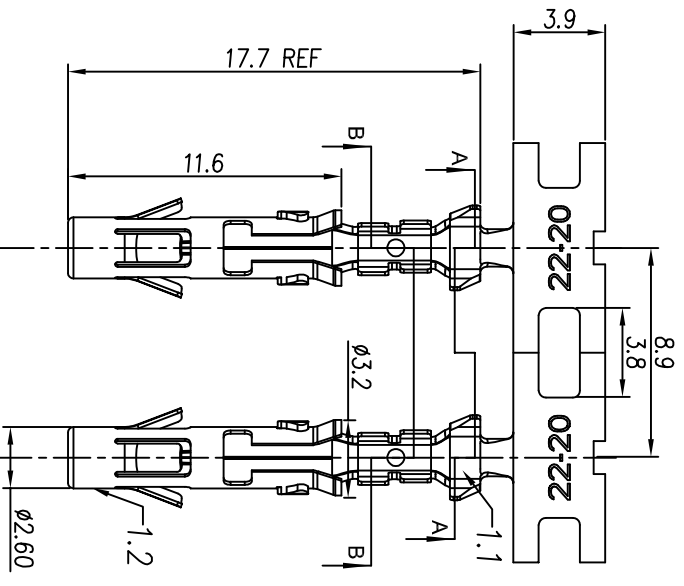
CONTACT ORIENTATION ON ROLL (3000PCS/COIL)

- NOTES : (UNLESS OTHERWISE SPECIFIED)
- MATERIAL :
    - CONTACT BODY : COPPER ALLOY.
    - OUTER SPRING : STAINLESS STEEL.
  - SPECIFICATIONS :
    - CURRENT RATING : 13A MAX.
    - TERMINATION TYPE : CRIMPING.
    - WIRE RANGE : 20~22AWG.
    - WIRE INSULATION DIA(MAX) :  $\phi$ 2.5mm.
  - ROHS COMPLIANT.
  - ALL DIMENSIONS ARE FOR REFERENCE USE ONLY.
  - AVAILABLE TOOLS :
    - HAND CRIMPER : MFX-3954.
    - CRIMP APPLICATOR : MFX-3957.
    - EXTRACTION TOOL : QXRTL16.

P/N	CONTACT PLATING(MATING AREA)
SS20M2T	TIN PLATING OVER NICKEL.
SS20M2N	NICKEL PLATING OVER COPPERIZE.
SS20M2F	GOLD FLASH PLATING OVER NICKEL.
SS20M2G5	5 $\mu$ "GOLD PLATING OVER NICKEL.
SS20M2G10	10 $\mu$ "GOLD PLATING OVER NICKEL.
SS20M2G15	15 $\mu$ "GOLD PLATING OVER NICKEL.
SS20M2G30	30 $\mu$ "GOLD PLATING OVER NICKEL.



REVISIONS				
REV	ECO	DESCRIPTION	DATE	BY
A1	-	RELEASED DRAWING	Jul-16-18	Flan
BY	APPR			
Flan	Tommy			



QUANTITY	PART NUMBER	DESCRIPTION	ITEM

UNLESS OTHERWISE SPECIFIED		SIGNATURES		DATE	
1) All dimensions are in millimeters.		DRAWN:	Flan	Jul-16-18	
2) Tolerances are as follows:		CHECKED:	lod	Jul-16-18	
1 PL DEC 240.30 Fractions 1/16"		ENGINEER:			
3 PL DEC 240.08 Angles 1/16"		APPROVAL:	Tommy	Jul-16-18	
3) Note reference =		CUSTOMER:			
MATERIAL SPECIFICATIONS:		ECO-MATE SOCKET CONTACT, STAMPED, 22-20AWG, SIZE 16			
PROCESS SPECIFICATIONS:		SINE SYSTEMS			
TESTING SPECIFICATIONS:		SINE SYSTEMS			
NEXT ASSY:		SINE SYSTEMS			
		SCALE:	NONE	SHEET:	1 OF 1

**MATERIALS LIST**

**Amphenol**

Sine Systems - www.amphenol-sine.com  
44724 Morley Drive  
Clinton Township, MI 48038

单击下面可查看定价，库存，交付和生命周期等信息

[>>Amphenol\(安费诺\)](#)