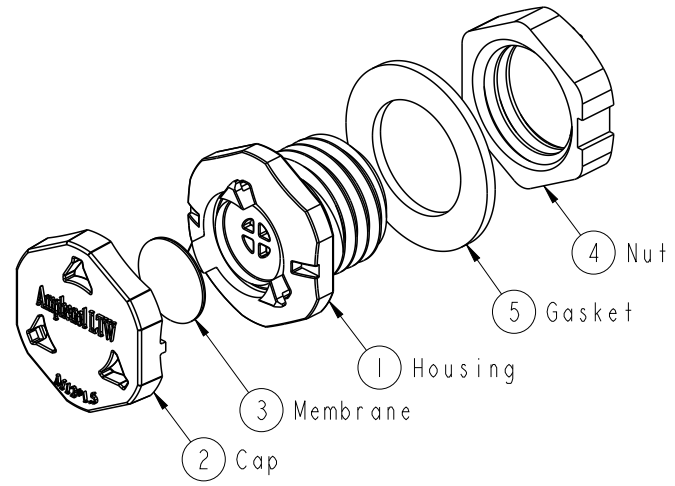
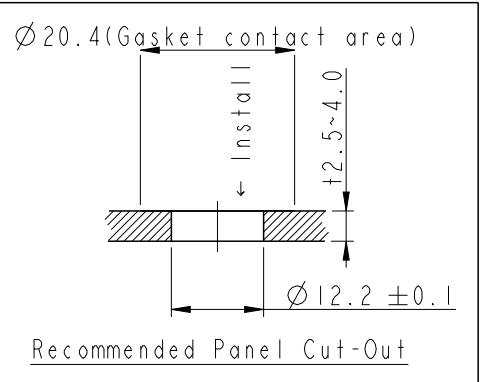
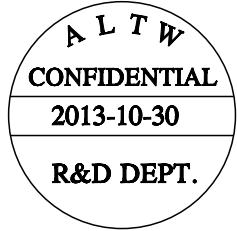
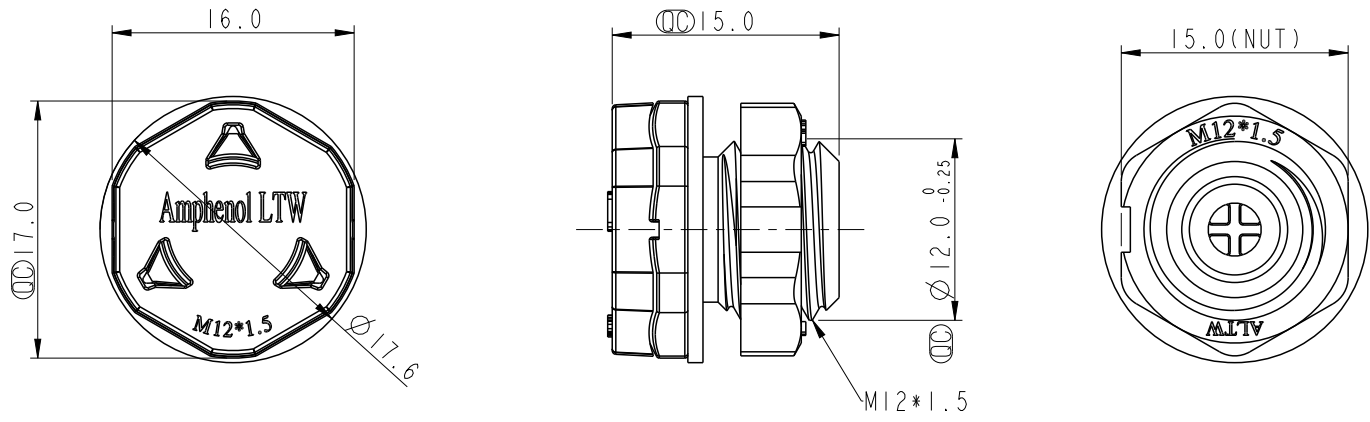


REV.	ECN NO.	DATE	SIGN	DESCRIPTION
B	LE313B0348	2013/11/22	Kelly	Change Note



- Note:**
- * \varnothing Important Dimension.
 - * Waterproof Rate: IP68, IP69K
 - * Housing: M-PPE, UV Resistance, Black
 - * Cap: M-PPE, UV Resistance, Black
 - * Membrane: PTFE
 - * Nut: M-PPE, UV Resistance, Black
 - * Gasket: Silicone, Gray
 - * Panel Thickness: 2.5~4.0mm
 - * Air Permeability: >260ml/min @70mbar
 - * Water Entry Pressure: >60KPa

UNIT: mm		
TOLERANCE	.X ±0.25	
.XX ±0.1		
.XXX ±0.05		
ANGLES	±1°	

TITLE M12*1.5 Vent			
SCALE 2:1	SIZE A4	SHEET 1 OF 1	
REV. B	WC-REV. B.1	\varnothing : Inspection item	

Amphenol LTW
安費諾亮泰企業股份有限公司

ITEM NO. VENT-BJ002	DRAWN BY Kelly-gaotong	DATE 2013-10-30
DWG NO. VENT-BJ002	CHECKED BY Tony	DATE 2013-10-30
CUSTOMER ALTW	APPROVED BY Victor	DATE 2013-10-30

THIS DOCUMENT IS SUBJECT TO CHANGE WITHOUT NOTICE. IT IS CONFIDENTIAL AND A PROPERTY OF AMPHENOL LTW. DISCLOSURE TO THIRD PARTY HAS TO BE AUTHORIZED BY AMPHENOL LTW.

单击下面可查看定价，库存，交付和生命周期等信息

[>>Amphenol\(安费诺\)](#)