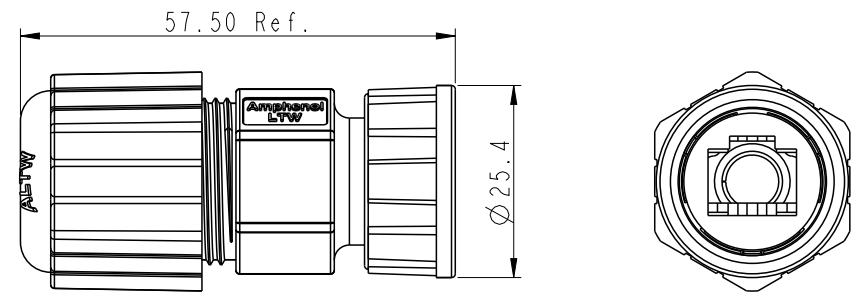
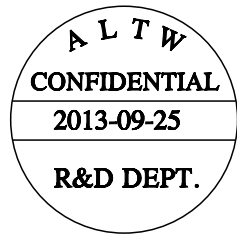
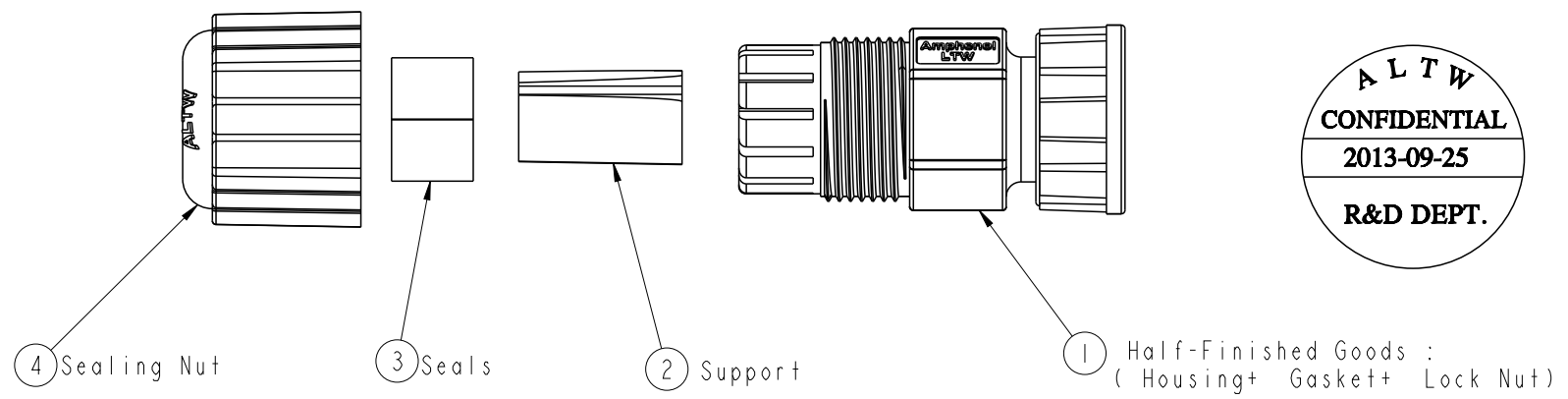


REV.	ECN NO.	DATE	SIGN	DESCRIPTION

THIS DOCUMENT IS SUBJECT TO CHANGE WITHOUT NOTICE. IT IS CONFIDENTIAL AND A PROPERTY OF AMPHENOL LTW. DISCLOSURE TO THIRD PARTY HAS TO BE AUTHORIZED BY AMPHENOL LTW.



- Note:
- * \varnothing Important Dimension
 - * Waterproof Rate : IP67 (Mated)
 - * Half-Finished Goods : ,UL 94V-0
Housing : Nylon,Black
Gasket : Silicon,Dgray
Screw Nut : Nylon,Black
 - * Support: Black,TPU
 - * Sealing Nut: Nylon+GF,Black
 - * Seals: Silicon,Dgray.
 - * Cable OD Range :5.0~6.5mm
 - * Sealing Nut Torsion Value Range: 8~15kgf-cm
 - * One Set Unassembled in One PE Bag.

UNIT : mm		
TOLERANCE	.X ±0.25	
	.XX ±0.1	
	.XXX ±0.05	
ANGLES	±1°	

TITLE RJ45 FEED-THRU, 3T LOCK, C SIZE			
SCALE 1:1	SIZE A4	SHEET 1 OF 1	
REV. A	WC-REV. A.1	\varnothing Inspection item	

Amphenol LTW
安費諾亮泰企業股份有限公司

ITEM NO. RCP-00BMMS-TLM7001	DRAWN BY Raison_liao	DATE 2013-05-27
DWG NO. RCP-00BMMS-TLM7001	CHECKED BY TONY	DATE 2013-05-27
CUSTOMER ALTW	APPROVED BY VICTOR	DATE 2013-05-27

单击下面可查看定价，库存，交付和生命周期等信息

[>>Amphenol\(安费诺\)](#)