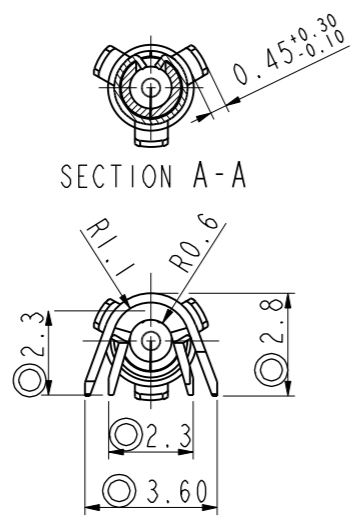
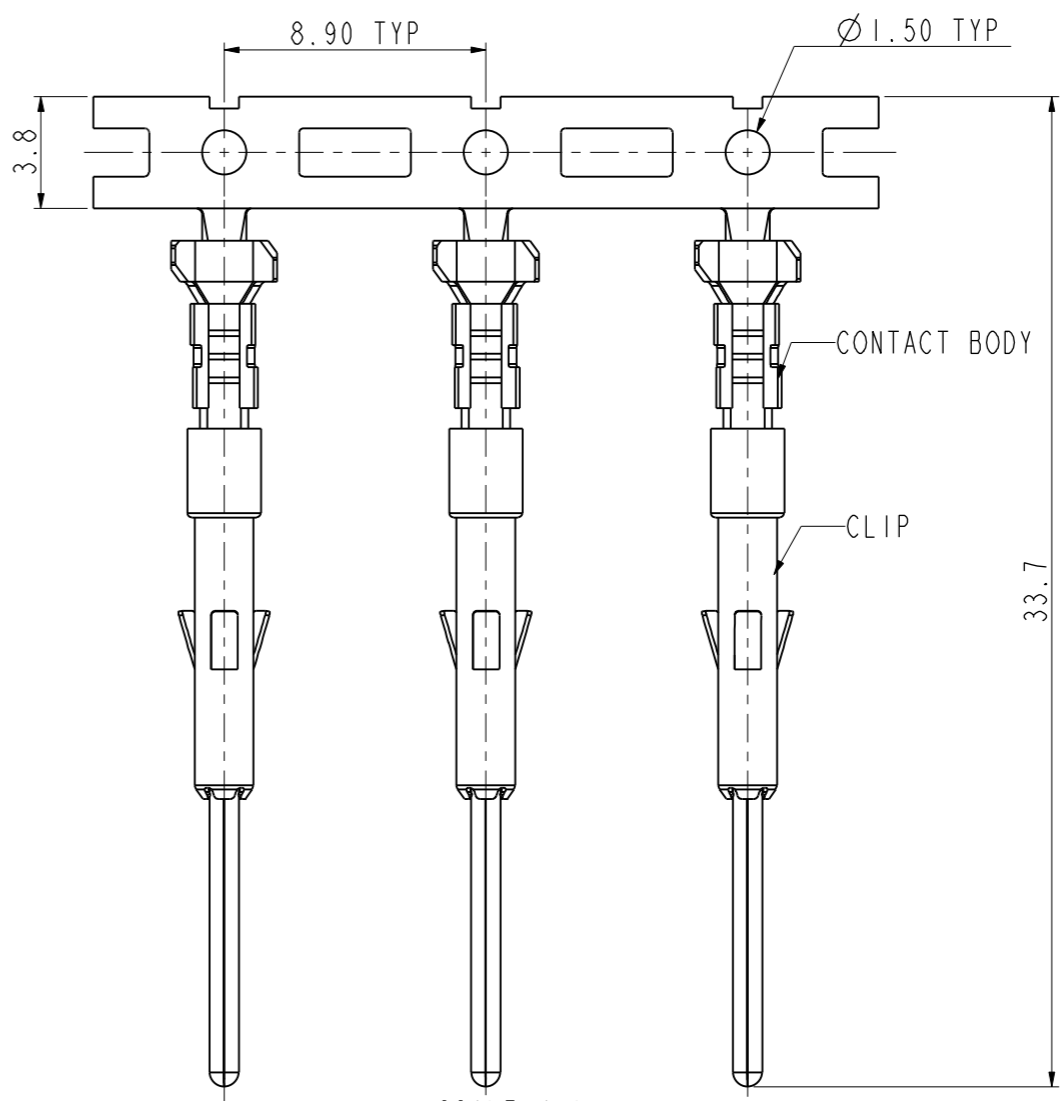


REV	ECN	DESCRIPTION	DATE	MODIFIED
A	C3003	RELEASE		LUIK.PENG

Amphenol PCDSZ
ORIGINAL
PDF Format
R&D



安费诺精密连接器(深圳)有限公司
Amphenol PCD Shenzhen
受控文件
2018年10月11日



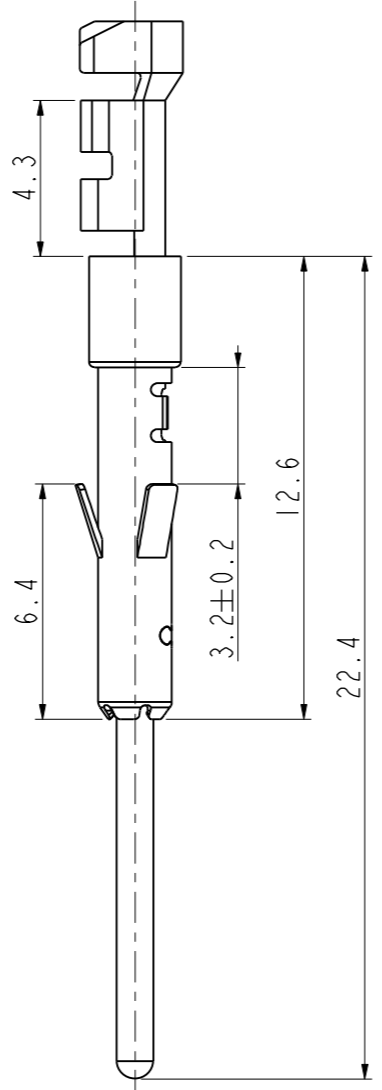
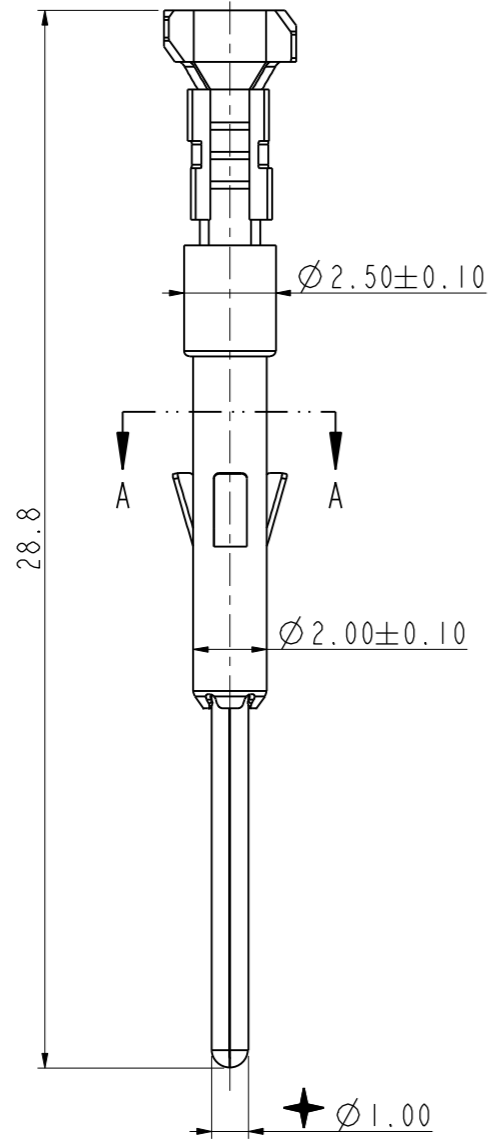
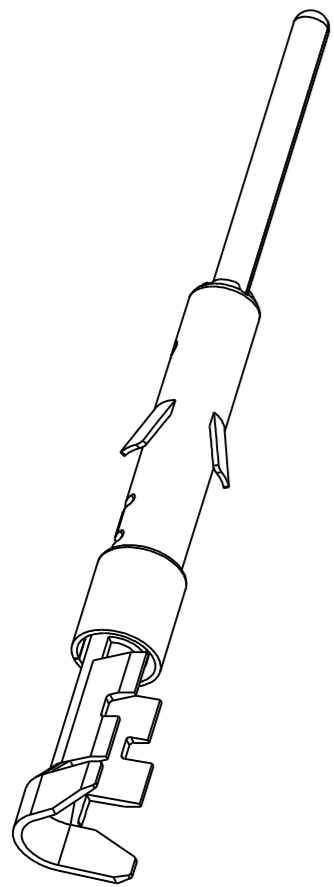
★: IS CRITICAL CHARACTERISTIC SYMBOL, ◎: IS IMPORTANT CHARACTERISTIC SYMBOL.

NOTES:

- ★ 1. MATERIAL: CONTACT BODY: COPPER ALLOY; T=0.25mm, CLIP: STAINLESS STEEL, T=0.15mm.
- 2. CONTACT BODY PLATING: TIN PLATING.
- ◎ 3. WIRE RANGE: 22~18AWG(0.3~0.75 SQ MM), WIRE INSULATION OD RANGE: FROM 1.35MM TO 2.5MM.
- ★ 4. ROHS COMPLIANCE.
- 5. REEL PACKING 3000PCS PER REEL.

C-LVRC20SC01S

C-LVRC20SC01S



DIMENSIONS ANSI Y14.5M UNITS: MM Pro/E FILE	TOLERANCES .X ±0.5 .XX ±0.05 ANGLES ±3.0°	PROJECTION 	Amphenol Pcd Shenzhen		TITLE MALE CONTACT Ø1.0 FOR 0.3~0.75MM ²		
			ENGR LUIK.PENG Mar-28-18	SIZE A3	DWG NO. C-LVRC20SC01S	REV A	
ORIGINAL	THIS DOCUMENT CONTAINS PROPRIETARY INFORMATION WHICH IS THE CONFIDENTIAL PROPERTY OF AMPHENOL PCD SHENZHEN		APPD <i>Derek</i>	CODE: 58982	SCALE: 5:1	SHEET 1 OF 1	

单击下面可查看定价，库存，交付和生命周期等信息

[>>Amphenol\(安费诺\)](#)