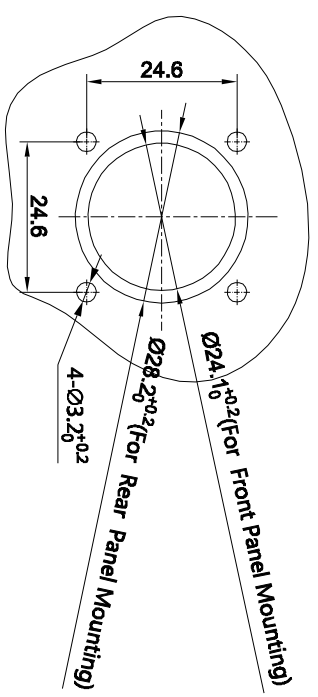
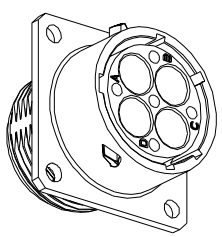
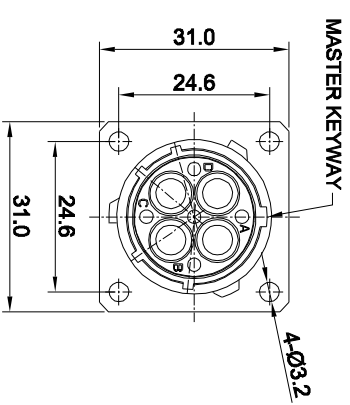
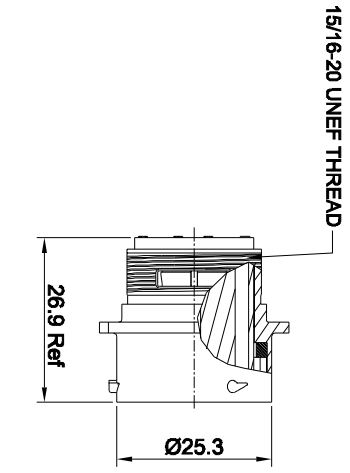


REVISIONS				
REV	ECO	DESCRIPTION	DATE	BY APPR
B1	-	RELEASED DRAWING	JUN-20-2014	BEN TOMMY



KEY POS	PART NUMBER
-40°C ~ 105°C	-40°C ~ 125°C
N	RT00164P#N RT00164P#N03
W	RT00164P#W RT00164P#W03
X	RT00164P#X RT00164P#X03
Y	RT00164P#Y RT00164P#Y03
Z	RT00164P#Z RT00164P#Z03

- NOTES : (UNLESS OTHERWISE SPECIFIED)
- MATERIAL :  
SHELL : ZINC ALLOY , NICKEL PLATED.  
INSERT : THERMOPLASTIC , UL94 V-0.  
SEAL GASKET : NBR/SILICONE RUBBER.
  - SPECIFICATIONS :  
2.1 RATED CURRENT : 45A (MAX).  
2.2 RATED VOLTAGE : 500V ( AC/DC ).  
2.3 OPERATING TEMPERATURE : SEE CHART.  
2.4 DIELECTRIC WITHSTANDING VOLTAGE : LESS THAN 2 MILLIAMPS CURRENT LEAKAGE@2000 VOLTS AC.  
2.5 INSULATION RESISTANCE : 5000 MEGOHMS MIN.  
2.6 IP--CLASS : IP67.  
2.7 MATING CYCLES DURABILITY : 500 CYCLES MIN.  
2.8 ROHS COMPLIANT.
  - SUITABLE CONTACTS : 8# CONTACTS.
  - ALL DIMENSIONS ARE FOR REFERENCE USE ONLY.

PANEL CUT OUT REFERENCE

QUANTITY	SEE PART NUMBER CHART	PART NUMBER	DESCRIPTION	ITER
<b>MATERIALS LIST</b>				

SIGNATURES	DATE
DWGN: BBI	JUN20/14
CHKD: BBI	
ENGR: BBI	
APPROVAL:	
CUSTOMER:	

UNLESS OTHERWISE SPECIFIED 1) ALL DIMENSIONS ARE IN MILLIMETERS. 2) TOLERANCES ARE AS SHOWN. 3) P. DIMS. ARE AS SHOWN. 4) HOLE REFERENCE = A	THIS DRAWING IS SUPPLIED FOR SPECIFICATIONS AND PERFORMANCE DATA ONLY. IT IS NOT TO BE USED FOR THE MANUFACTURE OR REPRODUCTION OF PARTS. ALL MANUFACTURING VARIATION	SIZE: B TYPE: C- SCALE: NONE	DWG NO: RT00164P##	REVISION: B1
--	---	------------------------------------	--------------------	--------------

**Amphenol**  
Sine Systems - www.amphenol-sine.com  
44724 Morley Drive  
Clinton Township, MI 48038

ECO-MATE RECEPTACLE,  
SIZE 16, 4POS, PIN.