

PRODUCT NO.  
73725

PRODUCT NUMBER CODE

73725-X X X C X LF

HOUSING COLOR OPTION

- 0-WHITE
- 1-BLACK

SENSOR CONTACT OPTION

- 0-WITH SENSOR CONTACT
- 1-WITHOUT SENSOR CONTACT

SHIELD PLATING OPTION

- 1- 1.25µm MINIMUM NICKEL UNDERPLATE & 2.5µm MINIMUM BRIGHT TIN OVER ALL AREA. (HOLD DOWN STYLE "A")
- 2- 1.25µm MINIMUM NICKEL UNDERPLATED OVER ALL; 2.5 µm MINIMUM MATTE TIN PLATED ON HOLD DOWN AREA ONLY.(HOLD DOWN STYLE "B")
- 3- 1.25µm MINIMUM NICKEL UNDERPLATED OVER ALL; 2.5 µm MINIMUM MATTE TIN PLATED ON HOLD DOWN AREA ONLY.(HOLD DOWN STYLE "A")
- 4- 1.25µm MINIMUM NICKEL UNDERPLATED & 2.5µm MINIMUM BRIGHT TIN OVER ALL AREA. (HOLD DOWN STYLE "B")
- 5- 1.25µm MINIMUM NICKEL UNDERPLATED OVER ALL; 2.5µm MINIMUM MATTE TIN PLATED ON HOLD DOWN AREA ONLY (HOLD DOWN STYLE "C")
- 6- 1.25µm MINIMUM NICKEL ONLY. (HOLD DOWN STYLE "A")
- 7- 1.25µm MINIMUM NICKEL UNDERPLATED & 2.5 µm MINIMUM MATTE TIN PLATED OVER ALL. (HOLD DOWN STYLE "A")
- 8- 1.25µm MINIMUM NICKEL UNDERPLATED & 2.5 µm MINIMUM MATTE TIN PLATED ALL AREA. (HOLD DOWN STYLE "B")
- 9- 1.25µm MINIMUM NICKEL UNDERPLATED OVER ALL; 2.5 µm MINIMUM MATTE TIN PLATED ON HOLD DOWN AREA ONLY (HOLD DOWN STYLE "D")
- S- 1.25µm MINIMUM NICKEL ONLY.(HOLD DOWN STYLE "A"). HIGH PERFORMANCE MATERIAL FOR 12,000 DURABILITY CYCLES
- A- 1.25µm MINIMUM NICKEL PLATED OVER ALL 2.5 µm MINIMUM MATTE TIN PLATED ON HOLD DOWN AREA ONLY (HOLD DOWN STYLE "F")
- B- 1.25µm MINIMUM NICKEL PLATED OVER ALL 2.5 µm MINIMUM MATTE TIN PLATED ON HOLD DOWN AREA ONLY (HOLD DOWN STYLE "F")

TERMINAL OPTION

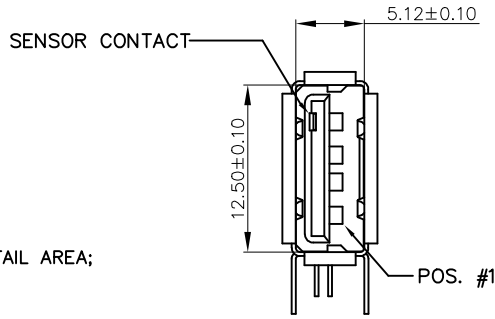
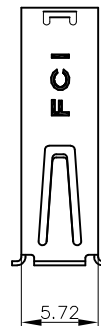
50u" NI UNDERPLATE; 30u" GXT CONTACT AREA,100u" TIN TAIL AREA;

- 0- DIM "A": 2.29 (TERMINAL TAIL LENGTH);
- 1- DIM "A": 3.71 (TERMINAL TAIL LENGTH);
- 2- DIM "A": 3.00 (TERMINAL TAIL LENGTH);

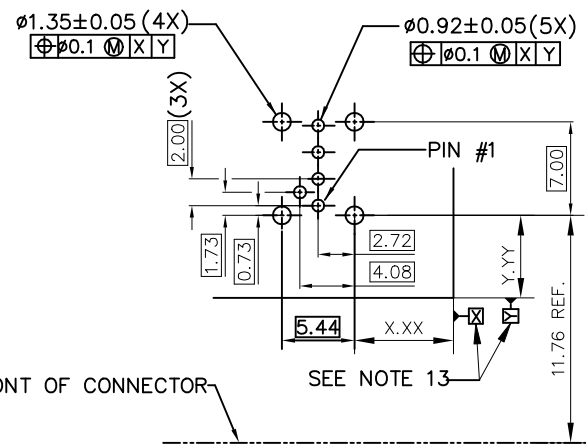
NOTES:

1. MATERIAL:  
CONTACTS: COPPER ALLOY  
SHIELD: COPPER ALLOY  
HOUSING: UL 94V-0 THERMOPLASTIC, COLOR: SEE PRODUCT CODE
2. PLATING:  
CONTACTS: GOLD FLASH OVER PALLADIUM NICKEL (0.76µm MINIMUM) IN CONTACT AREA; 2.5 µm TIN MINIMUM IN SOLDER TAIL AREA.  
1.27 µm MINIMUM NICKEL UNDERPLATE OVER ALL SURFACES.  
SHIELD: SEE PRODUCT NUMBER CODE.  
(THE PLATING MEASURE POINT ON THE SHIELD HOLD DOWN AREA ONLY).
3. DATUMS & BASIC DIMENSIONS TO BE DETERMINED BY CUSTOMER
4. RECOMMENDED PCB BOARD THICKNESS IS 1.00 ~ 1.60mm EXCEPT 73725-1191BLF; 73725-1191BLF CAN BE USED FOR THE PCB BOARD THICKNESS 2.30 ~ 2.65mm.
5. MAXIMUM PANEL THICKNESS TO BE 2.67mm IF MOUNTED BEHIND PANEL
6. METAL SHELL SLIVER 0.20 MAX.
7. NI PLATING DOES NOT COMPLY WITH THE USB STANDARDS (TO BE CONTINUED)

- LEAD FREE OPTION  
SEE NOTE 9
- PACKAGING OPTION  
B - TUBE  
R - TAPE&REEL
- SPECIAL CODE FOR CISCO

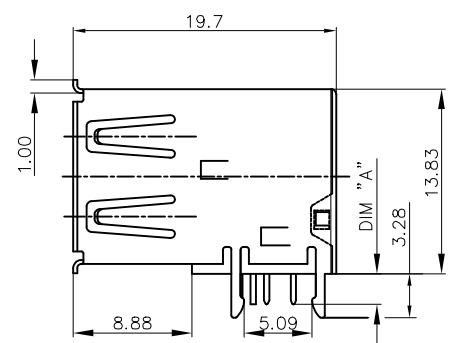


WITH SENSOR CONTACT



FRONT OF CONNECTOR

PC BOARD MOUNTING DIMENSIONS FOR 5 PIN



FOR 73725-X0X0B HOLD DOWN STYLE "A"

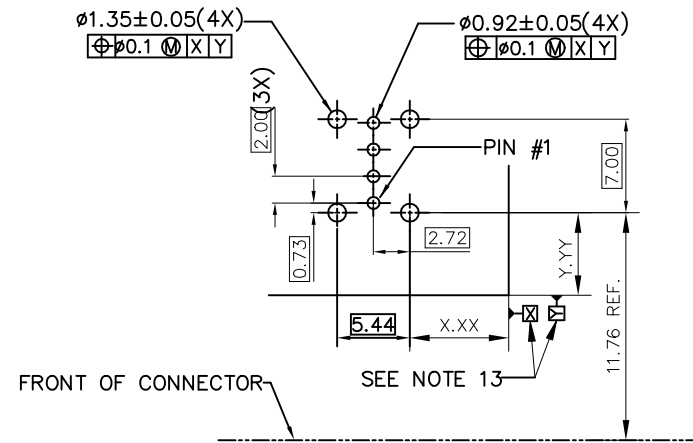
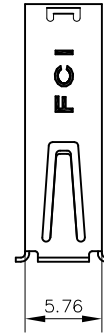
mat'l. code		surface <sub>123</sub> tolerance		projection	product family	
		ISO 1302	ISO 406 ISO	1101	HPL 511 USB 2.0	
ltr	ecn no	dr	date	tolerances unless otherwise specified		title
AJ	ELX-N-27708	LZ	2017/08/15	angles	.0±.30	USB UP-RIGHT RECEPT
AK	ELX-N-34768	YY	2019/09/19	linear	.00±.20	
AL	ELX-N-39429	YY	2020/12/04	0°±2'	.000±.10	scale 1:1
AL1	-	TY	2022/02/25	dr	PAMP	5/20/97
				eng	R Y LIU	5/20/97
AG	ELX-N-21594	LQ	08/04/2015	chr	R Y LIU	5/20/97
AH	ELX-N-21919	LQ	08/04/2015	app	JENN TSAO	5/20/97
sheet	revision					
index	sheet					

Amphenol FCI  
dwg no 73725  
sheet 1 of 4  
size A3  
type Product Customer Drawing

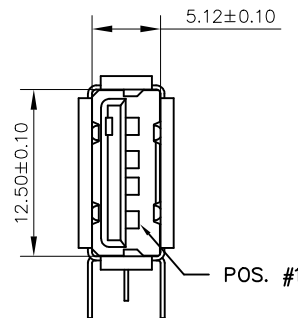
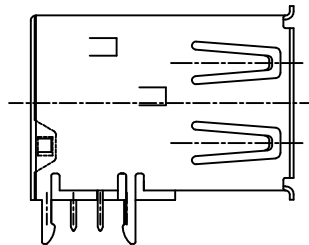
PRODUCT NO.  
73725

(CONTINUED)

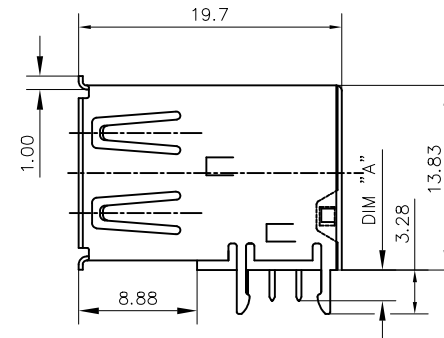
8. P/N'S WITH SUFFIX "LF" ARE LEAD FREE P/N'S
9. FOR LEAD FREE P/N, THE PRODUCT MEET EUROPEAN UNION DIRECTIVES AND OTHER COUNTRY REGULATION AS DESCRIBED IN GS-22-008
10. FOR THE PRODUCTS WITH THE METAL SHELL PLATING NICKEL AND MATTE SN CAN WITHSTAND EXPOSURE TO 260°C PEAK TEMPERATURE FOR 40 SECONDS IN A CONVECTION, INFRA-RED OR VAPOR PHASE REFLOW PROCESS; FOR THE PRODUCTS WITH METAL SHELL PLATING BRIGHT SN OR SEMI-BRIGHT SN CAN'T WITHSTAND REFLOW AND JUST CAN WITHSTAND EXPOSURE TO 260°C PEAK TEMPERATURE FOR 10 SECONDS IN WAVE SOLDERING PROCESS.
11. FOR ALL LEAD FREE P/N'S, WITH SUFFIX LF.
12. THE PRODUCT CAN BE USED FOR PIP PROCESS
13. DATUM OF CUSTOMER'S PCB LAYOUT.
14. TID NUMBER: 63000197.



PC BOARD MOUNTING DIMENSIONS FOR 4 PIN



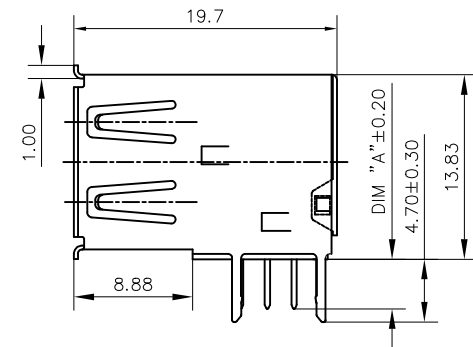
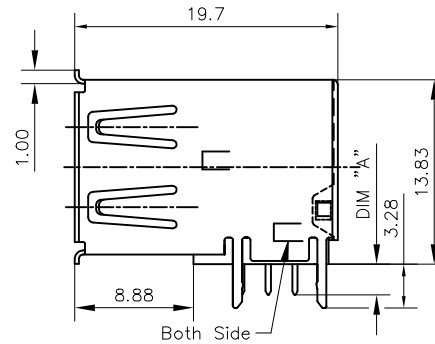
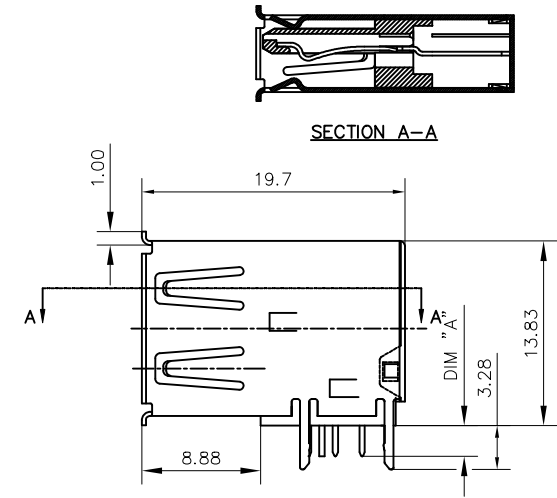
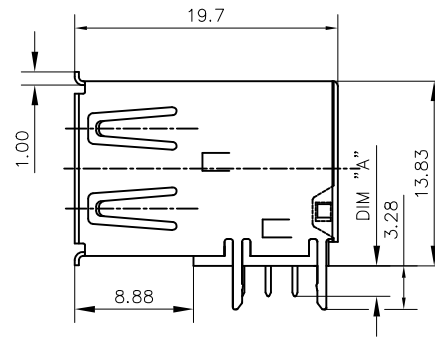
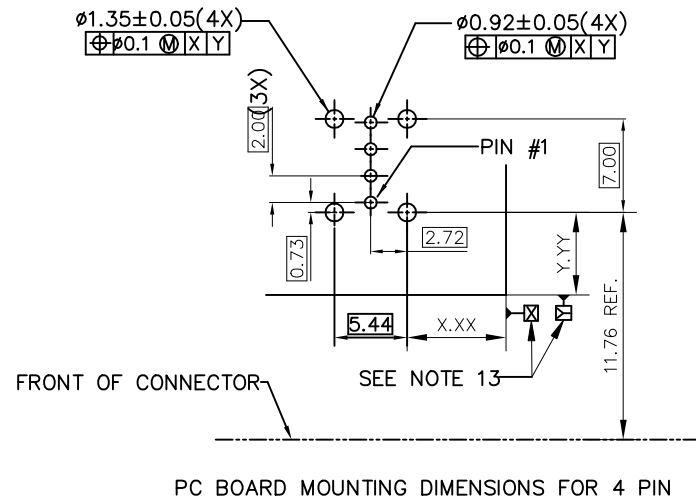
WITHOUT SENSOR CONTACT



FOR 73725-X1X0B  
HOLD DOWN STYLE "A"

mat'l. code		surface <sup>123</sup> / tolerance	projection	product family
		ISO 1302 / ISO 406 ISO	ISO 1101	HPL 511 USB 2.0
ltr	ecn no	dr	date	title
AL1				USB UP-RIGHT RECEPT
		tolerances unless otherwise specified	mm	scale 1:1
		angles	linear	
		0°±2'	.0±.30 .00±.20 .000±.10	
		dr	PAMP 5/20/97	Amphenol FCI
		engr	R Y LIU 5/20/97	dwg no
		chr	R Y LIU 5/20/97	73725
		appd	JENN TSAO 5/20/97	sheet 2 of 4
				size A3
				type Product Customer Drawing
sheet index	revision sheet			

PRODUCT NO.  
73725

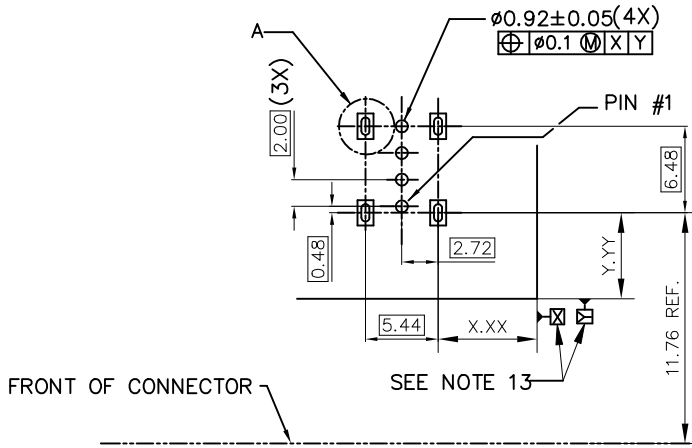


Amphenol  
FCI

© 2016 AFCI

mat'l. code		surface <sup>123</sup> tolerance		projection		product family	
		ISO 1302 ✓ ISO 406 ISO 1101		1101		HPL 511 USB 2.0	
ltr		ecn no		dr		date	
AL1							
		tolerances unless otherwise specified		mm		title	
		angles linear		.0±.30		USB UP-RIGHT RECEIPT	
		0±2'		.00±.20		dwg no	
				.000±.10		sheet 3 of 4	
		dr		PAMP		5/20/97	
		engr		R Y LIU		5/20/97	
		chr		R Y LIU		5/20/97	
		appd		JENN TSAO		5/20/97	
sheet index		revision sheet				type Product Customer Drawing	

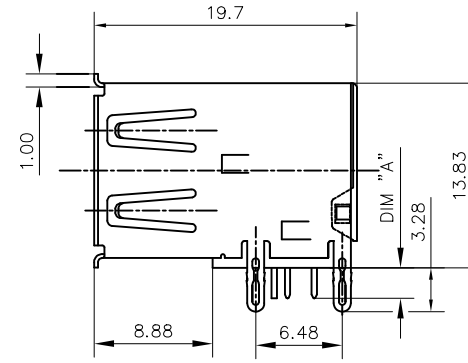
PRODUCT NO.  
73725



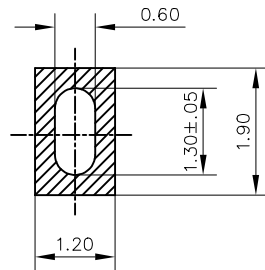
FRONT OF CONNECTOR

SEE NOTE 13

PC BOARD MOUNTING DIMENSIONS FOR 4 PIN



WITHOUT SENSOR CONTACT  
FOR 73725-X150B  
HOLD DOWN STYLE "C"



DETAIL A 5 : 1

mat'l. code		surface <sub>123</sub> tolerance		projection		product family	
		ISO 1302 ✓ ISO 406 ISO 1101		mm		HPL 511 USB 2.0	
ltr		ecn no		dr		date	
AL1							
angles		linear		tolerances unless otherwise specified		title	
0°±2'				.0±.30 .00±.20 .000±.10		USB UP-RIGHT RECEPT	
dr		PAMP		5/20/97		dwg no	
engr		R Y LIU		5/20/97		sheet 4 of 4	
chr		R Y LIU		5/20/97		size	
appd		JENN TSAO		5/20/97		A3	
sheet index		revision sheet				type Product Customer Drawing	

单击下面可查看定价，库存，交付和生命周期等信息

[>>Amphenol\(安费诺\)](#)