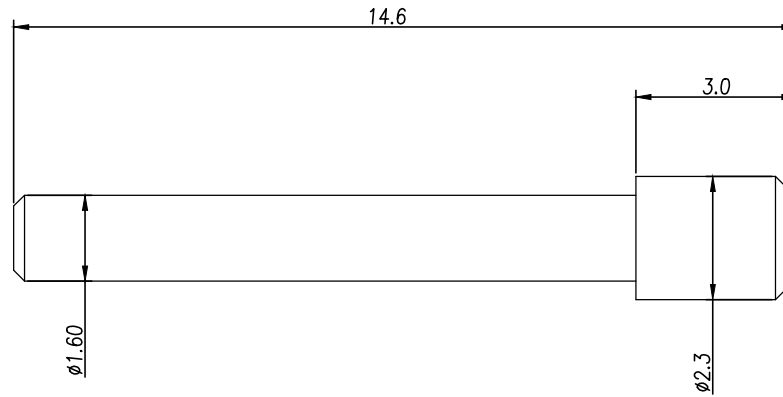
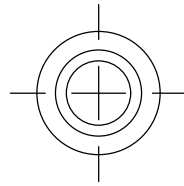
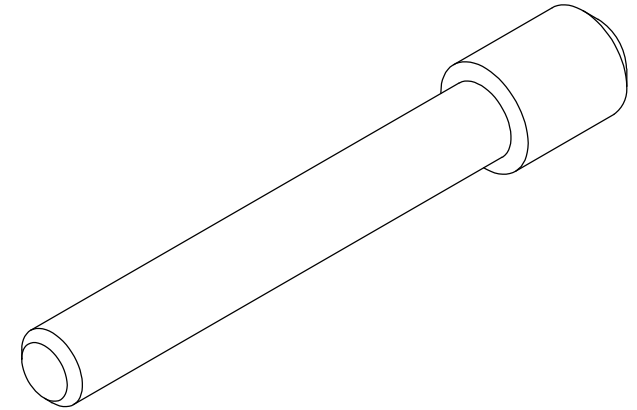


THIS DRAWING IS SUPPLIED FOR INFORMATION ONLY. DESIGN FEATURES, SPECIFICATIONS AND PERFORMANCE DATA SHOWN HEREON ARE THE PROPERTY OF THE AMPHENOL CORPORATION. NO RIGHTS OF REPRODUCTION ARE IMPLIED. ALL DIMENSIONS ARE SUBJECT TO NORMAL MANUFACTURING VARIATIONS.

Customer Drawing

REVISIONS						
REV	ZONE	ECO	DESCRIPTION	DATE	BY	APPR
A	--	--	INITIAL RELEASE	10/12/18	FL	JL



Notes:  
 1. Material: Thermoplastic, White  
 2. Flame Class: UL94V-0  
 3. Temp: -40 C to 125 C.  
 4. RDHS compliance

		Amphenol Technical Products International GZ				PART NAME: Seal Plug 20AWG		
		第三角投影 THIRD ANGLE PROJECTION 	页面 SHEET 1 of 1	幅面 SIZE A3	版次 REV. A	比例 SCALE	DWG NO: AC-CP000382	
签名 SIGNATURE 制图 DRAWN: FL 审核 CHECKED: YM 批准 APPROVAL: JL		日期 DATE 10/12/18		UNLESS OTHERWISE SPECIFIED 1) All dimensions are in metric(mm). 2) Tolerances are as follows: 0 PL DEC ±1.00 1 PL DEC ±0.50 2 PL DEC ±0.20			CUST PART #: N/A	
				角度 ±1° Angles ±1°			CUST REV. -	

单击下面可查看定价，库存，交付和生命周期等信息

[>>Amphenol\(安费诺\)](#)