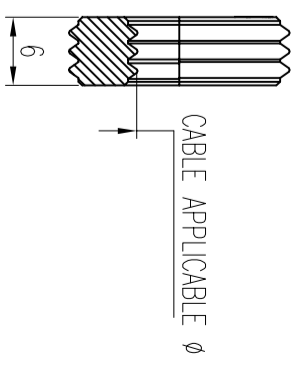
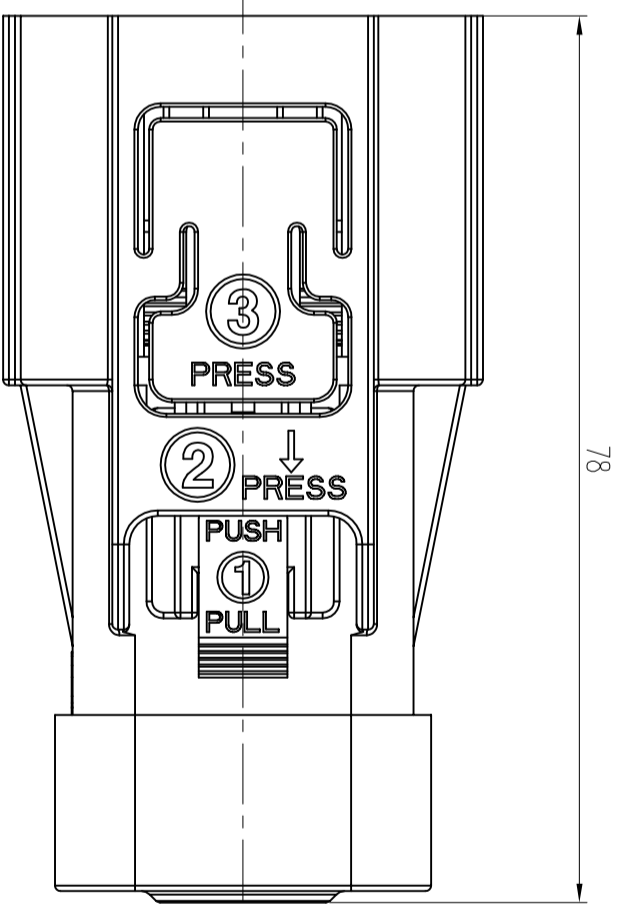
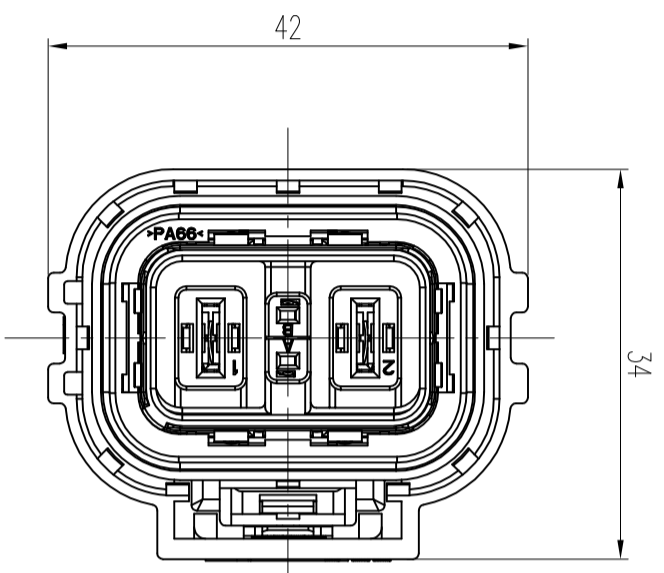
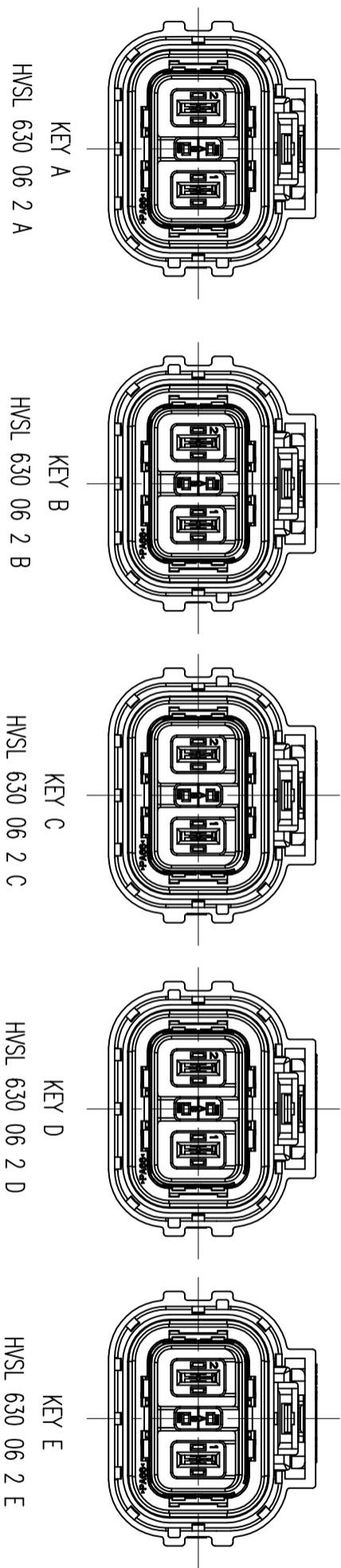


REV	ECN	DESCRIPTION	DATE	MODIFIED
1		PRE-RELEASE	2013.09.16	
2		UPDATE	2013.11.01	G.TANG
3		UPDATE	2013.12.01	G.TANG
4		UPDATE	2014.08.18	Eric



***TECHNICAL PARAMETERS**

Material
 Housing : PA66 UL94-V0
 Contacts: Copper alloy, Silver plated
 Shield: Copper alloy
 Seal: Silicone

Mechanical data
 Operating Temperature: -40°C +125°C
 Durability: 30 cycles
 Contact Type: Crimping
 IP67, IP2XB

Electrical data
 Withstand Voltage: 3000V AC r.m.s
 Rated Current : 25A(4mm² cable)
 40A(6mm² cable)
 Rated Voltage: 630V
 Insulation Resistance: >200MΩ
 Contact Resistance: < 2 mΩ
 Suited to fit 4~6mm² cable
 Shielded

***NOTES:**
 1. DEFAULT PACKING ARE NOT INCLUDING CONTACT AND CABLE SEAL, PLEASE REF. TABLE BELOW FOR THE CORRECT SELECTION.

OPTION FOR CONTACT	HVSL CONTACT	OPTION FOR CABLE SEAL(DEPENDS ON DIAMETER OF CABLE)
MAIN CONTACT	HVSL CONTACT	φ12
C310003623	C310003614	φ11
		φ10
		C270003607
		C2700036071
		C2700036072

DIMENSIONS	TOLERANCES	PROJECTION
ANSI Y14.5M UNITS: MM CAD FILE	X ± 0.1 XX ±0.02 ANGLES ±0.5°	

Amphenol Pcd Shenzhen
 ENGR
 G.TANG
 2013.09.16

TITLE
 HVSL630 PLUG ASSEMBLY

ORIGINAL NOT FOR CUSTOMER DISTRIBUTION	THIS DOCUMENT CONTAINS PROPRIETARY INFORMATION WHICH IS THE CONFIDENTIAL PROPERTY OF AMPHENOL PCD SHENZHEN	CHKD APPD	SIZE A3	DWG NO. C-HVSL 630 06 2 X	REV 4
		CODE:	SCALE 3:2	SHEET 1 OF 1	

单击下面可查看定价，库存，交付和生命周期等信息

[>>Amphenol\(安费诺\)](#)