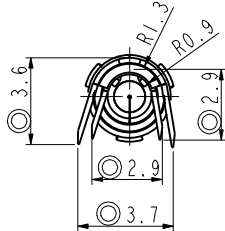
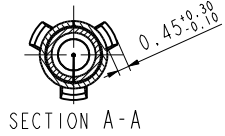
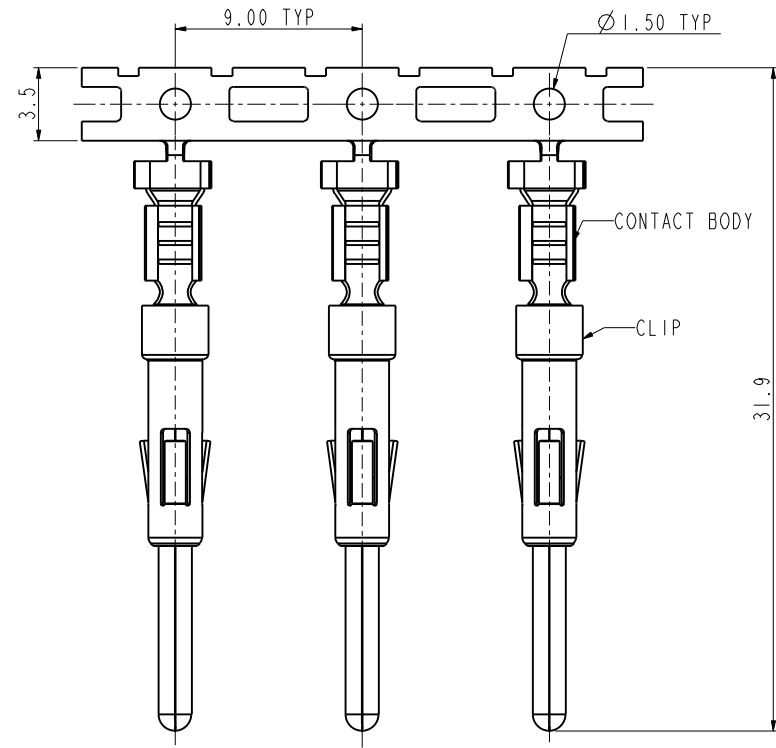
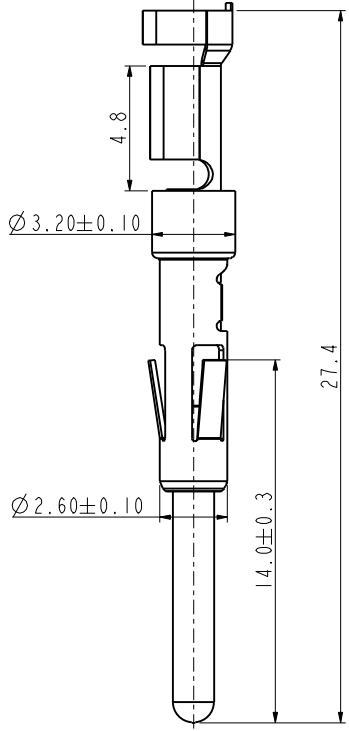
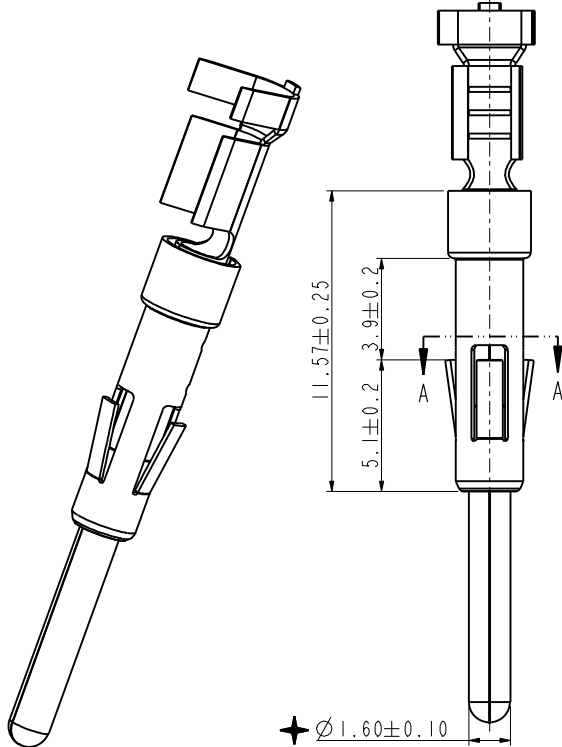


REV	ECN	DESCRIPTION	DATE	MODIFIED
A	C3003	RELEASE		LUIK.PENG

Amphenol PCD SZ  
ORIGINAL  
PDF Format  
R&D



安费诺精密连接器(深圳)有限公司  
Amphenol PCD Shenzhen  
受控文件  
2018年10月11日



SCALE 4:1

- ★: IS CRITICAL CHARACTERISTIC SYMBOL, ◎: IS IMPORTANT CHARACTERISTIC SYMBOL.
- NOTES:
- ★ 1. MATERIAL: CONTACT BODY: COPPER ALLOY; T=0.3mm, CLIP: STAINLESS STEEL, T=0.15mm.
  2. CONTACT BODY PLATING: TIN PLATING.
  - ◎ 3. WIRE RANGE: 18~14AWG(0.75~2.0 SQ MM), WIRE INSULATION OD RANGE: FROM 2.2MM TO 3.0MM.
  - ★ 4. ROHS COMPLIANCE.
  5. REEL PACKING 3000PCS PER REEL.

DIMENSIONS	TOLERANCES	PROJECTION	TITLE		
ANSI Y14.5M UNITS: MM Pro/E FILE	.X ±0.5 .XX ±0.05 ANGLES ±3.0°		MALE CONTACT Ø16 FOR 0.75~2.0MM <sup>2</sup>		
ORIGINAL	THIS DOCUMENT CONTAINS PROPRIETARY INFORMATION WHICH IS THE CONFIDENTIAL PROPERTY OF AMPHENOL PCD SHENZHEN		Amphenol Pcd Shenzhen		REV
			ENGR LUIK.PENG Mar-23-18	A	
			CHKD APPD	SIZE A3	DWG NO. C-LVRC16SC01S
			CODE: 58982	SCALE: 5:1	SHEET 1 OF 1

单击下面可查看定价，库存，交付和生命周期等信息

[>>Amphenol\(安费诺\)](#)