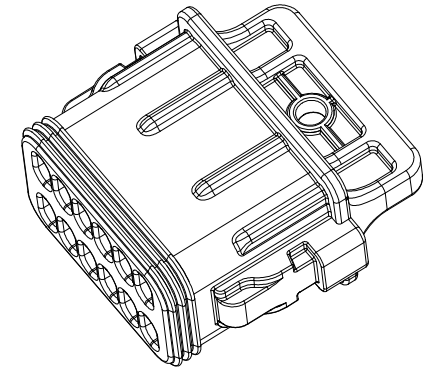


REVISIONS					
REV	ECO	DESCRIPTION	DATE	BY	APPR
01	-	RELEASE NUMBER	09/APR/19	ROOKIE	TOMMY



NOTES: UNLESS OTHERWISE SPECIFIED

1. COLOR: SEE P/N CHART
2. MATERIAL: THERMOPLASTIC ELASTOMER
3. RoHS COMPLIANT
4. KEYED: N/A
5. USE WITH CONNECTORS AT04-12P*
(* = MODIFICATIONS AND/OR COLORS)
6. ALL DIMENSIONS ARE FOR REFERENCE USE ONLY.

P/N CHART	
COLOR	P/N
RED	AT12P-RSC-RED
BLACK	AT12P-RSC-BLK

SEE P/N CHART		DESCRIPTION		ITEM
QUANTITY	PART NUMBER	MATERIALS LIST		
UNLESS OTHERWISE SPECIFIED 1) All dimensions are in metric(mm). 2) Tolerances are as follows: 1 PL DEC ±0.30 2 PL DEC ±0.15 3 PL DEC ±0.08 Fractions ±1/64 Angles ±1°		SIGNATURES DATE DRAWN: ROOKIE 09/APR/19 CHECKED: ORION 09/APR/19 ENGINEER: APPROVAL: TOMMY 09/APR/19 CUSTOMER:		
MATERIAL SPECIFICATIONS:		Amphenol Sine Systems - www.amphenol-sine.com 44724 Morley Drive Clinton Township, MI 48036		
PROCESS SPECIFICATIONS:		RECEPTACLE SEAL CAPS, 12 POS THIS DRAWING IS SUPPLIED FOR INFORMATION ONLY. DESIGN FEATURES, SPECIFICATIONS AND PERFORMANCE DATA SHOWN HEREON ARE THE PROPERTY OF THE AMPHENOL CORPORATION. NO RIGHTS OF REPRODUCTION ARE IMPLIED. ALL DIMENSIONS ARE SUBJECT TO NORMAL MANUFACTURING VARIATIONS.		
NEXT ASSY:		SIZE: B C- SCALE: NONE	DWG NO: AT12P-RSC-XXX SHEET 1 OF 1	REVISION: 01

TITLE: RECEPTACLE SEAL CAPS, 12 POS
 DWG NO: AT12P-RSC-XXX
 REV: 01
 SH: 1
 OF: 1

单击下面可查看定价，库存，交付和生命周期等信息

[>>Amphenol\(安费诺\)](#)