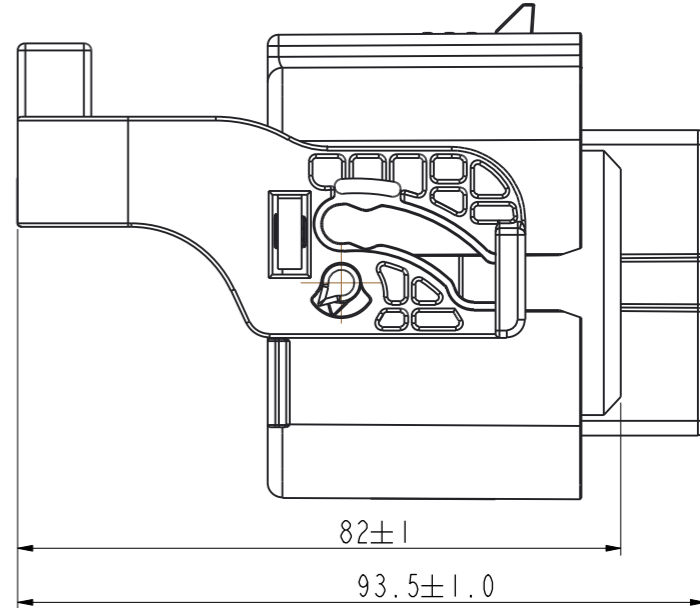
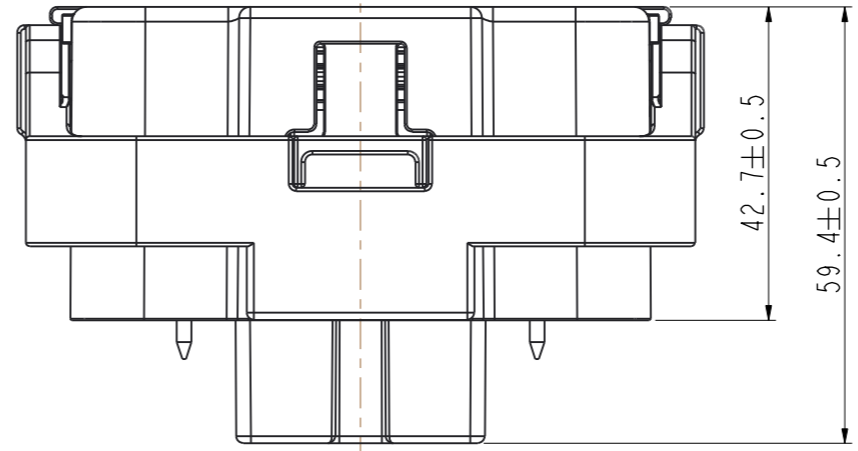
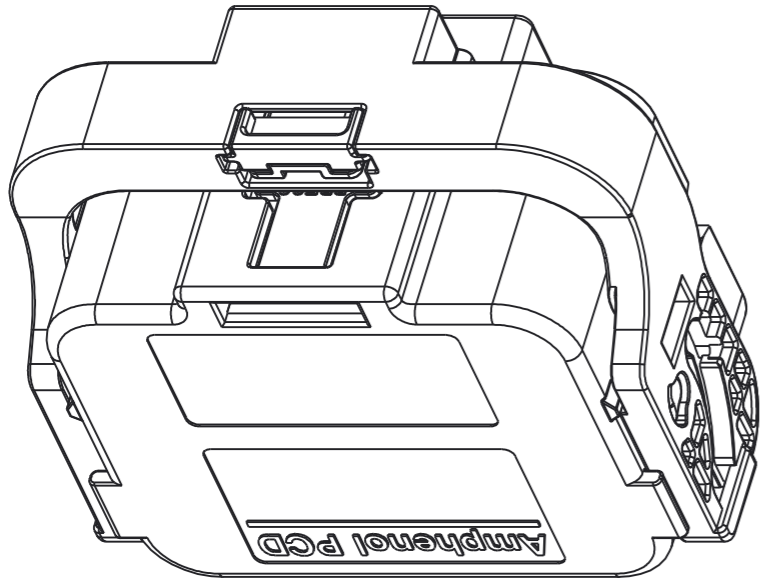
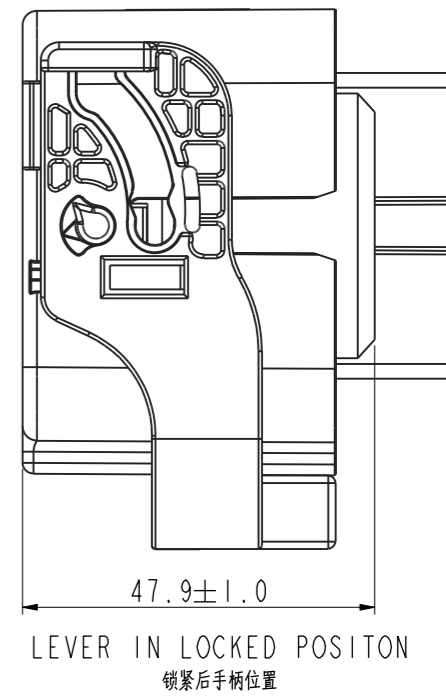
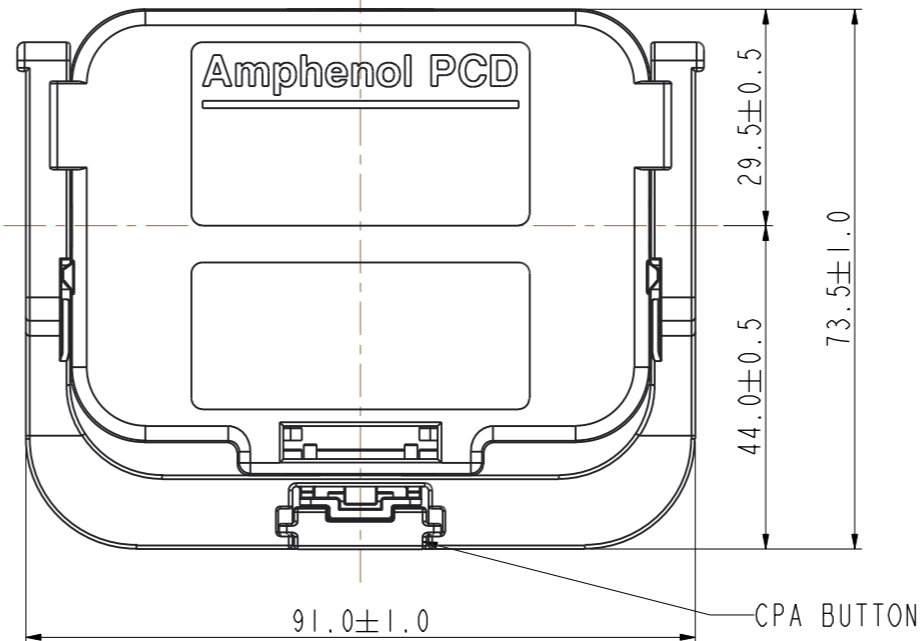
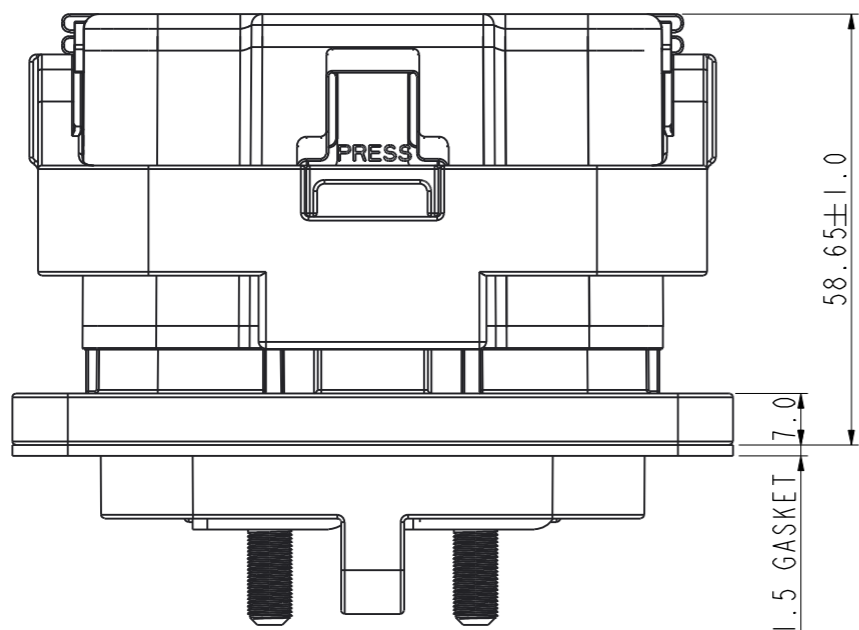


MINIMSD

REV	ECN	DESCRIPTION	DATE	MODIFIED
A		FIRST-RELEASE	2015.05.23	JACK.D
B		ADD MORE SELECTABLE FUSE	2017.12.01	T.H



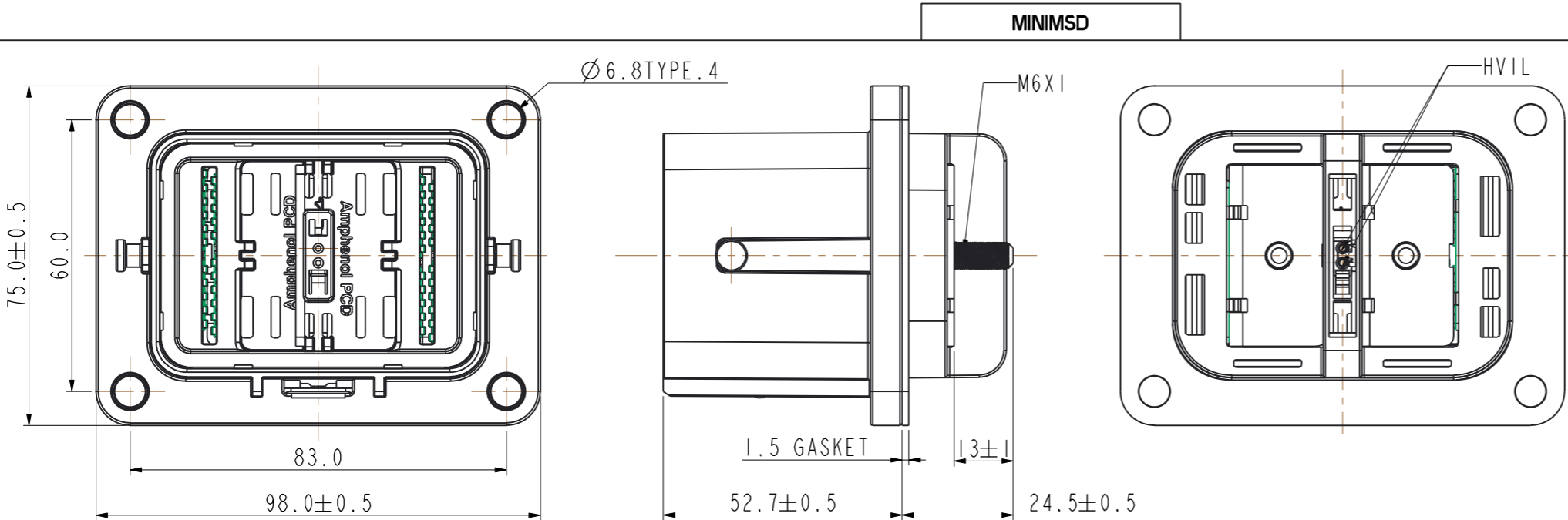
MINI-MSD PLUG

- BUSSMANN PART TYPE (巴斯曼熔断器型号) :
- | | |
|--------------------------------|------------------------------|
| 1. MINI-MSDM000 (WITHOUT FUSE) | 2. MINI-MSDM080 (FUSE=80A) |
| 3. MINI-MSDM100 (FUSE=100A) | 4. MINI-MSDM125 (FUSE=125A) |
| 5. MINI-MSDM160 (FUSE=160A) | 6. MINI-MSDM200 (FUSE=200A) |
| 7. MINI-MSDM250 (FUSE=250A) | 8. MINI-MSDM315 (FUSE=315A) |
| 9. MINI-MSDM350 (FUSE=350A) | 10. MINI-MSDM400 (FUSE=400A) |

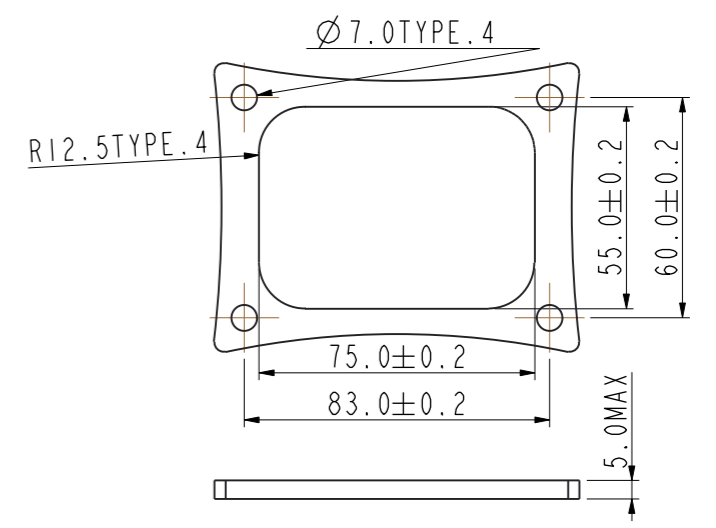
- ZHONGRONG PART TYPE (中熔熔断器型号) : B
- | | |
|------------------------------|------------------------------|
| 1. MINI-MSDM0801 (FUSE=80A) | 2. MINI-MSDM1001 (FUSE=100A) |
| 3. MINI-MSDM1251 (FUSE=125A) | 4. MINI-MSDM1601 (FUSE=160A) |
| 5. MINI-MSDM2001 (FUSE=200A) | 6. MINI-MSDM2501 (FUSE=250A) |
| 7. MINI-MSDM3151 (FUSE=315A) | 8. MINI-MSDM3501 (FUSE=350A) |
| 9. MINI-MSDM4001 (FUSE=400A) | |

FUSE 熔断器规格	80A	100A	125A	160A	200A	250A	315A	350A	400A	SHUNT
MARKING 对应插座印字	80A	100A	125A	160A	200A	250A	315A	350A	400A	SHUNT

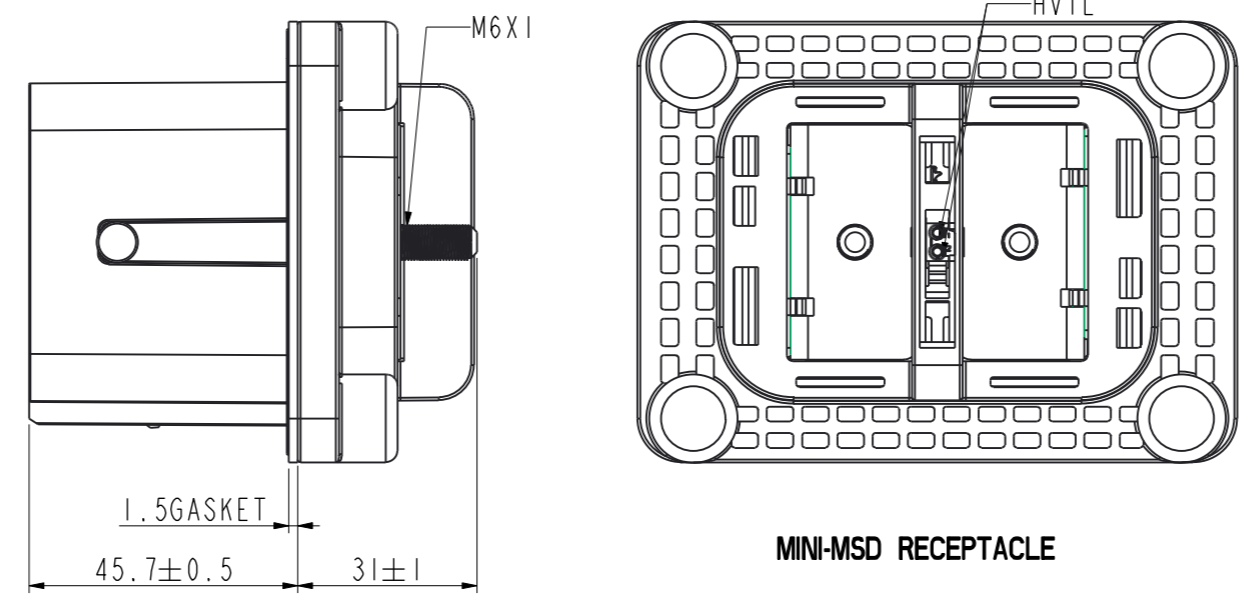
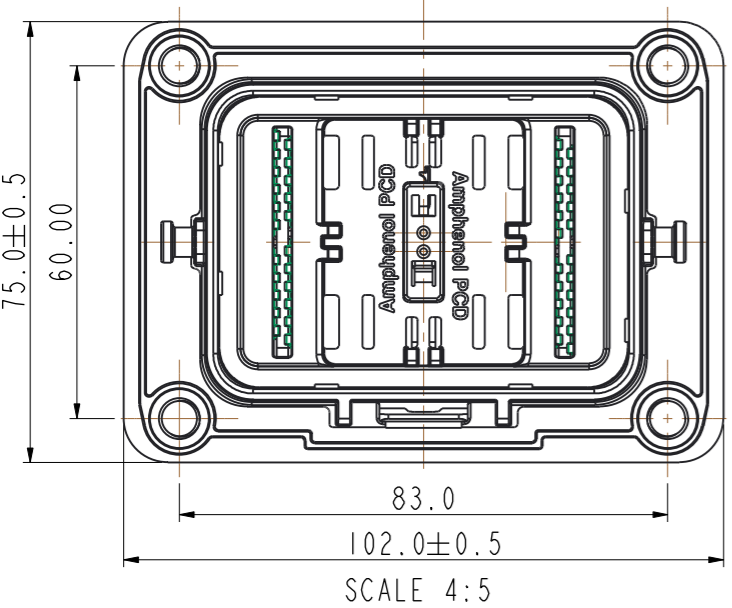
DIMENSIONS ANSI Y14.5M UNITS: MM Pro/E FILE	TOLERANCES .X ±0.5 .XX ±0.30 ANGLES ±1.0°	PROJECTION 	Amphenol Pcd Shenzhen		MINI-MSD SPEC MINI-MSDM-XXXX			
			ENGR JACK.D Apr-15-15	CHKD APPD				
ORIGINAL	THIS DOCUMENT CONTAINS PROPRIETARY INFORMATION WHICH IS THE CONFIDENTIAL PROPERTY OF AMPHENOL PCD SHENZHEN				SIZE A3	DWG NO. MINIMSD	SCALE:	SHEET 1 OF 2



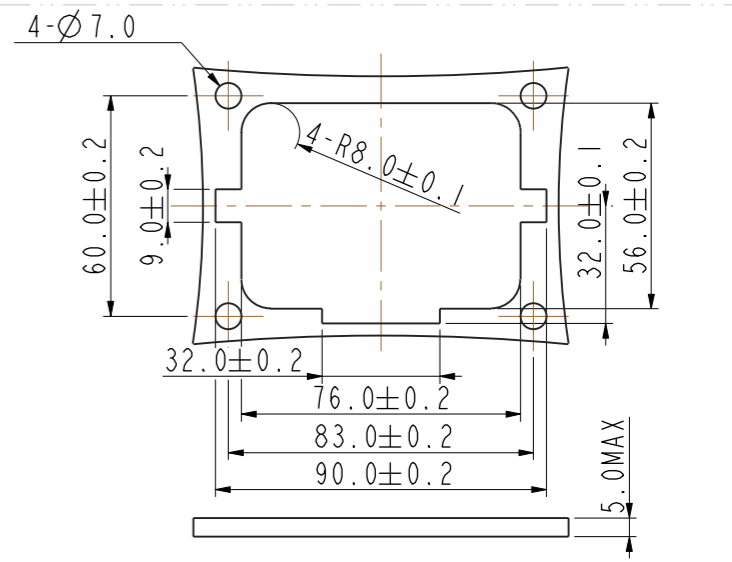
REV	ECN	DESCRIPTION	DATE	MODIFIED
-----	-----	-------------	------	----------



FRONT MOUNTING INTERFACE SPECIFICATION



MINI-MSD RECEPTACLE



REAR MOUNTING INTERFACE SPECIFICATION

- NOTES:
1. THREADED STUD TORQUE LIMITS (M6): 5.3Nm±0.5Nm 接线端子锁紧力矩(M6) 5.3Nm±0.5Nm
 2. HVIL CONNECTOR: MSD-HVIL-2S
HVIL信号连接器型号: MSD-HVIL-2S
 3. MOUNTING SURFACE THICKNESS: MAX 5mm 法兰安装板厚度 最大5mm
 4. INNER HOUSING MAY BE ASSEMBLED ROTATED 180° FROM AS SHOW
内部插芯有可能与图纸中的方向相差180°
 5. 额定工作电压: 1)带保险丝: 最大690V AC(巴斯曼熔断器); 最大750V DC(中熔熔断器); 2)不带保险丝 最大1500VDC
Rated Voltage: 1)MOUNTING FUSE: 690V AC(BUSSMANN FUSE); 750V DC(ZHONGRONG FUSE).
2)SHUNT, 1500V DC
 6. 额定工作电流: 1)带保险丝 由保险丝规格而变动 2)不带保险丝 最大170A
Rated Current: 1)BASED ON FUSE SELECTION
2)MAX170A(SHUNT, NO FUSE)
 7. 工作环境温度: -40°C ~ +70°C
Ambient Temperature: -40°C ~ +70°C
 8. 相对湿度40%~70% (温度为23±5°C)
Humidity: 40%~70% (AT 23±5°C)
 9. IP CODE: IP67 IP6K9K(MATED)

PART TYPE :
 1. MINI-MSDF000F (FRONT MOUNTING)
 2. MINI-MSDF000R (REAR MOUNTING)

DIMENSIONS ANSI Y14.5M UNITS: MM Pro/E FILE	TOLERANCES .X ±0.5 .XX ±0.30 ANGLES ±1.0°	PROJECTION 	Amphenol Pcd Shenzhen		MINI-MSDF-XXXX		
			ENGR	JACK.D			
ORIGINAL	THIS DOCUMENT CONTAINS PROPRIETARY INFORMATION WHICH IS THE CONFIDENTIAL PROPERTY OF AMPHENOL PCD SHENZHEN		CHKD		SIZE	DWG NO.	REV
			APPD	A3	MINIMSD	B	
		CODE: 58982		SCALE:	SHEET 2 OF 2		

单击下面可查看定价，库存，交付和生命周期等信息

[>>Amphenol\(安费诺\)](#)