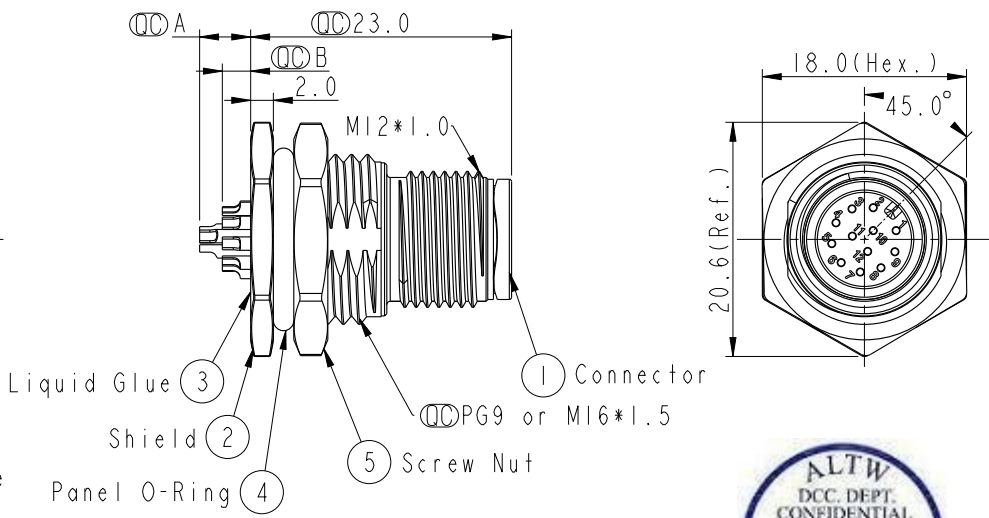
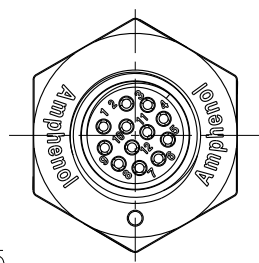
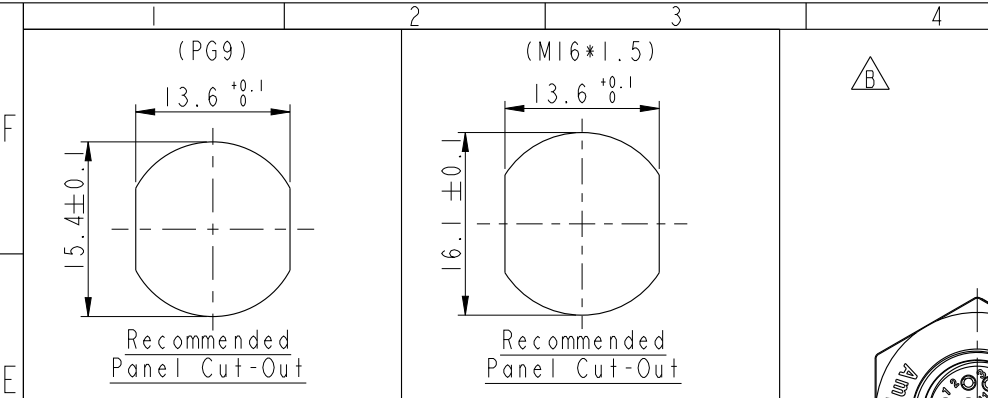


THIS DOCUMENT IS SUBJECT TO CHANGE WITHOUT NOTICE. IT IS CONFIDENTIAL AND A PROPERTY OF Amphenol LTW. DISCLOSURE TO THIRD PARTY HAS TO BE AUTHORIZED BY Amphenol LTW.

REV.	ECN NO.	DATE	SIGN	DESCRIPTION
B	LEN1570179~186 LE31570175~178	2015/07/18	Yulong_wang	Change to Share Drawing.
C	LEN1680931~942	2016/08/08	Yulong_wang	Add 6Pin & IP69K.



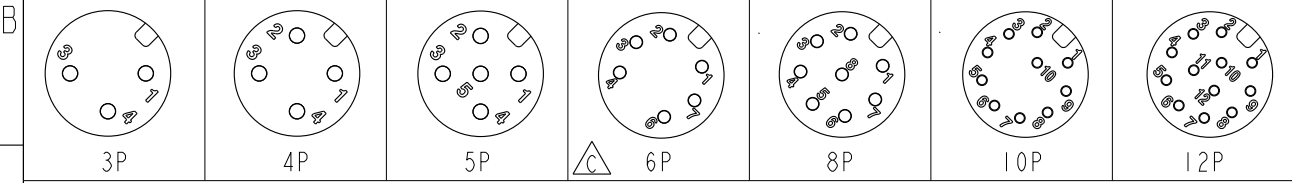
M I2A - XX P M M S - S F 8 XXX

12A: A-Code
 03: 3Pin
 04: 4Pin
 05: 5Pin
 06: 6Pin
 08: 8Pin
 10: 10Pin
 12: 12Pin

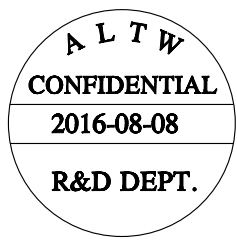
P: Panel (板端)
 M: Male Connector (公座)

001: PG9
 002: M16*1.5
 8: IP68/69K (防水等級68/69K)
 F: Front Fasten (前鎖式/Enclosure Rear Mount)
 S: Screw (螺紋式)
 S: Solder Type (焊接式)
 M: Male Pin (公Pin)

M12A-03PMMS-SF8XXX	2.5
M12A-04PMMS-SF8XXX	2.5
M12A-05PMMS-SF8XXX	2.5
M12A-06PMMS-SF8XXX	2.5
M12A-08PMMS-SF8XXX	2.5
M12A-10PMMS-SF8XXX	4.5 2.5
M12A-12PMMS-SF8XXX	4.5 2.5
Item No.	A B
	Pin伸出長度



Pin Assignment Front View



Note:

- * ⌀ Important Dimension.
- * Waterproof Rate: IP68, IP69K.
- * Housing: Nylon+GF, Black.
- * Male Pin: Copper Alloy, Gold Plated.
- * Shield: Zinc Alloy, Nickel Plated.
- * Screw Nut: Zinc Alloy, Nickel Plated.
- * Panel O-Ring: Viton, Black.
- * Rated Voltage: 3 & 4Pin 250V dc. or ac.
5Pin 60V dc. or ac.
6~12Pin 30V dc. or ac.
- * Rated Current: 3~5Pin 4A
6~8Pin 2A
10~12Pin 1.5A
- * Operating Temperature: -40~105°C
- * For Panel Thickness Max 4.5mm.
- * Recommended Nut Torque: 4-6 Kgf.cm.

UNIT: mm		TITLE M12 A-Code Male Conn. Solder Front Type
TOLERANCE .X ±0.25 .XX ±0.1 .XXX ±0.05 ANGLES ±1°	SCALE 3:2	SIZE A4
	REV. C	SHEET 1 OF 1
	WC-REV. A.6	⌀ Inspection item

Amphenol LTW
安費諾亮泰企業股份有限公司

ITEM NO.	DRAWN BY Yulong_wang	DATE 2016-08-08
DWG NO. M12A-XXPMMS-SF8XXX	CHECKED BY Jinhai	DATE 2016-08-08
CUSTOMER ALTW	APPROVED BY Jerry	DATE 2016-08-08

单击下面可查看定价，库存，交付和生命周期等信息

[>>Amphenol\(安费诺\)](#)