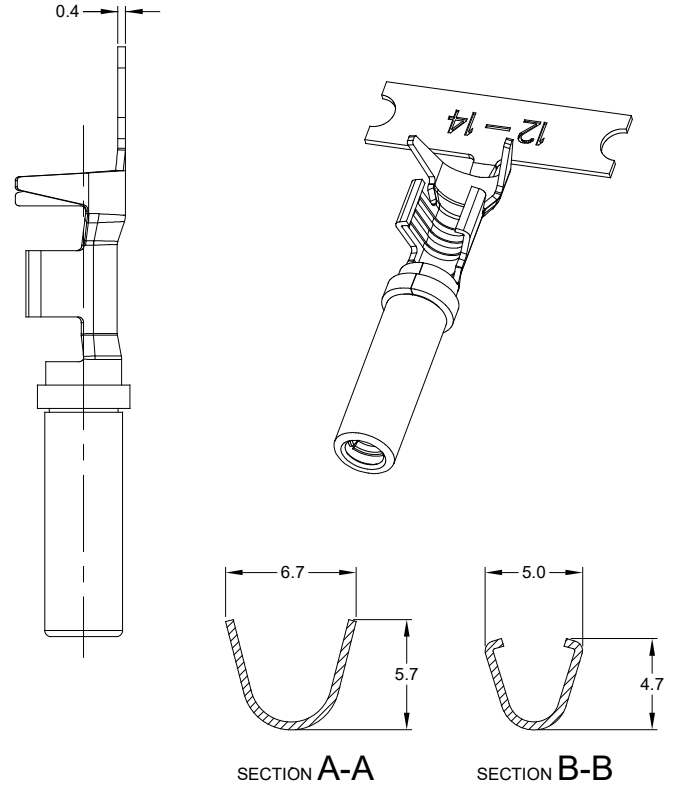
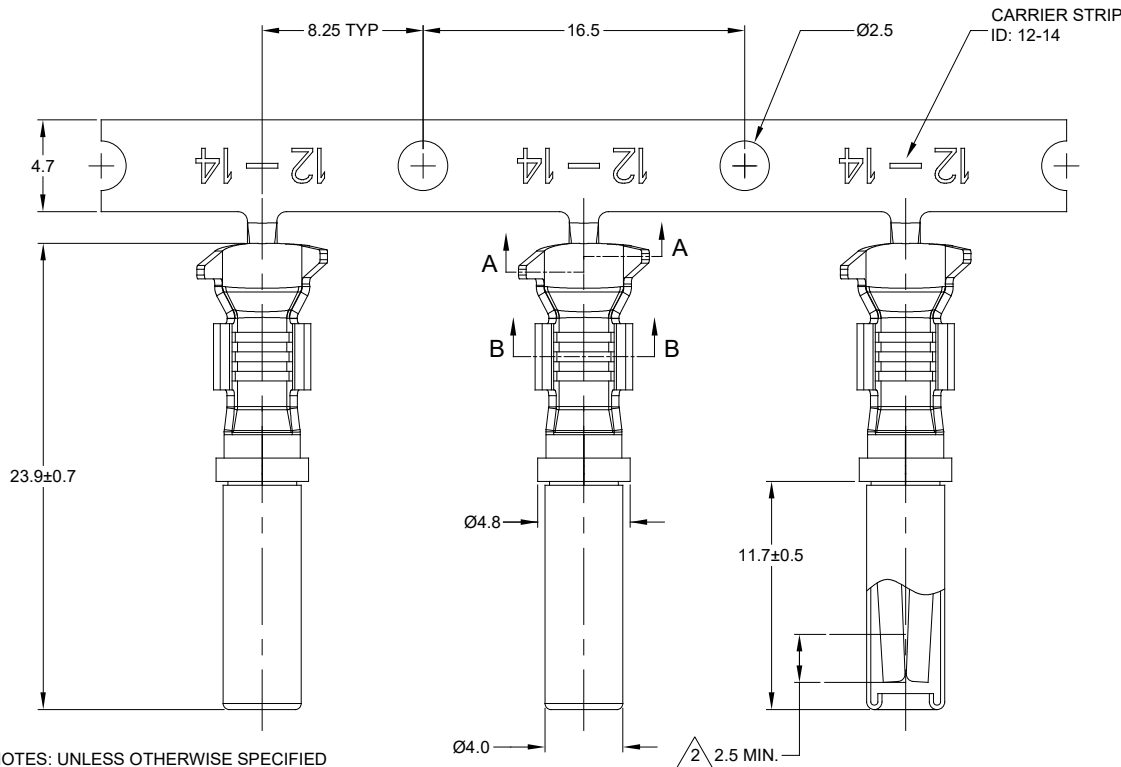
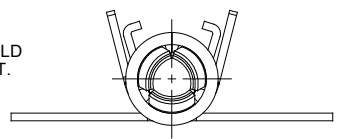


REVISIONS					
REV	ECO	DESCRIPTION	DATE	BY	APPR
A3	-	RELEASE NEW DWG FORMAT	21/OCT/13	DRP	-
A4	C1070S	UPDATE DRAWING	28/JUN/19	JOE	TOMMY



NOTES: UNLESS OTHERWISE SPECIFIED

- MATERIAL: COPPER ALLOY
- PLATING: SEE PART NUMBER CHART  
\*FOR GOLD PLATED CONTACTS: SELECTIVE GOLD FLASH IN CONTACT ZONE OR ENTIRE CONTACT.
- CONTACT SIZE: 12
- SPECIFICATIONS:
  - CURRENT RATING: 25 AMPS
  - CONTACT MILLIVOLT DROP: 100 MILLIVOLT DROP @ 25 AMP TEST CURRENT.
  - RoHS COMPLIANT
- RECOMMENDED WIRE RANGE: 12 - 14 AWG
- PACKAGE: 2000 PCS/REEL
- AVAILABLE APPLICATORS: MFX-3973-K OR MFX-3973-G
- ALL DIMENSIONS ARE FOR REFERENCE USE ONLY



PART NUMBER CHART	
PLATING	PART NUMBER
NICKEL	AT62-12-0166
GOLD	AT62-12-0144

SEE PART NUMBER CHART		REF: 1062-12-0144, 1062-12-0166	
PART NUMBER		DESCRIPTION	
QUANTITY	MATERIALS LIST		
UNLESS OTHERWISE SPECIFIED: 1) All dimensions are in metric (mm). 2) Tolerances are as follows: 1 PL DEC ±0.30 2 PL DEC ±0.15 3 PL DEC ±0.08 Fractions ±1/64 Angles ±1°		SIGNATURES      DATE	
MATERIAL SPECIFICATIONS:		DRAWN: JOE SONG      28/JUN/19	
PROCESS SPECIFICATIONS:		CHECKED: ORION LI      28/JUN/19	
NEXT ASSY:		ENGINEER:	
		APPROVAL: TOMMY XIE      28/JUN/19	
		CUSTOMER:	
		THIS DRAWING IS SUPPLIED FOR INFORMATION ONLY. DESIGN FEATURES, SPECIFICATIONS AND PERFORMANCE DATA SHOWN HEREON ARE THE PROPERTY OF THE AMPHENOL CORPORATION. NO RIGHTS OF REPRODUCTION ARE IMPLIED. ALL DIMENSIONS ARE SUBJECT TO NORMAL MANUFACTURING VARIATIONS.	
		<p style="text-align: center;"><b>Amphenol</b></p> <p style="text-align: center;">Sine Systems - www.amphenol-sine.com 44724 Morley Drive Clinton Township, MI 48036</p>	
		CONTACT, SOCKET, STAMPED, SIZE 12, 12-14 AWG, A SERIES	
SIZE	TYPE	DWG NO:	REVISION
B	C-	AT62-12-01XX	A4
SCALE: NONE		SHEET 1 OF 1	

TITLE: CONTACT, STAMPED, SIZE 12, 12-14 AWG, A SERIES  
DWG NO: AT62-12-01XX  
REV: A4  
SH: 1  
OF: 1

单击下面可查看定价，库存，交付和生命周期等信息

[>>Amphenol\(安费诺\)](#)