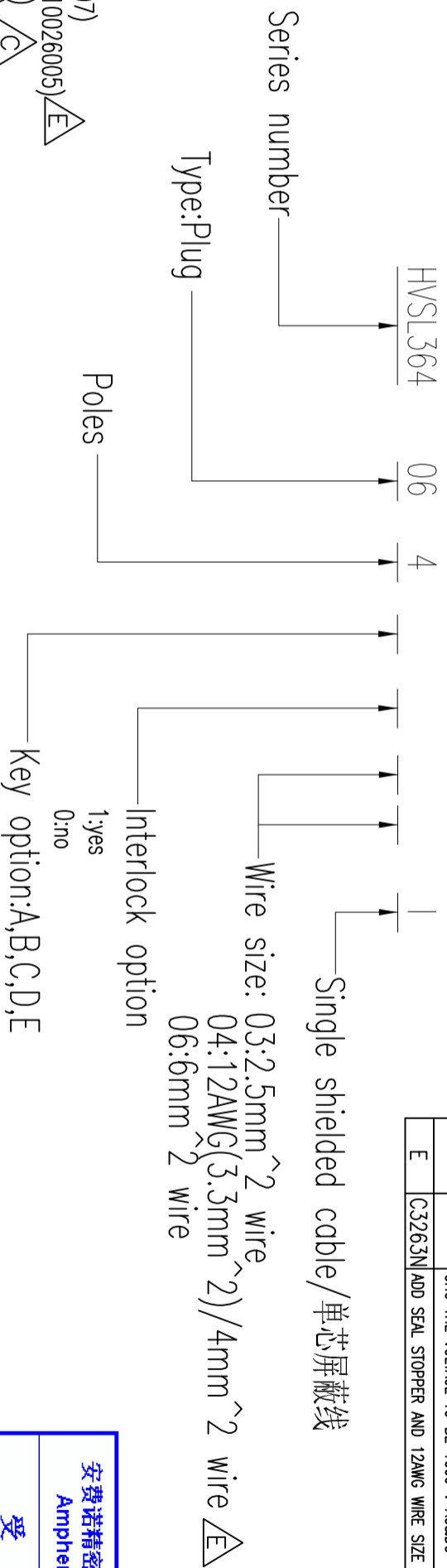


Amphenol PCD SZ
ORIGINAL
PDF Format

C-HVSL364064XXXX1

PART NUMBERING SCHEME

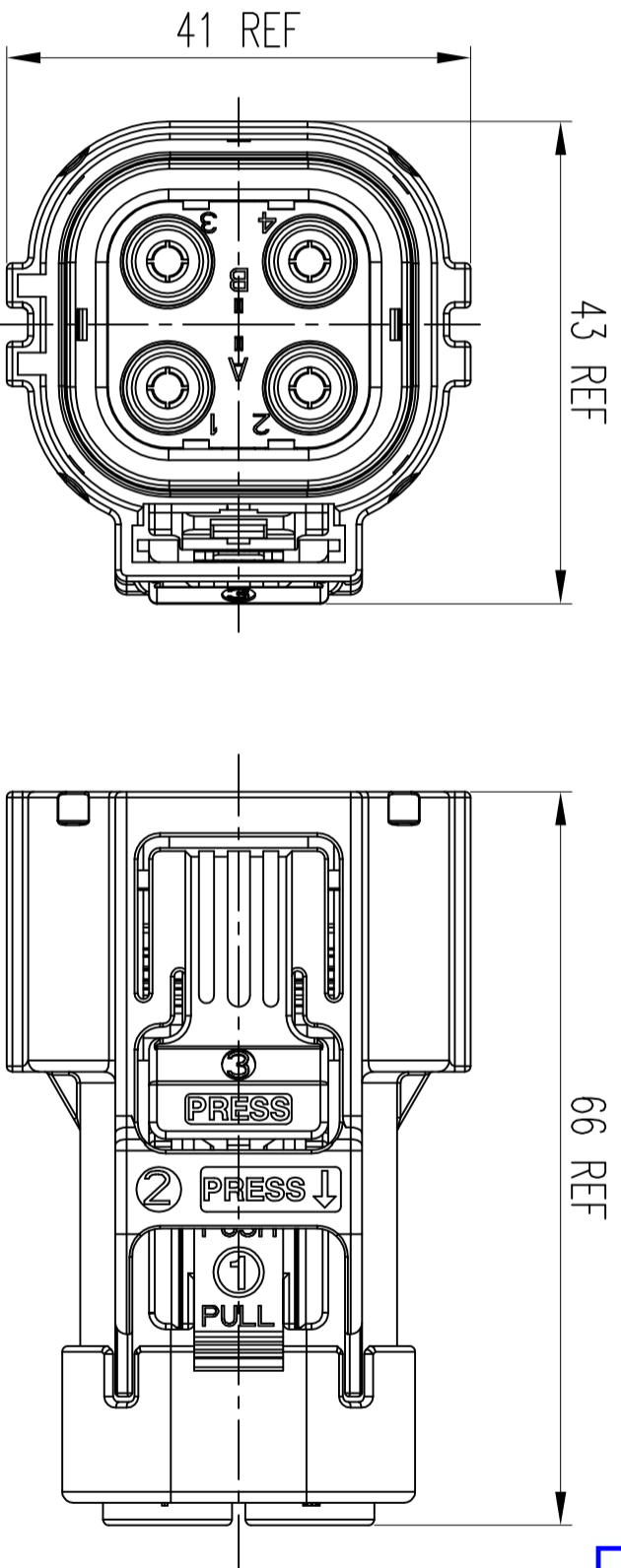


| REV | ECN | DESCRIPTION | DATE | MODIFIED |
|-----|--------|--|-----------|----------|
| C | C2873 | CHG TO TIN FINISH FOR 2.5&4 SQ CONTACT | Jul-2-18 | Rock |
| D | C3001 | CHG THE P/N FOR FERRULE FOR 4MM^2 WIRE CHG THE VOLTAGE TO BE 1000 V AC&DC | Sep-30-18 | Rock |
| E | C3263N | ADD SEAL STOPPER AND 12AWG WIRE SIZE | Apr-23-19 | LUIK |

安费诺精密连接器(深圳)有限公司
Amphenol PCD Shenzhen
受控文件
2019年5月14日

- Material
 - Housing : PA66 UL94-V0
 - Contacts: Copper alloy, Tin or Ag plated
 - Shield: Copper alloy, Tin plated
 - Seal: Silicone
 - Ferrule: Copper alloy, Tin plated
- * Rated Current :
 - 20A(2.5mm² cable-stamping power contact C310026007)
 - 25A(12AWG/3.3mm² cable-stamping power contact C310026005) $\triangle E$
 - 32A(4mm² cable-stamping power contact C310026005) $\triangle C$
 - 40A(6mm² cable-stamping power contact C310026001)
 - 40A(6mm² cable-machined power contact C200012102)
- APPLICATION: POLLUTION DEGREE II $\triangle E$
OVERVOLTAGE CATEGORY II
INHOMOGENEOUS FIELD
ALTITUDE NO MORE THAN 2000M
- IS CRITICAL CHARACTERISTIC SYMBOL \blackstar
- IS IMPORTANT CHARACTERISTIC SYMBOL $\triangle B$

| TECHINCAL DATA | | SPECIAL CHARACTERISTICS SYMBOL |
|---|------------------------|--------------------------------|
| VOLTAGE RATING | 1000V AC&DC | \blackstar |
| WITHSTAND VOLTAGE | 3000V AC | \blackstar |
| INSULATION RESISTANCE | >100M Ω | \blackstar |
| CURRENT RATING | SIGNAL CONTACT 5A | \blackstar |
| | POWER CONTACT SEE * | \blackstar |
| WATER PROOF (MATED CONDITION) | IP67 | \blackstar |
| IP FOR FINGER TOUCH (UNMATED CONDITION) | IP2XB | \blackstar |
| SHIELDING FUNCTION | YES | NA |
| MAX MATING CYCLES | 50 TIMES | \odot |
| OPERATION TEMP. | -40-125°C | NA |
| WIRE RANGE | 2.5-6mm ² | NA |



- *NOTES:
 - HVSL364064XXXX1 shown in this sheet
 - Recommend OD of shielded wire for power contact(屏蔽线缆护套直径):
2.5mm² wire: $\phi 4.20\text{mm}-\phi 4.60\text{mm}$
6mm² wire: $\phi 6.10\text{mm}-\phi 6.50\text{mm}$
12AWG(3.3mm²), 4mm² wire: $\phi 5.20\text{mm}-\phi 5.70\text{mm}$
 - Contact should be ordered separately/端子需要根据使用的电流和线径单独购买
Stamping Power contact: 2.5mm²: C310026007, 12AWG(3.3mm²), 4mm²: C310026005, 6mm²: C310026001, Use level: 4pcs
 - if use less than 4 circuits, user can adopt seal stopper for populqe. P/N is P03BP00068, One hole use one stopper
如果客户使用少于4芯可以用防水塞堵住, 防水塞料号为P03BP00068, 堵一芯用1pc $\triangle E$
- * 5. ROHS COMPLIANCE

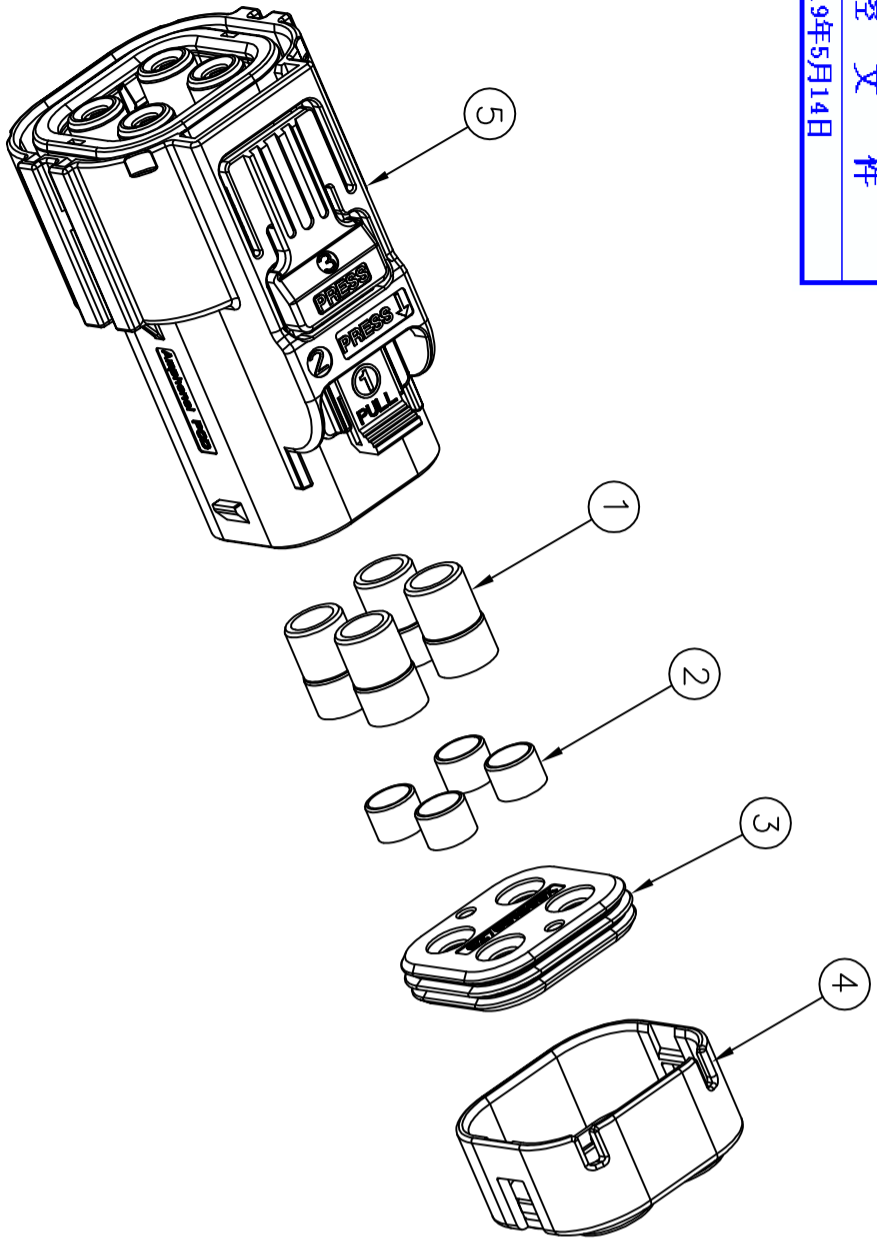
| DIMENSIONS | | TOLERANCES | PROJECTION | TITLE | |
|--------------------------------|--|-------------------------|--------------|----------------------|------------------------------|
| ANSI Y14.5M UNITS: MM CAD FILE | X .XX ANGLES $\pm 2^\circ$ | ± 0.5 ± 0.05 | | SIZE A3 | DWG NO. C-HVSL364064XXXX1 |
| ORIGINAL | THIS DOCUMENT CONTAINS PROPRIETARY INFORMATION WHICH IS THE CONFIDENTIAL PROPERTY OF AMPHENOL PCD SHENZHEN | | ENGR Rock | CHKD Rock | SCALE NONE |
| | | | 2017.05.28 | | SHEET 1 OF 3 |
| | | | | APPD <i>Denck</i> | REV E |
| | | | | | |

HVSL364 4P PLUG

C-HVSL364064XXXX1

C-HVSL364064XXXX1

安费诺精密连接器(深圳)有限公司
Amphenol PCD Shenzhen
受控文件
2019年5月14日



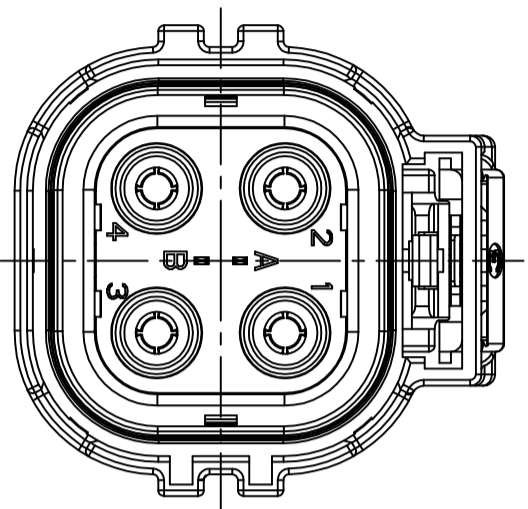
C-HVSL364064XXXXX1

| | | | | |
|-----------------|------|---------------------------------|-----|--|
| HVSL364064XX031 | 5 | HVSL364064XY(X=A,B,C,D,E;Y=0,1) | 1 | 2.50mm ² SHIELD CABLE OD=φ4.20-φ4.60 B |
| | 4 | C42200117081 | 1 | |
| | 3 | C42700116031 | 1 | |
| | 2 | C4200011608 | 4 | |
| | 1 | C4200011601 | 4 | |
| HVSL364064XX041 | 5 | HVSL364064XY(X=A,B,C,D,E;Y=0,1) | 1 | 12AWG(3.3mm ²) 4mm ² SHIELD CABLE OD=φ5.20-φ5.70 E |
| | 4 | C42200117082 | 1 | |
| | 3 | C42700116032 | 1 | |
| | 2 | P03BS00024 | 4 | |
| | 1 | C4200011603 | 4 | |
| HVSL364064XX061 | 5 | HVSL364064XY(X=A,B,C,D,E;Y=0,1) | 1 | 6mm ² SHIELD CABLE OD=φ6.10-φ6.50 B |
| | 4 | C42200117083 | 1 | |
| | 3 | C42700116033 | 1 | |
| | 2 | C4200011202 | 4 | |
| | 1 | C4200011603 | 4 | |
| Assembly P/N | ITEM | COMPONENT P/N | QTY | REMARKS |

| ITEM1 | ITEM2 | ITEM3 | ITEM4 | ITEM5 | | | | | | | | | | | | | | | | | | | | | | | | | | | | | | | | | | | | | | | | | | | | | | | | | | | | | | | | | | | | | | |
|---|--------------|--------------|--------------|---------|-------------|--------|----------------------------|-------------|--------|-------|-------------|--------|-------|-------------|--------|---|-----------|-------------|--------------|---------|-------------|--------|----------------------------|------------|--------|-------|------------|--------|-------|-------------|--------|---|-----------|-------------|--------------|---------|--------------|--------|----------------------------|--------------|--------|-------|--------------|--------|-------|--------------|--------|---|-----------|-------------|--------------|---------|--------------|--------|----------------------------|--------------|--------|-------|--------------|--------|-------|--------------|--------|--|-------------|-------------------------------------|
| | | | | | | | | | | | | | | | | | | | | | | | | | | | | | | | | | | | | | | | | | | | | | | | | | | | | | | | | | | | | | | | | | | |
| <table border="1"> <tr><th>Wire size</th><th>PART NUMBER</th><th>DIM "d1"(mm)</th></tr> <tr><td>2.5mm~2</td><td>C4200011601</td><td>6.30mm</td></tr> <tr><td>12AWG(3.3mm²)</td><td>C4200011603</td><td>8.55mm</td></tr> <tr><td>4mm~2</td><td>C4200011603</td><td>8.55mm</td></tr> <tr><td>6mm~2</td><td>C4200011603</td><td>8.55mm</td></tr> </table> | Wire size | PART NUMBER | DIM "d1"(mm) | 2.5mm~2 | C4200011601 | 6.30mm | 12AWG(3.3mm ²) | C4200011603 | 8.55mm | 4mm~2 | C4200011603 | 8.55mm | 6mm~2 | C4200011603 | 8.55mm | <table border="1"> <tr><th>Wire size</th><th>PART NUMBER</th><th>DIM "d2"(mm)</th></tr> <tr><td>2.5mm~2</td><td>C4200011608</td><td>4.65mm</td></tr> <tr><td>12AWG(3.3mm²)</td><td>P03BP00024</td><td>5.90mm</td></tr> <tr><td>4mm~2</td><td>P03BP00024</td><td>5.90mm</td></tr> <tr><td>6mm~2</td><td>C4200011202</td><td>6.55mm</td></tr> </table> | Wire size | PART NUMBER | DIM "d2"(mm) | 2.5mm~2 | C4200011608 | 4.65mm | 12AWG(3.3mm ²) | P03BP00024 | 5.90mm | 4mm~2 | P03BP00024 | 5.90mm | 6mm~2 | C4200011202 | 6.55mm | <table border="1"> <tr><th>Wire size</th><th>PART NUMBER</th><th>DIM "d3"(mm)</th></tr> <tr><td>2.5mm~2</td><td>C42700116031</td><td>3.20mm</td></tr> <tr><td>12AWG(3.3mm²)</td><td>C42700116032</td><td>4.00mm</td></tr> <tr><td>4mm~2</td><td>C42700116032</td><td>4.00mm</td></tr> <tr><td>6mm~2</td><td>C42700116033</td><td>5.20mm</td></tr> </table> | Wire size | PART NUMBER | DIM "d3"(mm) | 2.5mm~2 | C42700116031 | 3.20mm | 12AWG(3.3mm ²) | C42700116032 | 4.00mm | 4mm~2 | C42700116032 | 4.00mm | 6mm~2 | C42700116033 | 5.20mm | <table border="1"> <tr><th>Wire size</th><th>PART NUMBER</th><th>DIM "d4"(mm)</th></tr> <tr><td>2.5mm~2</td><td>C42200117081</td><td>5.70mm</td></tr> <tr><td>12AWG(3.3mm²)</td><td>C42200117082</td><td>6.30mm</td></tr> <tr><td>4mm~2</td><td>C42200117082</td><td>6.30mm</td></tr> <tr><td>6mm~2</td><td>C42200117083</td><td>7.30mm</td></tr> </table> | Wire size | PART NUMBER | DIM "d4"(mm) | 2.5mm~2 | C42200117081 | 5.70mm | 12AWG(3.3mm ²) | C42200117082 | 6.30mm | 4mm~2 | C42200117082 | 6.30mm | 6mm~2 | C42200117083 | 7.30mm | <table border="1"> <tr><th>PART NUMBER</th></tr> <tr><td>HVSL364064XY (X=A,B,C,D,E;Y=0,1)</td></tr> </table> | PART NUMBER | HVSL364064XY (X=A,B,C,D,E;Y=0,1) |
| Wire size | PART NUMBER | DIM "d1"(mm) | | | | | | | | | | | | | | | | | | | | | | | | | | | | | | | | | | | | | | | | | | | | | | | | | | | | | | | | | | | | | | | | |
| 2.5mm~2 | C4200011601 | 6.30mm | | | | | | | | | | | | | | | | | | | | | | | | | | | | | | | | | | | | | | | | | | | | | | | | | | | | | | | | | | | | | | | | |
| 12AWG(3.3mm ²) | C4200011603 | 8.55mm | | | | | | | | | | | | | | | | | | | | | | | | | | | | | | | | | | | | | | | | | | | | | | | | | | | | | | | | | | | | | | | | |
| 4mm~2 | C4200011603 | 8.55mm | | | | | | | | | | | | | | | | | | | | | | | | | | | | | | | | | | | | | | | | | | | | | | | | | | | | | | | | | | | | | | | | |
| 6mm~2 | C4200011603 | 8.55mm | | | | | | | | | | | | | | | | | | | | | | | | | | | | | | | | | | | | | | | | | | | | | | | | | | | | | | | | | | | | | | | | |
| Wire size | PART NUMBER | DIM "d2"(mm) | | | | | | | | | | | | | | | | | | | | | | | | | | | | | | | | | | | | | | | | | | | | | | | | | | | | | | | | | | | | | | | | |
| 2.5mm~2 | C4200011608 | 4.65mm | | | | | | | | | | | | | | | | | | | | | | | | | | | | | | | | | | | | | | | | | | | | | | | | | | | | | | | | | | | | | | | | |
| 12AWG(3.3mm ²) | P03BP00024 | 5.90mm | | | | | | | | | | | | | | | | | | | | | | | | | | | | | | | | | | | | | | | | | | | | | | | | | | | | | | | | | | | | | | | | |
| 4mm~2 | P03BP00024 | 5.90mm | | | | | | | | | | | | | | | | | | | | | | | | | | | | | | | | | | | | | | | | | | | | | | | | | | | | | | | | | | | | | | | | |
| 6mm~2 | C4200011202 | 6.55mm | | | | | | | | | | | | | | | | | | | | | | | | | | | | | | | | | | | | | | | | | | | | | | | | | | | | | | | | | | | | | | | | |
| Wire size | PART NUMBER | DIM "d3"(mm) | | | | | | | | | | | | | | | | | | | | | | | | | | | | | | | | | | | | | | | | | | | | | | | | | | | | | | | | | | | | | | | | |
| 2.5mm~2 | C42700116031 | 3.20mm | | | | | | | | | | | | | | | | | | | | | | | | | | | | | | | | | | | | | | | | | | | | | | | | | | | | | | | | | | | | | | | | |
| 12AWG(3.3mm ²) | C42700116032 | 4.00mm | | | | | | | | | | | | | | | | | | | | | | | | | | | | | | | | | | | | | | | | | | | | | | | | | | | | | | | | | | | | | | | | |
| 4mm~2 | C42700116032 | 4.00mm | | | | | | | | | | | | | | | | | | | | | | | | | | | | | | | | | | | | | | | | | | | | | | | | | | | | | | | | | | | | | | | | |
| 6mm~2 | C42700116033 | 5.20mm | | | | | | | | | | | | | | | | | | | | | | | | | | | | | | | | | | | | | | | | | | | | | | | | | | | | | | | | | | | | | | | | |
| Wire size | PART NUMBER | DIM "d4"(mm) | | | | | | | | | | | | | | | | | | | | | | | | | | | | | | | | | | | | | | | | | | | | | | | | | | | | | | | | | | | | | | | | |
| 2.5mm~2 | C42200117081 | 5.70mm | | | | | | | | | | | | | | | | | | | | | | | | | | | | | | | | | | | | | | | | | | | | | | | | | | | | | | | | | | | | | | | | |
| 12AWG(3.3mm ²) | C42200117082 | 6.30mm | | | | | | | | | | | | | | | | | | | | | | | | | | | | | | | | | | | | | | | | | | | | | | | | | | | | | | | | | | | | | | | | |
| 4mm~2 | C42200117082 | 6.30mm | | | | | | | | | | | | | | | | | | | | | | | | | | | | | | | | | | | | | | | | | | | | | | | | | | | | | | | | | | | | | | | | |
| 6mm~2 | C42200117083 | 7.30mm | | | | | | | | | | | | | | | | | | | | | | | | | | | | | | | | | | | | | | | | | | | | | | | | | | | | | | | | | | | | | | | | |
| PART NUMBER | | | | | | | | | | | | | | | | | | | | | | | | | | | | | | | | | | | | | | | | | | | | | | | | | | | | | | | | | | | | | | | | | | |
| HVSL364064XY (X=A,B,C,D,E;Y=0,1) | | | | | | | | | | | | | | | | | | | | | | | | | | | | | | | | | | | | | | | | | | | | | | | | | | | | | | | | | | | | | | | | | | |

C-HVSL364064XXXXX1

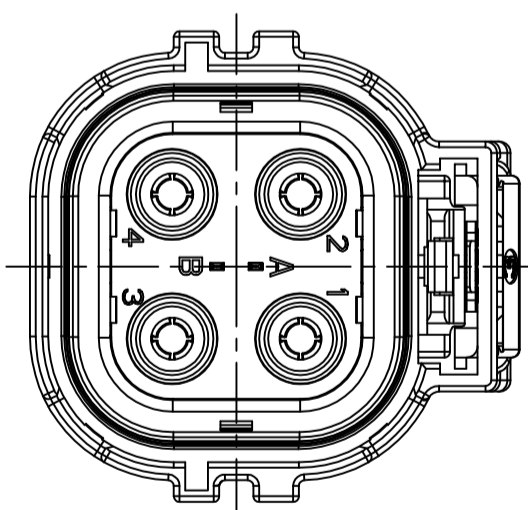
| | | |
|-------|--------------------|--------|
| SIZE | DWG NO. | REV |
| A3 | C-HVSL364064XXXXX1 | E |
| CODE: | SCALE | SHEET |
| | NONE | 2 OF 3 |



KEY A

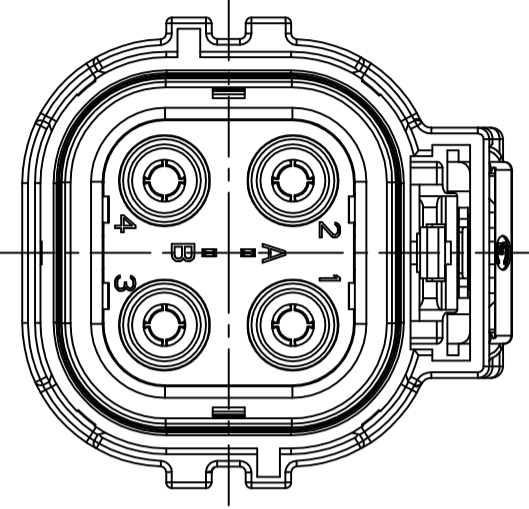
HVSL364064A4XXXXI

| |
|---|
| 安费诺精密连接器(深圳)有限公司 Amphenol PCD Shenzhen |
| 受控文件 |
| 2019年5月14日 |



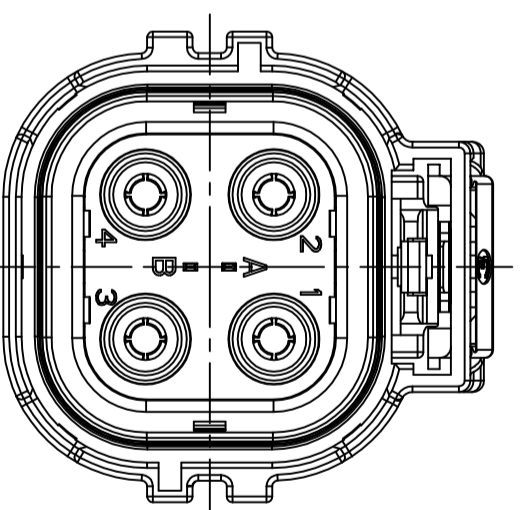
KEY D

HVSL364064D4XXXXI



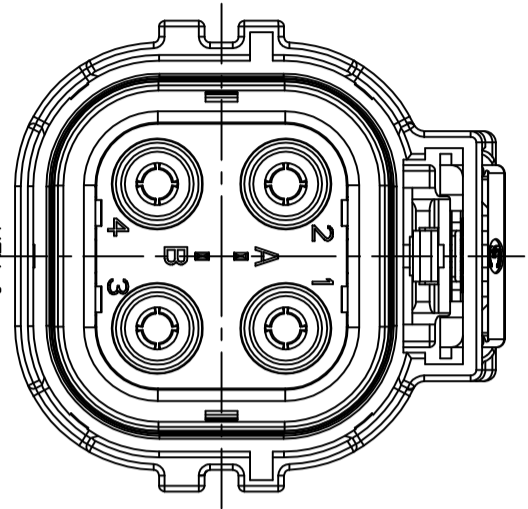
KEY B

HVSL364064B4XXXXI



KEY E

HVSL364064E4XXXXI



KEY C

HVSL364064C4XXXXI

| | | |
|-------|--------------------|--------|
| SIZE | DWG NO. | REV |
| A3 | C-HVSL364064XXXXXI | E |
| CODE: | SCALE | SHEET |
| | NONE | 3 OF 3 |

单击下面可查看定价，库存，交付和生命周期等信息

[>>Amphenol\(安费诺\)](#)