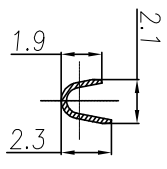


CONTACT ORIENTATION ON ROLL

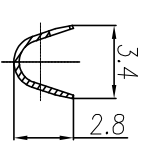
NOTES: (UNLESS OTHERWISE SPECIFIED)

1. MATERIAL:
 - 1.1. CONTACT BODY: COPPER ALLOY.
 - 1.2. OUTER SPRING: STAINLESS STEEL.
2. SPECIFICATIONS:
 - 2.1 CURRENT RATING: 5A MAX.
 - 2.2 TERMINATION TYPE: CRIMPING.
 - 2.3 WIRE RANGE: 22-20AWG.
 - 2.4 WIRE INSULATION DIA(MAX): Ø2.6mm.
3. ROHS COMPLIANT.
4. ALL DIMENSIONS ARE FOR REFERENCE USE ONLY.
5. AVAILABLE TOOLS:
 - 5.1 HAND CRIMPER: MFX-3958 (B2)
 - 5.2 CRIMP APPLICATOR: MFX-3957.
 - 5.3 EXTRACTION TOOL: QXRT20.

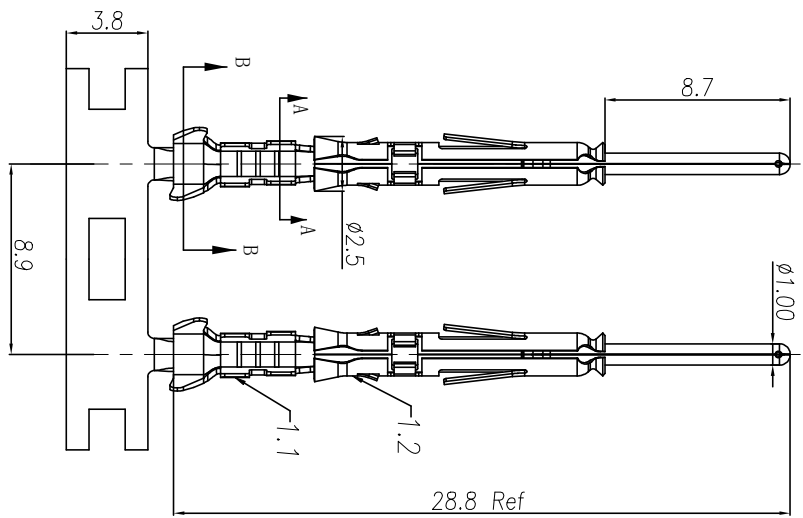
P/N	CONTACT PLATING(MATING AREA)
SP20W1T	TIN PLATING OVER NICKEL.
SP20W1F	GOLD FLASH PLATING OVER NICKEL.
SP20W1G10	10µ" GOLD PLATING OVER NICKEL.
SP20W1G15	15µ" GOLD PLATING OVER NICKEL.
SP20W1G30	30µ" GOLD PLATING OVER NICKEL.



SECTION A-A



SECTION B-B



REVISIONS					
REV	ECO	DESCRIPTION	DATE	BY	APPR
B1	-	RELEASED DRAWING	JAN-18-2014	ARROW	TOMMY
B2	-	CHANGE HAND CRIMPER	Nov-8-19	Flan	Tommy

QUANTITY	PART NUMBER	DESCRIPTION	ITEM

MATERIALS LIST

UNLESS OTHERWISE SPECIFIED			
1) All dimensions are in millimeters.	DRAWN:	RAI	Nov-8-19
2) Tolerances are as follows:	CHECKED:	MWH	Nov-8-19
1 Pt. DEC 20-08	ENGINEER:		
3 Pt. DEC 20-08	APPROVE:	Tommy	Nov-8-19
3) Note reference =	CUSTOMER:		

PROCESS SPECIFICATIONS	TITLE	ECO-MATE PIN CONTACT
NEXT ASBY	STAMPED:	20-22AWG, SIZE 20
	SIZE	B C-
	TYPE	SP20W1XX
	SCALE	NONE
	SHEET	1 OF 1
	REVISION	B2

Amphenol
 Sine Systems - www.amphenol-sine.com
 44724 Montley Drive
 Clinton Township, MI 48038

单击下面可查看定价，库存，交付和生命周期等信息

[>>Amphenol\(安费诺\)](#)