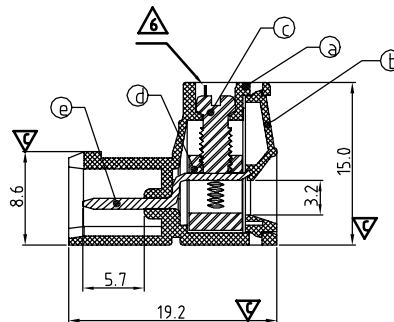
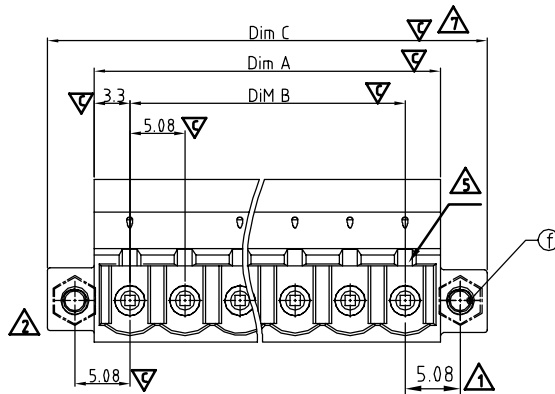


DIMENSION

Dim A	$(N-1) \times 5.08 + 6.58$
Dim B	$(N-1) \times 5.08$
Dim C	$(N+1) \times 5.08 + 5.04$

N = Number of poles

Poles	Tolerance
2p-6p	± 0.15
7p-12p	± 0.20
13p-18p	± 0.30
19p-24p	± 0.40



V8 xx 51 x 1 xxxx G

No. OF POLES
 02 2 CONTACTS
 03 3 CONTACTS

 24 24 CONTACTS

Color
 0 Black (RAL9005)
 2 Red (RAL3001/D)
 3 Orange (RAL2011/P)
 4 Yellow (RAL1018/A)
 5 Green (RAL6018/T)
 6 Blue (RAL5015/A)
 8 Grey (RAL7035/D)

G RoHS compliant (lead-4%)
In copper Alloy
 0000: "@" Logo (Standard)
 000A: "ANYTEK" Mark
 Any special item by customer request, please contact sales department.

SIGN	DATE	DESCRIPTION	APPROVER
⚠	08.10.17	The dimension is changed from 5.2mm to 5.08mm	Seamus
⚠	2009.10.30	The design is changed from the round hole to hexagonal hole.	Seamus
⚠	2009.10.30	The Torque is changed	Jacke
⚠	2010.01.15	Add cULus standard	Jacke
⚠	2010.08.24	The design is changed	Jacke
⚠	2010.08.24	The design is changed	Jacke
⚠	2010.09.27	Add the dimension	Jacke
⚠	07/10`12	Change the material of contact from Brass to Copper	Chen Bo

THIS IS CAD DRAWING, DO NOT REVISE MANUALLY!!!

Material

- Item Ⓐ Terminal(housing):Thermoplastic (UL94V-0)
- Item Ⓑ Terminal (Cover):Thermoplastic (UL94V-0)
- Item Ⓒ Terminal screw:Steel Zinc plating "-" slot type
- Item Ⓓ Clamp:Brass(CuZn), Ni plating
- Item Ⓔ Male Contact Pin: Copper, Tin plated
- Item Ⓕ Flange nut: Brass M2.5

Electrical

- Voltage rating: 300VAC
- Current rating: 20A
- Wire range:
- Solid wire(AWG): 12-24
- Stranded wire(AWG): 12-24
- Torque: 4Lb-In
- Screw: M3
- Wire strip length: 7-8mm
- Withstanding Voltage: 1.6KV
- Operating temperature: -40°C to +115°C
- Safety Approval: cULus
- Critical dimension: ∇

ANYTEK				CUSTOMER COPY			
TITLE		V8 5.08 Series With flange Nut type					
PART NO.		V8xx51x1xxxxG			DWG NO.		8V80302
APPROVED		CHECKED	DESIGNED	DRAWN	CUST NO.		Tolerance
			Chen Bo 07/10`12	Chen Bo 07/10`12			X. ±0.50 X.X ±0.30 X.XX ±0.10 X° ±1°
					SHEET: 01/01		REV.: H

单击下面可查看定价，库存，交付和生命周期等信息

[>>Amphenol\(安费诺\)](#)