

This document is the property of Amphenol Corporation and is delivered on the express condition that it is not to be disclosed, reproduced or used, in whole or in part, for manufacture or sale by anyone other than Amphenol Corporation without its prior consent, & that no right is granted to disclose or to use any information in this document.

CUSTOMER DRAWING

SYM	ECN	DESCRIPTION	DATE	APPROVED
1	N/A	THE FIRST RELEASE	05/20/17	IP
2	N/A	UPDATED THE POSITION OF THE POST	05/20/17	IP
3	N/A	UPDATED ESD NONE-ESD OPTION DESCRIPTION	09/06/19	IP
4	N/A	REMOVED R5 TYPE	03/06/20	IP
5	N/A	MODIFIED CODE&PN&COLOR OPTION	08/20/20	IP

NOTES/ 注释:

- MATERIAL/ 材料:
 - HOUSING/ 材料: PA-9T,GF45%,UL94V-0.
 胶壳: PA-9T,玻纤含量45%UL94V-0 防火等级.
 - CONTACTS/ 端子: C2680/ 黄铜.
 PLATING: PLATING 1-2.50um MATTE TIN OVERALL.
 电镀规格: 镀全雾锡, 厚度为: 1-2.50 微米.
 0.76~2.00um MIN NICKEL UNDER PLATED OVERALL.
 整体底层镀材为镍层, 厚度为:0.76-2.00 微米.
 - INNER SHIELD: C5210,1~2.50um MATTE TIN PLATED OVERALL,0.76~2.00um NI UNDERPLATED.
 内部屏蔽壳: C5210, 镀全雾锡: 1~2.50um, 镍底: 0.76~2.00um.
 - OUTER SHELL:C2680R, PLATING SOLDER NI:0.76~2.00um OVERALL,
 外部屏蔽壳: C2680R, 镀全可焊镍: 0.76~2.00微米.
 - SOLDER TAB/ 定位焊片: C2680/ 黄铜.
 PLATING:1-2.5um MATTE TIN OVERALL. 0.76~2.00um NICKEL UNDER PLATED
- GENERAL SPECIFICATION/ 通用特性:
 - CURRENT CONTACT CARRYING CAPACITY MAXIMAL: 3A.
 最大可承载电流: 3A
 - CONTACT RESISTANCE: 15mΩ MAX.WITH CONDUCTOR CROSS SECTION AREA:0.13MM²
 接触电阻: 15毫欧最大.导线截面面积0.13平方毫米.
 - INSULATOR RESISTANCE: 100MΩ MIN.AT Vdc=500V.T=60S
 绝缘电阻: 100兆欧最小,施加500V直流电流1分钟
 - DIELECTRIC WITHSTANDING VOLTAGE: 500 VAC
 耐电压: 500 伏交流
 - OPERATION TEMPERATURE: -40°C~+105°C
 操作温度: 零下40摄氏度至105摄氏度
- DIMENSIONING SHALL BE INTERPRETED PER ASME Y14.5M 1994.
 尺寸标注基于ASME Y14.5M 1994 标准规范
- COMPLIANCE WITH IEEE 100BASE-T1 AND 1000BASE-T1.
 符合IEEE 100BASE-T1 AND 1000BASE-T1标准.

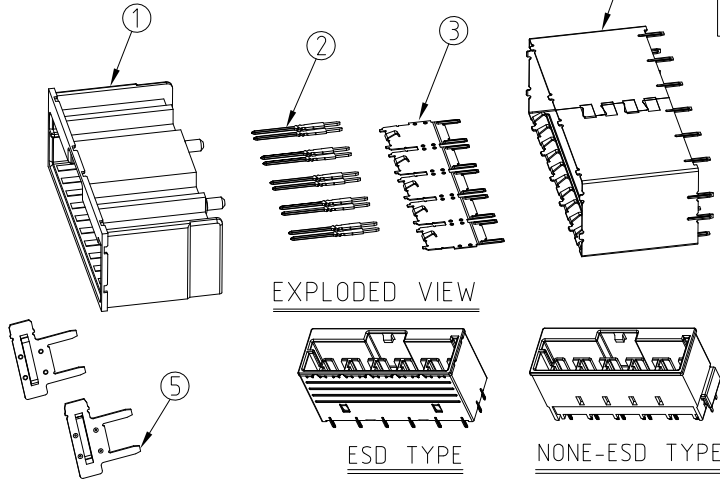


TABLE 1:(ESD TYPE)

ITEM	PART NAME	MATERIAL
①	HOUSING	PA-9T
②	CONTACT	C2680
③	INNER SHIELD	C5210
④	OUTER SHELL	C2680

TABLE 2:(NONE-ESD TYPE)

ITEM	PART NAME	MATERIAL
①	HOUSING	PA-9T
②	CONTACT	C2680
③	INNER SHIELD	C5210
⑤	SOLDER TAB	C2680

5. ORDER P/N SYSTEM

产品料号编码系统 :NTBM1XVXU011X0X

NO OF ROWS

- 1:SINGLE ROW
- 2:DOUBBLE ROW

NO OF PORT PER ROW

- 1: SINGLE PORT
- 2: 2 PORTS
- 3: 3 PORTS

SHIELDING OPTION

PACKING STYLE

- T-TRAY
- R-TAPE AND REEL

Code Option:

- 1=HOUSING CODE A+CONTACT CARRIER CODE A
- 2=HOUSING CODE B+CONTACT CARRIER CODE A
- 3=HOUSING CODE C+CONTACT CARRIER CODE A
-
- 6=HOUSING CODE F+CARRIER CODE A

VERSION	ESD OPTION ESD 选项	INNER SHIELD (内部屏蔽壳)	OUTER SHELL (外部屏蔽壳)	BOTTOM SHIELD (底部屏蔽壳)	SOLDER TAB (定位焊片)
V0	NONE-ESD	WITHOUT	WITHOUT	WITHOUT	WITH
V1		WITH	WITHOUT	WITHOUT	WITH
V4	ESD	WITH	WITH	WITH	WITHOUT

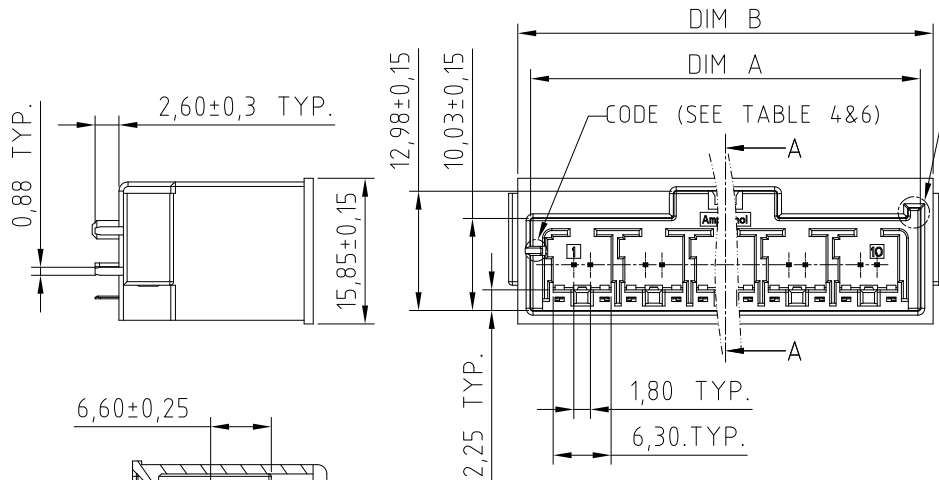
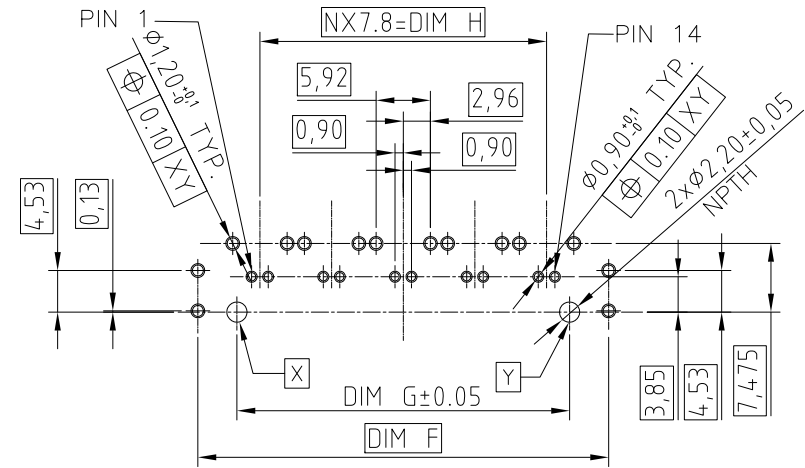
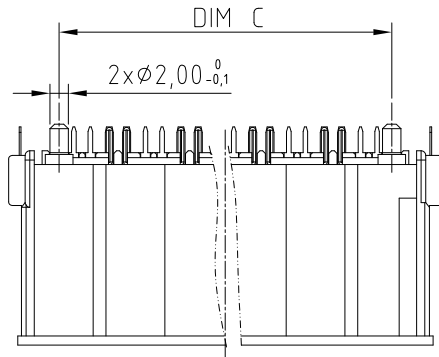


UNLESS OTHERWISE SPECIFIED TOLERANCES		APPROVAL	DATE
U.S.	METRIC	Young	09/05/19
.X	+/- 0.35	DAM	09/05/19
.XX	+/- 0.25		
.XXX	+/- 0.10		
FRACTIONS	+/- 3°		
ANGLES +/-			
FOR MATERIALS AND FINISHES SEE NOTES		DRAWING FILE :	
REMOVE SHARP EDGES		ANGLE OF PROJECTION	
DIMENSIONS			
U.S.	INCHES		
(METRIC)	(MM)		

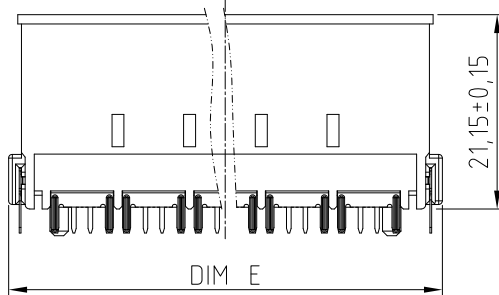
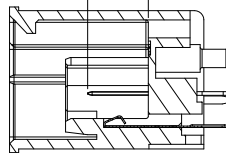
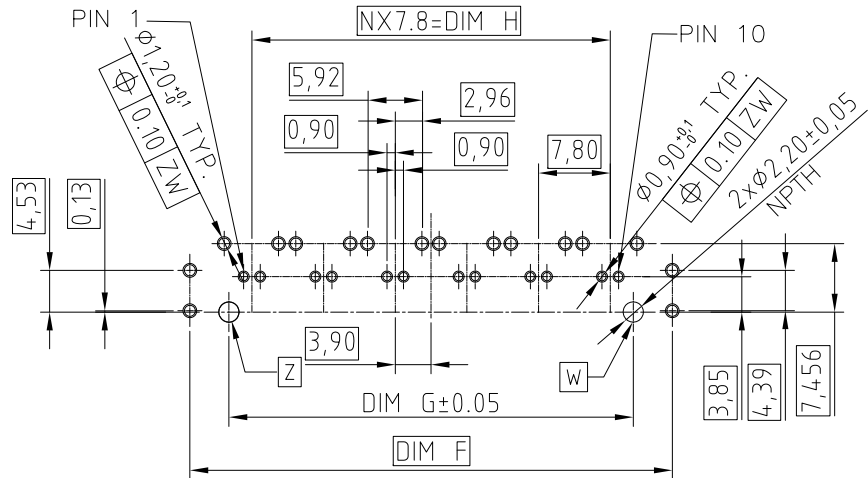
Amphenol		Amphenol East Asia Limited	
TITLE ETHERNET CONNECTOR, 1X1-1X7 PORTS, INDIRECT, VERTICAL,ESD/NONE-ESD,SOLDER DIP			
SIZE	DRAWING NO.	REV.	
A3	NTBM1XVXU01110X	5	
SCALE	NONE	SHEET 1 OF 5	

This document is the property of Amphenol Corporation and is delivered on the express condition that it is not to be disclosed, reproduced or used, in whole or in part, for manufacture or sale by anyone other than Amphenol Corporation without its prior consent, & that no right is granted to disclose or to use any information in this document.

CUSTOMER DRAWING



TYPE OF CODE (SEE TABLE 4&6)



UNLESS OTHERWISE SPECIFIED TOLERANCES	
.X	±0.35
.XX	±0.25
.XXX	±0.10
FRACTIONS	±0.10
ANGLES	±3°

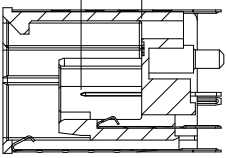
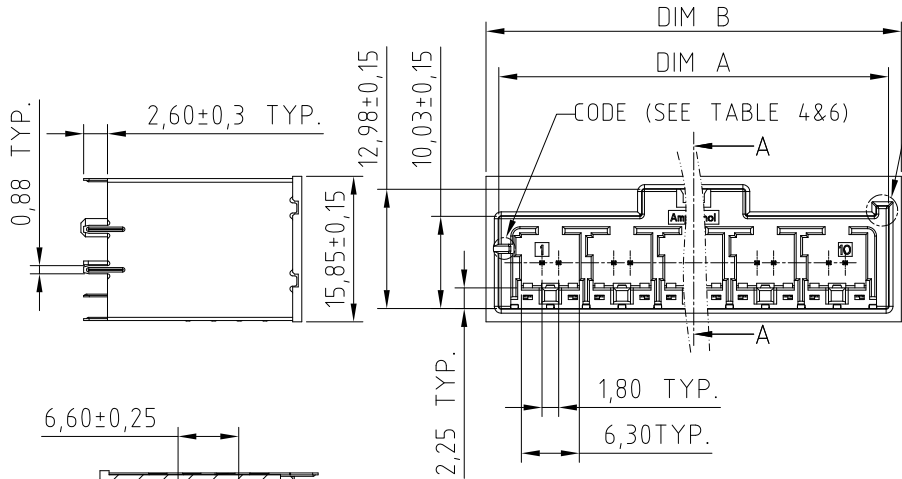
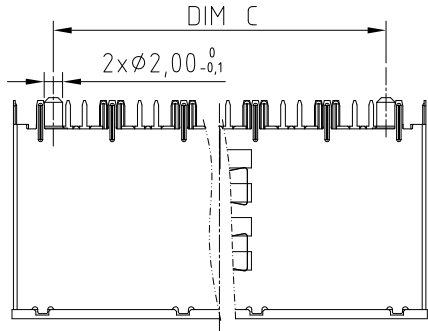
APPROVAL		DATE
DRAWN	Young	09/05'19
CHECKED	DAM	09/05'19
DRAWING FILE :		
ANGLE OF PROJECTION		

Amphenol		Amphenol East Asia Limited
TITLE ETHERNET CONNECTOR, 1X1-1X7 PORTS, INDIRECT, VERTICAL,ESD/NONE-ESD,SOLDER DIP		
SIZE	DRAWING NO.	REV.
A3	NTBM1XVXU01110X	5
SCALE	NONE	SHEET 2 OF 5

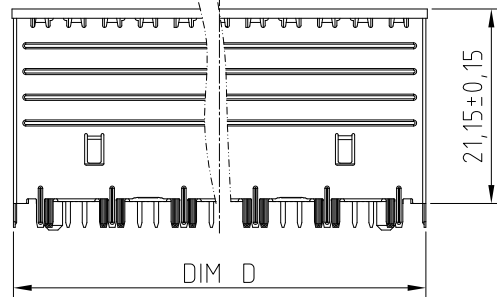
NONE-ESD TYPE DIMENSION SHEET

This document is the property of Amphenol Corporation and is delivered on the express condition that it is not to be disclosed, reproduced or used, in whole or in part, for manufacture or sale by anyone other than Amphenol Corporation without its prior consent. & that no right is granted to disclose or to use any information in this document.

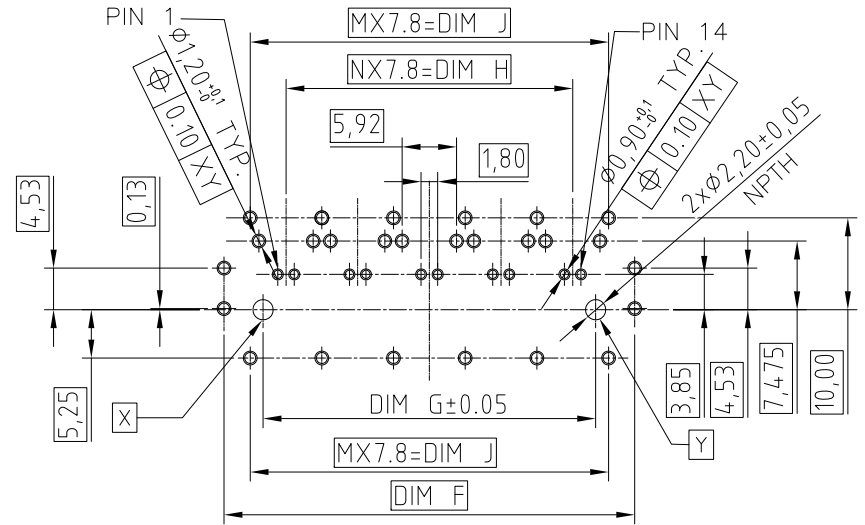
CUSTOMER DRAWING



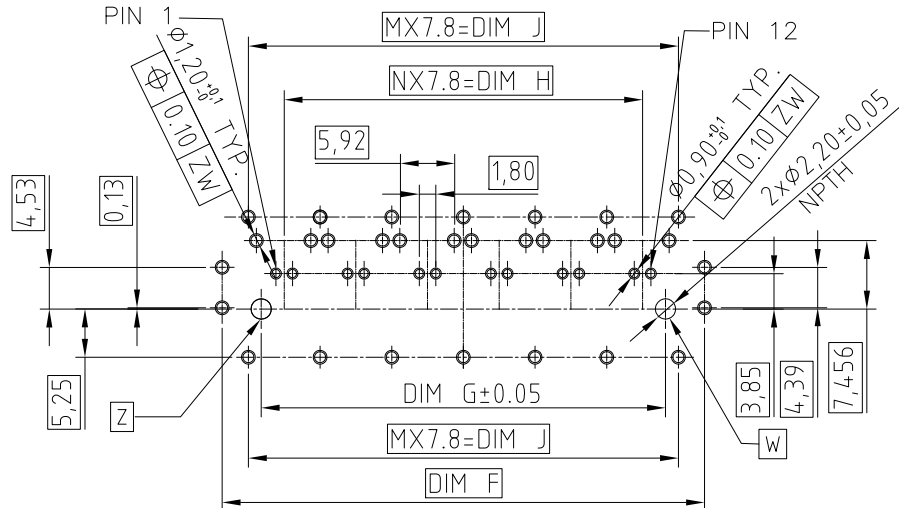
SECTION A-A



ESD TYPE DIMENSION SHEET



RECOMMENDED PCB LAYOUT FOR ODD PORTS
TOLERANCE:±0.05(NONE ESD TYPE)



RECOMMENDED PCB LAYOUT FOR EVEN PORTS
TOLERANCE:±0.05(NONE ESD TYPE)



UNLESS OTHERWISE SPECIFIED TOLERANCES		APPROVAL		DATE	Amphenol Amphenol East Asia Limited
U.S. METRIC		DRAWN	Young	09/05'19	
.X	+/- 0.35	CHECKED	DAM	09/05'19	
.XX	+/- 0.25	CHECKED			
.XXX	+/- 0.10	DRAWING FILE :			TITLE
FRACTIONS +/-	3°	ANGLE OF PROJECTION			ETHERNET CONNECTOR, 1X1-1X7 PORTS, INDIRECT, VERTICAL,ESD/NONE-ESD,SOLDER DIP
ANGLES +/-		DIMENSIONS			SIZE DRAWING NO.
FOR MATERIALS AND FINISHES SEE NOTES		U.S. INCHES			A3 NTBM1XVXU01110X
REMOVE SHARP EDGES		(METRIC) (MM)			REV. 5
		SCALE NONE			SHEET 3 OF 5

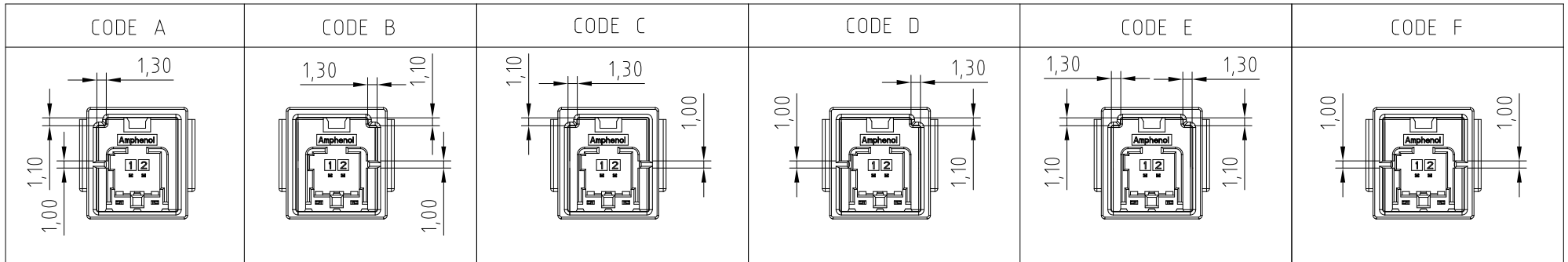
This document is the property of Amphenol Corporation and is delivered on the express condition that it is not to be disclosed, reproduced or used, in whole or in part, for manufacture or sale by anyone other than Amphenol Corporation without its prior consent & that no right is granted to disclose or to use any information in this document.

CUSTOMER DRAWING

TABLE 3(DIMENSION FOR DIM"X"):

PORT.	PART NO.	ESD/NONE-ESD	DIM.A	DIM.B	DIM.C	DIM.D	DIM.E	DIM.F	DIM.G	DIM.H	DIM.J	M	N
1X7	NTBM17V4U011X0X	ESD	58.00	60.80	51.80	60.50	/	60.30	51.80	46.80	54.60	14	6
	NTBM17(V0/V1)U011X0X	NONE-ESD	58.00	60.80	51.80	/	62.80	60.30	51.80	46.80	/	14	6
1X6	NTBM16V4U011X0X	ESD	50.20	53.00	44.00	52.70	/	52.50	44.00	39.00	46.80	12	5
	NTBM16(V0/V1)U011X0X	NONE-ESD	50.20	53.00	44.00	/	56.00	52.50	44.00	39.00	/	12	5
1X5	NTBM15V4U011X0X	ESD	42.40	45.20	36.20	44.90	/	44.70	36.20	31.20	39.00	10	4
	NTBM15(V0/V1)U011X0X	NONE-ESD	42.40	45.20	36.20	/	47.20	44.70	36.20	31.20	/	10	4
1X4	NTBM14V4U011X0X	ESD	34.60	37.40	28.40	37.10	/	36.90	28.40	23.40	31.20	8	3
	NTBM14(V0/V1)U011X0X	NONE-ESD	34.60	37.40	28.40	/	39.40	36.90	28.40	23.40	/	8	3
1X3	NTBM13V4U011X0X	ESD	26.80	29.60	20.60	29.30	/	29.10	20.60	15.60	23.40	6	2
	NTBM13(V0/V1)U011X0X	NONE-ESD	26.80	29.60	20.60	/	31.60	29.10	20.60	15.60	/	6	2
1X2	NTBM12V4U011X0X	ESD	19.00	21.80	12.80	21.50	/	21.30	12.80	7.80	15.60	4	1
	NTBM12(V0/V1)U011X0X	NONE-ESD	19.00	21.80	12.80	/	23.80	21.30	12.80	7.80	/	4	1
1X1	NTBM11V4U011X0X	ESD	11.20	14.00	5.00	13.70	/	13.50	5.00	0	7.80	2	0
	NTBM11(V0/V1)U011X0X	NONE-ESD	11.20	14.00	5.00	/	16.00	13.50	5.00	0	/	2	0

TABLE 4: TYPE OF CODE(FOR 1X1 HOUSING ONLY):



UNLESS OTHERWISE SPECIFIED TOLERANCES		APPROVAL		DATE	
	U.S.	METRIC	DRAWN	Young	09/05'19
.X	+/-	0.35	CHECKED	DAM	09/05'19
.XX	+/-	0.25	CHECKED		
.XXX	+/-	0.10			
FRACTIONS	+/-				
ANGLES	+/-	3°			
FOR MATERIALS AND FINISHES SEE NOTES		DRAWING FILE :			
REMOVE SHARP EDGES		ANGLE OF PROJECTION			
DIMENSIONS					
U.S.	INCHES				
(METRIC)	(MM)				

Amphenol	
Amphenol East Asia Limited	
TITLE ETHERNET CONNECTOR, 1X1-1X7 PORTS, INDIRECT, VERTICAL,ESD/NONE-ESD,SOLDER DIP	
SIZE	DRAWING NO.
A3	NTBM1XVXU01110X
SCALE	NONE
SHEET	4 OF 5
REV.	5

This document is the property of Amphenol Corporation and is delivered on the express condition that it is not to be disclosed, reproduced or used, in whole or in part, for manufacture or sale by anyone other than Amphenol Corporation without its prior consent. & that no right is granted to disclose or to use any information in this document.

CUSTOMER DRAWING

TABLE 5: (TYPE OF CODE OF HOUSING 1X2-1X7):

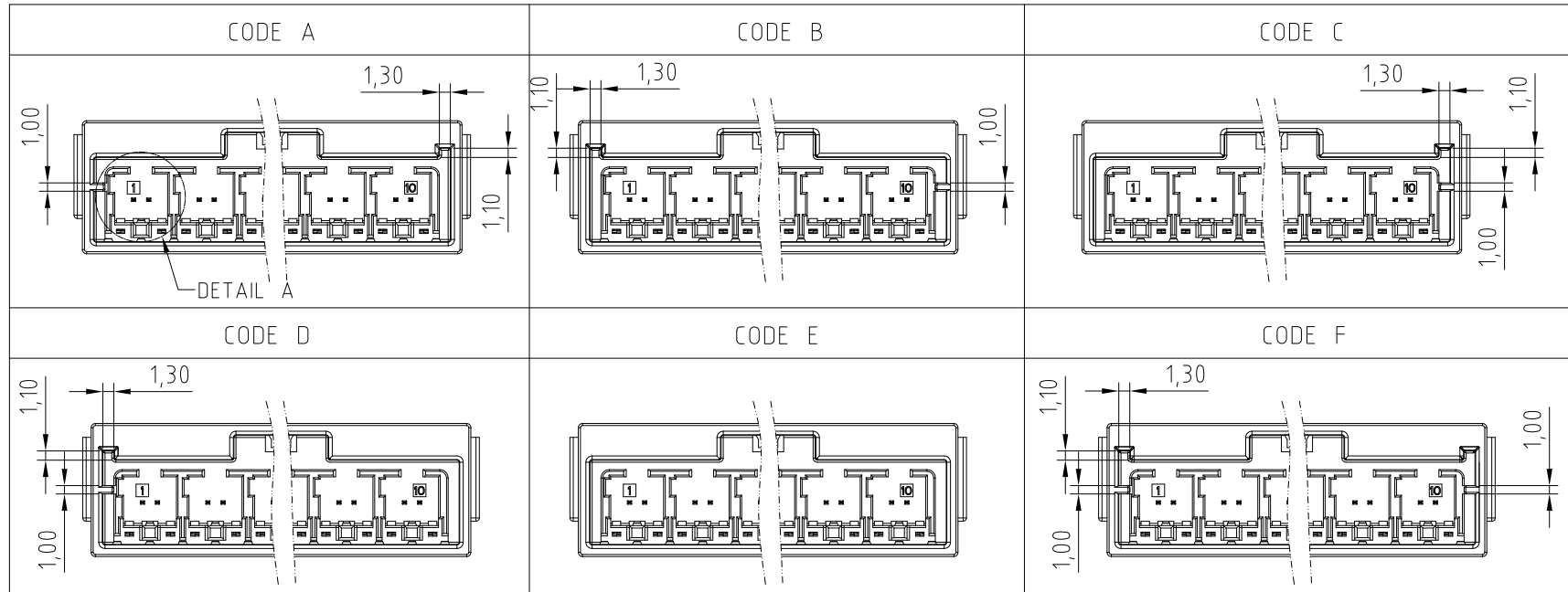


TABLE 6: (DETAIL A: TYPE OF CODE FOR CONTACT CARRIER CAVITY):

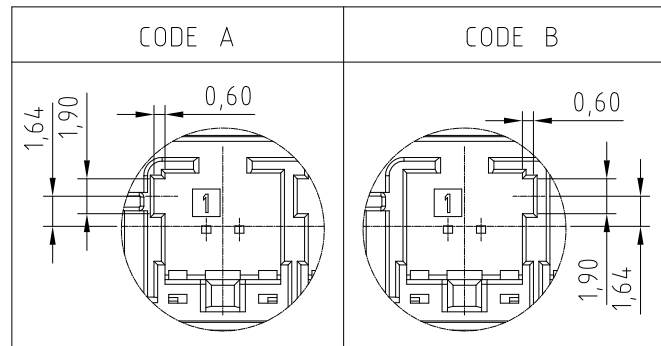


TABLE 7: (COLOR DEFINITION OF CODE FOR HOUSING):

Coding	Color	Ral
A	Black	9005
B	Blue	5005
C	White	9001
D	Claret	4004
E	Green	6002
F	Brown	8011

UNLESS OTHERWISE SPECIFIED
TOLERANCES

	U.S.	METRIC
.X	+/-	0.35
.XX	+/-	0.25
.XXX	+/-	0.10
FRACTIONS	+/-	
ANGLES	+/-	3°

FOR MATERIALS AND FINISHES
SEE NOTES

REMOVE SHARP EDGES

DIMENSIONS

U.S.	INCHES
(METRIC)	(MM)

APPROVAL DATE

DRAWN	Young	09/05'19
CHECKED	DAM	09/05'19
CHECKED		

DRAWING FILE :

ANGLE OF PROJECTION

Amphenol

Amphenol East Asia Limited

TITLE
ETHERNET CONNECTOR, 1X1-1X7 PORTS, INDIRECT,
VERTICAL,ESD/NONE-ESD,SOLDER DIP

SIZE	DRAWING NO.	REV.
A3	NTBM1XVXU01110X	5

SCALE NONE SHEET 5 OF 5

单击下面可查看定价，库存，交付和生命周期等信息

[>>Amphenol\(安费诺\)](#)