

Halogen free

NOTE:

- MATERIAL
 - HOUSING/ACTUATOR:THERMOPLASTIC RESIN,UL94V-0,BLACK
 - TERMINAL:COPPER ALLOY,T=0.15
 - LOCK TERMINAL:COPPER ALLOY,T=0.12
 - GROUND TERMINAL:COPPER ALLOY,T=0.12
- FINISH
 - TERMINAL:Au FLASH ON ALL OVER Ni UNDER PLATING.
 - LOCK TERMINAL:MATTE TIN IN ALL OVER Ni UNDER PLATING.
 - GROUND TERMINAL:MATTE TIN ON ALL OVER Ni UNDER PLATING.
- CO-PLANARITY:0.10 MAX.
- THICKNESS OF A METAL MASK:0.1MM
- FFC/FPC WITH SHIELDED
 - DIFFERENTIAL IMPEDANCE:100±10Ω @0.33t

- OTHER

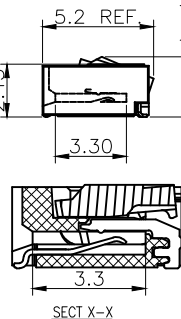
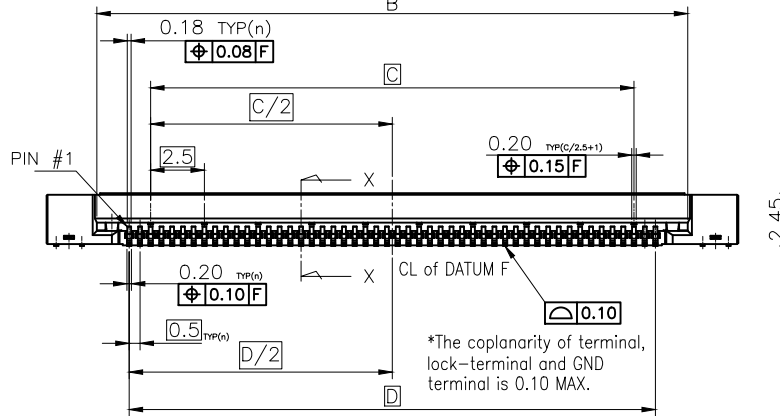
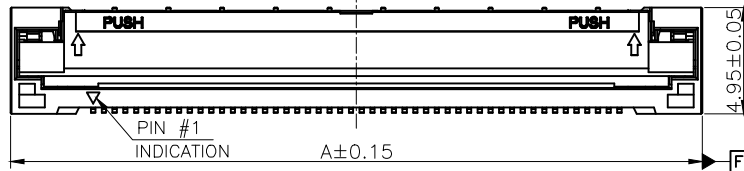
THIS PRODUCT MEETS EUROPEAN UNION DIRECTIVES AND OTHER COUNTRY REGULATIONS AS DESCRIBED IN GS-47-0004
- PART NO.:

F308-1B7*1-210**-E200 (The high-speed version,With convex hull)

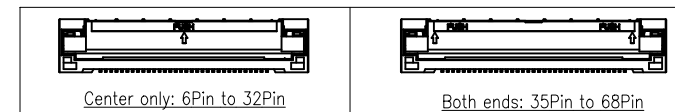
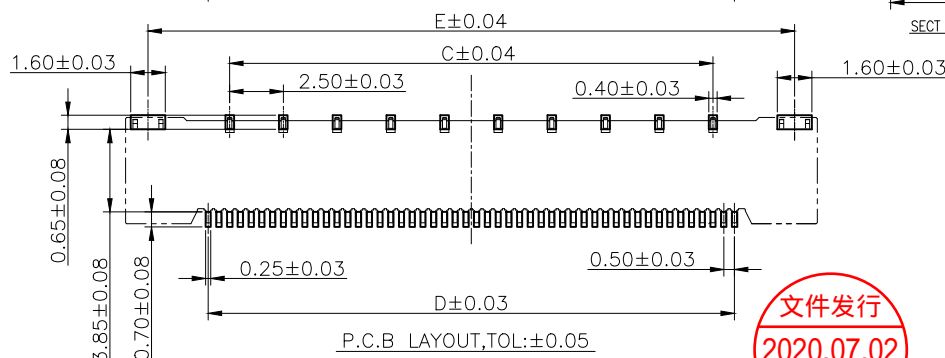
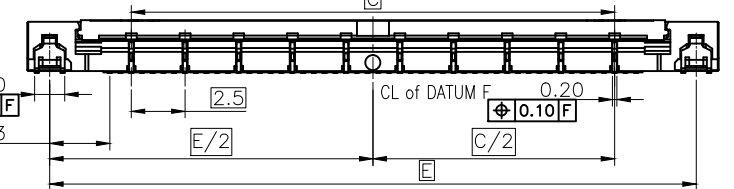
REV.	ECR/ECN No.	DESCRIPTION	DRAWN/DATE	CHECKED/DATE	APPROVED/DATE
A	/	New release	May 2019-06-10	Rain 2019-06-10	Leo 2019-06-10
B	/	Add plating Part No.	Shuhong Chen 2020-03-03	Rain 2020-03-03	Leo 2020-03-03
C	/	Update the format	Shuhong Chen 2020-06-22	Rain 2020-06-22	Leo 2020-06-22

DIMENSION LIST:

NO. OF POSITIONS	A	B	C	D	E	F	G
06	10.2	5.5	2.5	2.5	8.1	5.44	3.3
08	11.2	6.5	2.5	3.5	9.1	6.44	4.3
09	11.7	7.0	2.5	4.0	9.6	6.94	4.8
10	12.2	7.5	2.5	4.5	10.1	7.44	5.3
14	14.2	9.5	2.5	6.5	12.1	9.44	7.3
16	15.2	10.5	2.5	7.5	13.1	10.44	8.3
20	17.2	12.5	2.5	9.5	15.1	12.44	10.3
22	18.2	13.5	2.5	10.5	16.1	13.44	11.3
24	19.2	14.5	2.5	11.5	17.1	14.44	12.3
26	20.2	15.5	2.5	12.5	18.1	15.44	13.3
30	22.2	17.5	2.5	14.5	20.1	17.44	15.3
32	23.2	18.5	2.5	15.5	21.1	18.44	16.3
35	24.7	20.0	2.5	17.0	22.6	19.94	17.8
40	27.2	22.5	2.5	19.5	25.1	22.44	20.3
41	27.7	23.0	2.5	20.0	25.1	22.94	20.8
50	32.2	27.5	2.5	24.5	30.1	27.44	25.3
60	37.2	32.5	2.5	29.5	35.1	32.44	30.3
65	39.7	35.0	2.5	32.0	37.6	34.94	32.8
68	41.2	36.5	2.5	33.5	39.1	36.44	34.3



Lock release condition
2.8 REF.



This document is the property of and embodies CONFIDENTIAL and PROPRIETARY information of AORORA. No part of the information shown on this document may be used in any way or disclosed to others without the written consent of AORORA. © 2019 AORORA

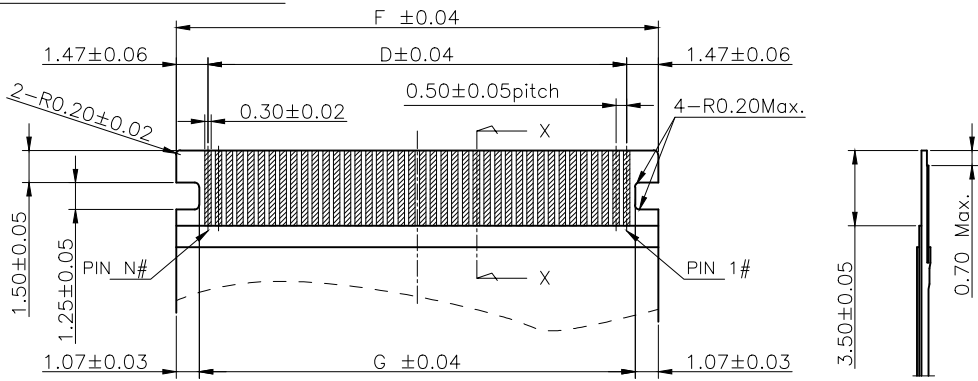
文件发行
2020.07.02
Aorora

UNLESS OTHERWISE SPECIFIED TOLERANCES		ANGLE OF PROJECTION		Amphenol AORORA	
X.	±0.30	X. °	± 5'	Amphenol AORORA Technology (Huizhou) Co.,Ltd	
X.X	±0.25	X.X °	± 4'		
X.XX	±0.20	X.XX °	± 3'	TITLE: Assembly Drawing For 0.50mm pitch Auto lock conn.	
X.XXX	±0.15	X.XXX °	± 2'	PART NUMBER: F308-1B7*1-210**-E200	
LINEAR DIMS		ANGLES DIMS		SCALE: 3:1	UNIT: mm
DWG NO.: A-S0551	SEE NOTES	APPROVED DATE: Leo 2020-06-22	CHECKED DATE: Rain 2020-06-22	SHEET 1 OF 3	REV. C
MATERIAL	SEE NOTES	DESIGN DATE: Shuhong Chen 2020-06-22	DRAWN DATE: Shuhong Chen 2020-06-22		
FINISHED	SEE NOTES				

This document is the property of and embodies CONFIDENTIAL and PROPRIETARY information of AOR. No part of the information shown on this document may be used in any way or disclosed to others without the written consent of AOR. © 2019 AOR

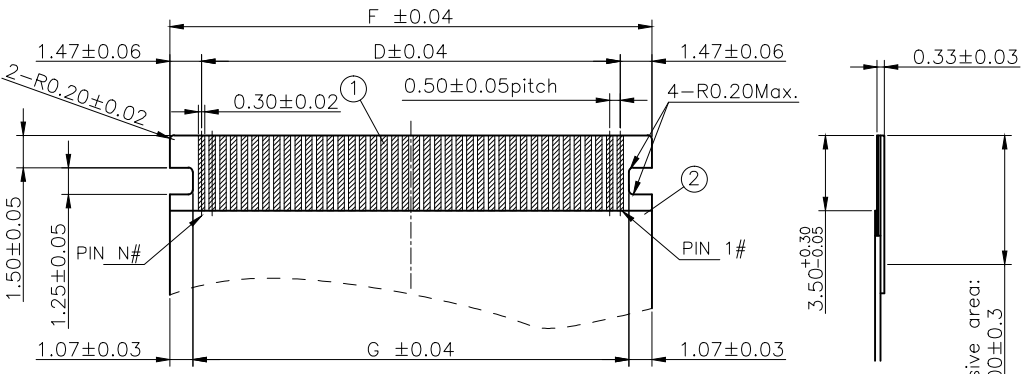


FFC PATTERN DIMENSION



NO	COMPONENT NAME	MATERIAL	FINISH
1	CONDUCTOR	COPPER ALLOY	0.05um Min. Au plating, over 0.5Ni um plating
2	INSULATION FILM	OPTIONAL	
3	STIFFENER BOARD	OPTIONAL	Prohibition of multilayer construction of thin material
4	GROUND PLATE	MATAL FILM	Sn plating
5	Intermediate layer	OPTIONAL	
6	GROUND PLATE	MATAL FILM	

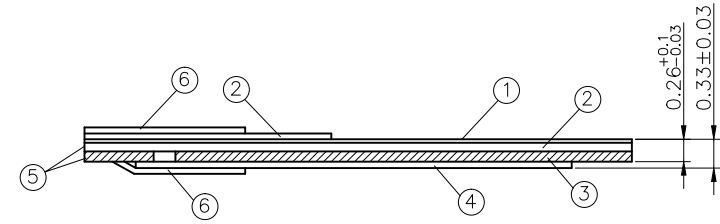
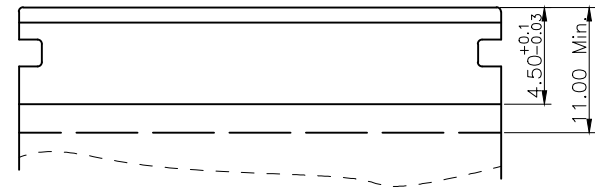
RECOMMENDED FFC TYPE-1 DIMENSION (WITH SHIELDED)



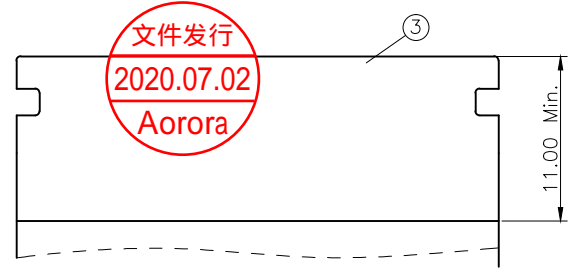
RECOMMENDED FFC TYPE-2 DIMENSION

NO	COMPONENT NAME	MATERIAL	FINISH
1	CONDUCTOR	COPPER ALLOY	0.05um Min. Au plating, over 0.5Ni um
2	INSULATION FILM	OPTIONAL	
3	STIFFENER BOARD	OPTIONAL	Prohibition of multilayer construction of thin material

REV.	ECR/ECN No.	DESCRIPTION	DRAWN/DATE	CHECKED/DATE	APPROVED/DATE
A	/	New release	May 2019-06-10	Rain 2019-06-10	Leo 2019-06-10
B	/	Add plating Part No.	Shuhong Chen 2020-03-03	Rain 2020-03-03	Leo 2020-03-03
C	/	Update the format	Shuhong Chen 2020-06-22	Rain 2020-06-22	Leo 2020-06-22



REFERENCE FFC SECT. X-X



UNLESS OTHERWISE SPECIFIED TOLERANCES			ANGLE OF PROJECTION		Amphenol AORORA	
X.	±0.30	X. ° ± 5'			Amphenol Aorora Technology (Huizhou) Co.,Ltd	
X.X	±0.25	X.X ° ± 4'				
X.XX	±0.20	X.XX ° ± 3'	Customer Drw		TITLE:	
X.XXX	±0.15	X.XXX ° ± 2'	DRAWN DATE	Shuhong Chen 2020-06-22	Assembly Drawing For 0.50mm pitch Auto lock conn.	
LINEAR DIMS		ANGLES DIMS	DESIGN DATE	Shuhong Chen 2020-06-22	SIZE	PART NUMBER:
DWG NO.:	A-S0551		CHECKED DATE	Rain 2020-06-22	A4	F308-1B7*1-210**-E200
MATERIAL	SEE NOTES		APPROVED DATE	Leo 2020-06-22	SCALE	3:1
FINISHED	SEE NOTES				UNIT : mm	SHEET 2 OF 3
						REV. C

REV.	ECR/ECN No.	DESCRIPTION	DRAWN/DATE	CHECKED/DATE	APPROVED/DATE
A	/	New release	May 2019-06-10	Rain 2019-06-10	Leo 2019-06-10
B	/	Add plating Part No.	Shuhong Chen 2020-03-03	Rain 2020-03-03	Leo 2020-03-03
C	/	Update the format	Shuhong Chen 2020-06-22	Rain 2020-06-22	Leo 2020-06-22

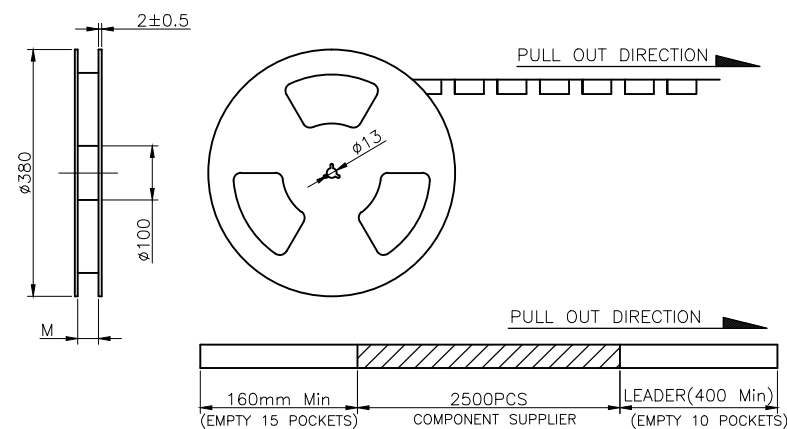
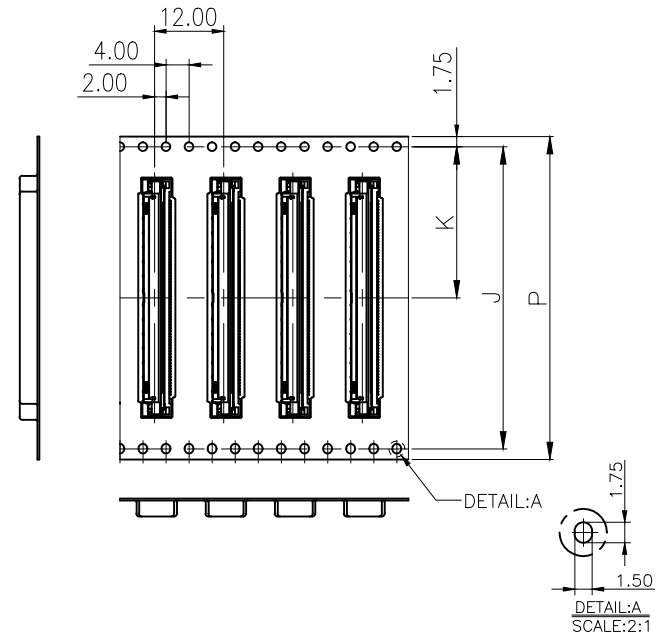
- NOTES:
- MATERIAL:
 - CARRY TAPE:HIPS,T=0.40,CLEAR
 - REEL:HIPS,
 - SHIM:PE,CLEAR.
 - PRIMARY PACKING:1500PCS/REEL.
 - SECONDARY PACKING:SEE PACKING LIST
 - PEELING RESISTANCE: 0.4~1.4N(40~140gf); PEELING ANGLE: 165°~180°; PEELING SPEED: 300mm/minutes.

5. QTY. LIST:

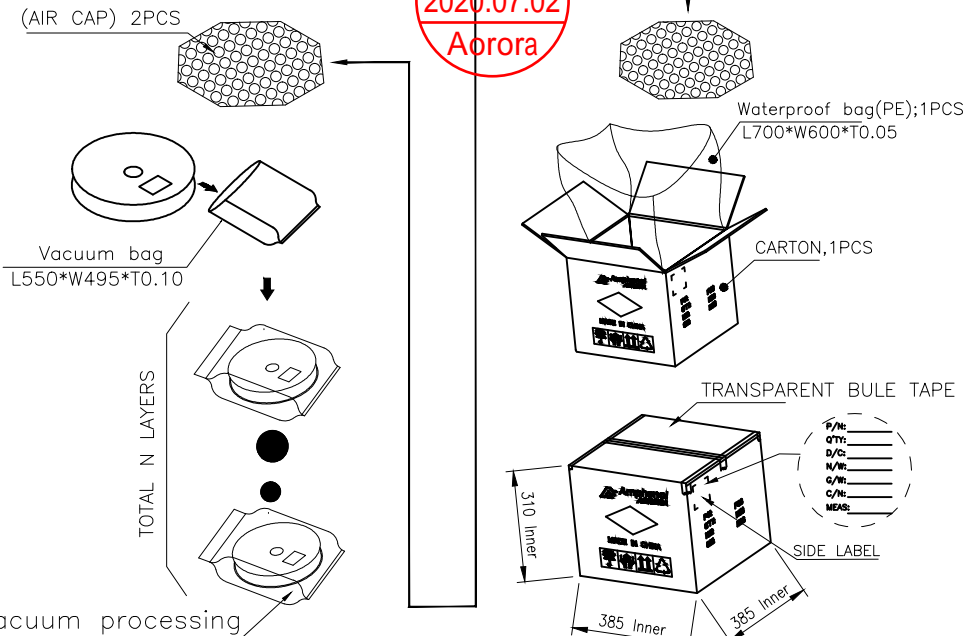
DIM	NO.	6~16pin	20~26pin	30~40pin	50~68pin
P	24.00	32.00	44.00	56.00	
J	20.40	28.4	40.40	52.40	
K	11.5	14.20	20.2	26.2	
L	25.5	33.5	45.5	57.5	
N	10	8	6	5	
TOTAL(PCS)		25,000	20,000	15,000	12,500

1. PACKING INTO REEL:

PULL OUT DIRECTION



2:PACKING INTO OUTER BOX



This document is the property of and embodies CONFIDENTIAL and PROPRIETARY information of AOR. No part of the information shown on this document may be used in any way or disclosed to others without the written consent of AOR. © 2019 AOR



UNLESS OTHERWISE SPECIFIED TOLERANCES				ANGLE OF PROJECTION		Amphenol AORORA	
X.	±0.30	X. °	± 5'			Amphenol AORORA Technology (Huizhou) Co.,Ltd	
X.X	±0.25	X.X °	± 4'				
X.XX	±0.20	X.XX °	± 3'	DOC TYP	Customer Drw	TITLE: Assembly Drawing For 0.50mm pitch Auto lock conn.	
X.XXX	±0.15	X.XXX °	± 2'	DRAWN DATE	Shuhong Chen 2020-06-22	SIZE	PART NUMBER:
LINEAR DIMS		ANGLES DIMS		DESIGN DATE	Shuhong Chen 2020-06-22	A4	F308-1B7*1-210**-E200
DWG NO.:	A-S0551			CHECKED DATE	Rain 2020-06-22	SCALE	1:1
MATERIAL	SEE NOTES			APPROVED DATE	Leo 2020-06-22	UNIT	mm
FINISHED	SEE NOTES					SHEET	3 OF 3

单击下面可查看定价，库存，交付和生命周期等信息

[>>Amphenol\(安费诺\)](#)