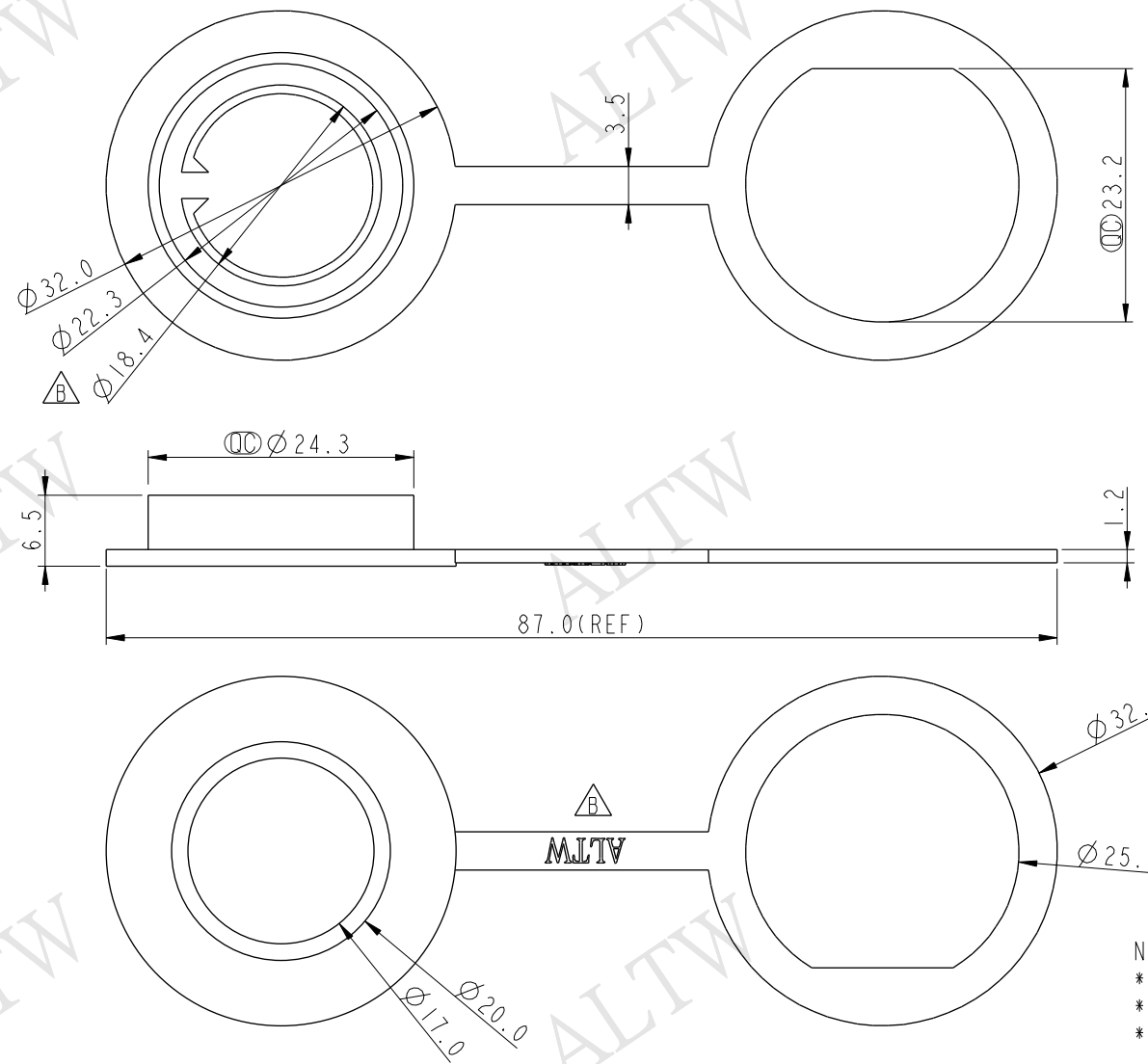


THIS DOCUMENT IS SUBJECT TO CHANGE WITHOUT NOTICE. IT IS CONFIDENTIAL AND A PROPERTY OF AMPHENOL LTW. DISCLOSURE TO THIRD PARTY HAS TO BE AUTHORIZED BY AMPHENOL LTW.

REV.	ECN NO.	DATE	SIGN	DESCRIPTION
A	Initial Release	2013/09/02	Vicky	Old Item No. CAP-DADPMXCI
B	LE31530020	2015/02/06	Ruru	Change Logo & Add Dimension



ALTW
 CONFIDENTIAL
 2015-02-26
 R&D DEPT.

ALTW
 DCC. DEPT.
 CONFIDENTIAL
 2015.03.06
 ISSUED

Note:
 * CC Important Dimension.
 * Material: Plastic Rubber, Black
 * Mold No.: LTW-TM121-B

UNIT: mm
 TOLERANCE
 ±0.5 mm

TITLE 1"-20 UNEF M Conn			
SCALE 3:2	SIZE A4	SHEET 1 OF 1	
REV. B	WC-REV. A.1	CC : Inspection item	

Amphenol LTW
 安費諾亮泰企業股份有限公司

ITEM NO. CAP-DADMDPCI	DRAWN BY Ruru	DATE 2015-02-26
DWG NO. CAP-DADMDPCI	CHECKED BY Rita	DATE 2015-02-26
CUSTOMER ALTW	APPROVED BY Lion	DATE 2015-02-26

单击下面可查看定价，库存，交付和生命周期等信息

[>>Amphenol\(安费诺\)](#)