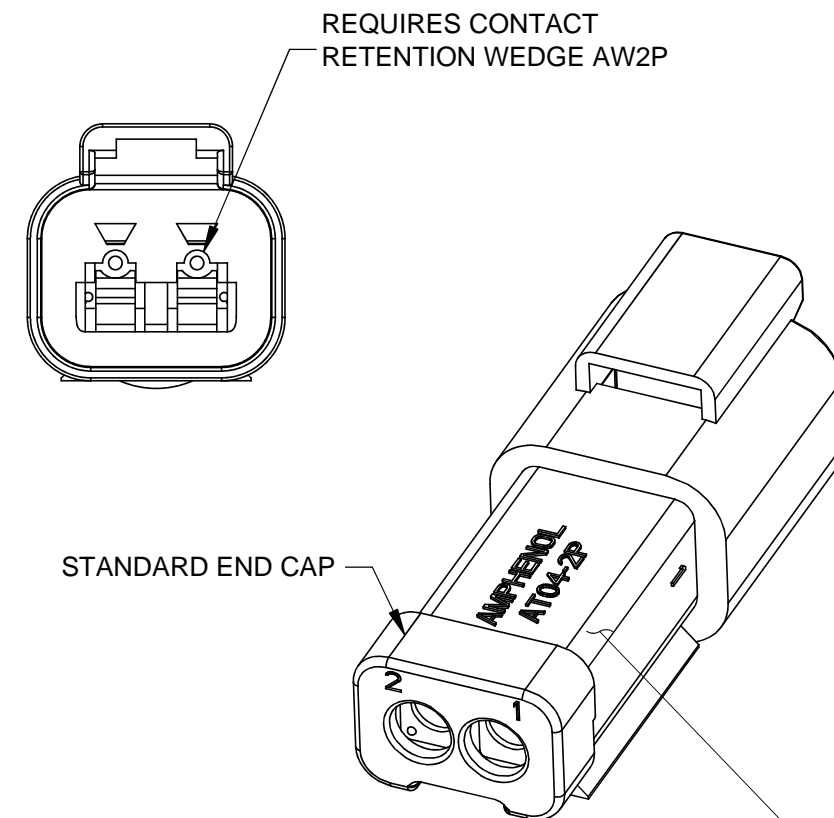
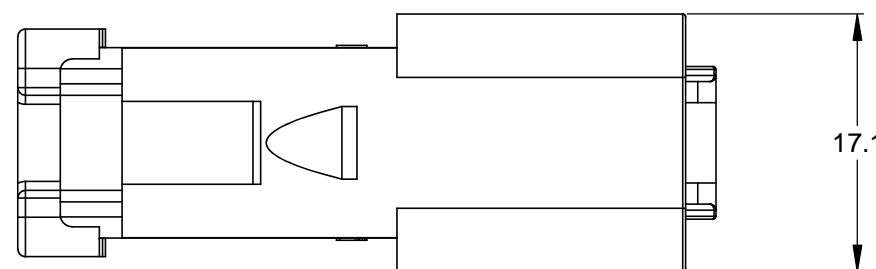
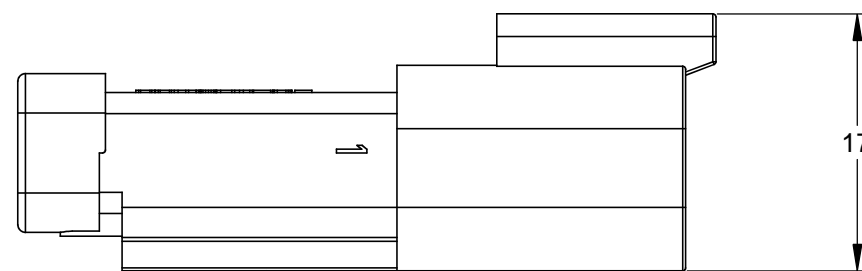
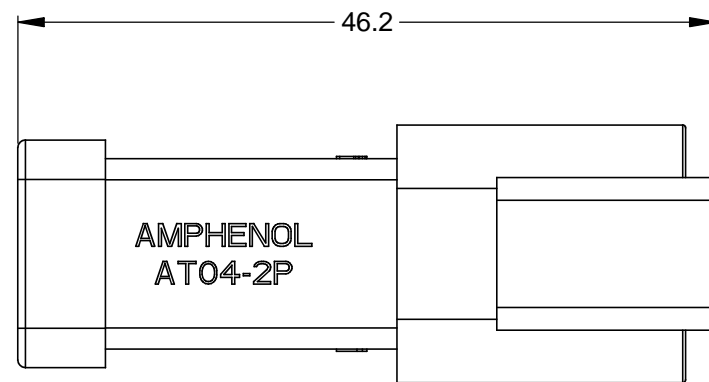
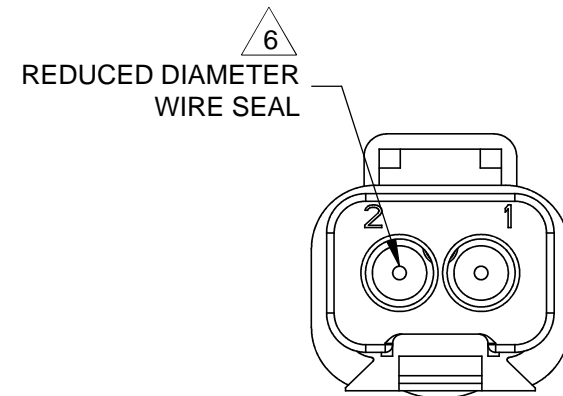


REVISIONS					
REV	ECO	DESCRIPTION	DATE	BY	APPR
A3	-	RELEASE NEW DWG FORMAT	02JAN14	JARRY	



STANDARD MOLDED COLOR IS GREY.
ADDITIONAL COLORS SHOWN IN PART NUMBER
CHART ARE AVAILABLE VIA SPECIAL ORDER.



NOTES: UNLESS OTHERWISE SPECIFIED

- MATERIAL:
HOUSING: THERMOPLASTIC
SEAL: SILICONE RUBBER
- MODIFICATIONS: END CAP; REDUCED DIA. WIRE SEAL
- SPECIFICATIONS:
 - CURRENT RATING: 13 AMPS
 - OPERATING TEMPERATURE: -55°C TO +125°C
 - DIELECTRIC WITHSTANDING VOLTAGE: LESS THAN 2 MILLIAMPS CURRENT LEAKAGE @ 1500 VOLTS AC.
 - INSULATION RESISTANCE: 1000 MEGOHMS MIN @ 25°C.
 - MOISTURE RESISTANCE: IP67 (MATED CONDITION)
 - MATING CYCLE DURABILITY: 100 CYCLES
 - RoHS COMPLIANT
- MATING PART: AT06-2S* PLUG
(* = MODIFICATIONS AND COLORS)
- ALL DIMENSIONS ARE FOR REFERENCE USE ONLY.

6 CONTACT SIZE AND REAR SEAL WIRE RANGE:

CONTACT SIZE	MIN. INSUL O.D.	MAX. INSUL O.D.	TYPICAL WIRE RANGE
16	1.35 mm (.053 in)	3.05 mm (.120 in)	14 - 20 AWG

PART NUMBER CHART	
COLOR	PART NUMBER
GREY	AT04-2P-MM01
BLACK	AT04-2P-MM01BLK
BLUE	AT04-2P-MM01BLU
BROWN	AT04-2P-MM01BRN
GREEN	AT04-2P-MM01GRN
RED	AT04-2P-MM01RED
WHITE	AT04-2P-MM01WHT
YELLOW	AT04-2P-MM01YEL

QUANTITY	SEE PART NUMBER CHART	DESCRIPTION	ITEM																																																							
	PART NUMBER																																																									
<table border="1"> <thead> <tr> <th colspan="2">MATERIALS LIST</th> <th colspan="2">SIGNATURES</th> <th>DATE</th> </tr> </thead> <tbody> <tr> <td colspan="2">UNLESS OTHERWISE SPECIFIED</td> <td>DRAWN: JARRY</td> <td colspan="2">02JAN14</td> </tr> <tr> <td colspan="2">1) All dimensions are in metric(mm).</td> <td>CHECKED:</td> <td colspan="2"></td> </tr> <tr> <td colspan="2">2) Tolerances are as follows:</td> <td>ENGINEER:</td> <td colspan="2"></td> </tr> <tr> <td colspan="2">1 PL DEC ±0.30</td> <td>APPROVAL:</td> <td colspan="2"></td> </tr> <tr> <td colspan="2">2 PL DEC ±0.15</td> <td>CUSTOMER:</td> <td colspan="2"></td> </tr> <tr> <td colspan="2">3 PL DEC ±0.08</td> <td colspan="3">THIS DRAWING IS SUPPLIED FOR INFORMATION ONLY. DESIGN FEATURES, SPECIFICATIONS AND PERFORMANCE DATA SHOWN HEREON ARE THE PROPERTY OF THE AMPHENOL CORPORATION. NO RIGHTS OF REPRODUCTION ARE IMPLIED. ALL DIMENSIONS ARE SUBJECT TO NORMAL MANUFACTURING VARIATIONS.</td> </tr> <tr> <td colspan="2">3) Note reference = \triangle X</td> <td colspan="3"></td> </tr> <tr> <td colspan="2">MATERIAL SPECIFICATIONS:</td> <td colspan="3"></td> </tr> <tr> <td colspan="2">PROCESS SPECIFICATIONS:</td> <td colspan="3"></td> </tr> <tr> <td colspan="2">NEXT ASSY:</td> <td colspan="3"></td> </tr> </tbody> </table>				MATERIALS LIST		SIGNATURES		DATE	UNLESS OTHERWISE SPECIFIED		DRAWN: JARRY	02JAN14		1) All dimensions are in metric(mm).		CHECKED:			2) Tolerances are as follows:		ENGINEER:			1 PL DEC ±0.30		APPROVAL:			2 PL DEC ±0.15		CUSTOMER:			3 PL DEC ±0.08		THIS DRAWING IS SUPPLIED FOR INFORMATION ONLY. DESIGN FEATURES, SPECIFICATIONS AND PERFORMANCE DATA SHOWN HEREON ARE THE PROPERTY OF THE AMPHENOL CORPORATION. NO RIGHTS OF REPRODUCTION ARE IMPLIED. ALL DIMENSIONS ARE SUBJECT TO NORMAL MANUFACTURING VARIATIONS.			3) Note reference = \triangle X					MATERIAL SPECIFICATIONS:					PROCESS SPECIFICATIONS:					NEXT ASSY:				
MATERIALS LIST		SIGNATURES		DATE																																																						
UNLESS OTHERWISE SPECIFIED		DRAWN: JARRY	02JAN14																																																							
1) All dimensions are in metric(mm).		CHECKED:																																																								
2) Tolerances are as follows:		ENGINEER:																																																								
1 PL DEC ±0.30		APPROVAL:																																																								
2 PL DEC ±0.15		CUSTOMER:																																																								
3 PL DEC ±0.08		THIS DRAWING IS SUPPLIED FOR INFORMATION ONLY. DESIGN FEATURES, SPECIFICATIONS AND PERFORMANCE DATA SHOWN HEREON ARE THE PROPERTY OF THE AMPHENOL CORPORATION. NO RIGHTS OF REPRODUCTION ARE IMPLIED. ALL DIMENSIONS ARE SUBJECT TO NORMAL MANUFACTURING VARIATIONS.																																																								
3) Note reference = \triangle X																																																										
MATERIAL SPECIFICATIONS:																																																										
PROCESS SPECIFICATIONS:																																																										
NEXT ASSY:																																																										
<table border="1"> <thead> <tr> <th>SIZE</th> <th>TYPE</th> <th>DWG NO.</th> <th>REVISION</th> </tr> </thead> <tbody> <tr> <td>B</td> <td>C-</td> <td>AT04-2P-MM01XXX</td> <td>A3</td> </tr> </tbody> </table>		SIZE	TYPE	DWG NO.	REVISION	B	C-	AT04-2P-MM01XXX	A3	<p>Amphenol</p> <p>Sine Systems - www.amphenol-sine.com 44724 Morley Drive Clinton Township, MI 48036</p> <p>RECEPTACLE, 2 PIN, AT SERIES, REDUCED DIAMETER WIRE SEAL, END CAP</p>																																																
SIZE	TYPE	DWG NO.	REVISION																																																							
B	C-	AT04-2P-MM01XXX	A3																																																							
SCALE: NONE		SHEET 1 OF 1																																																								

TITLE: RECEPTACLE, 2 PIN, AT, REDUCED DIA WIRE SEAL, END CAP
DWG NO: AT04-2P-ECO1XXX
REV: A3
SH: 1
OF: 1

单击下面可查看定价，库存，交付和生命周期等信息

[>>Amphenol\(安费诺\)](#)