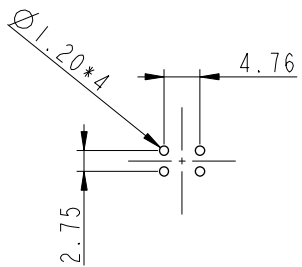
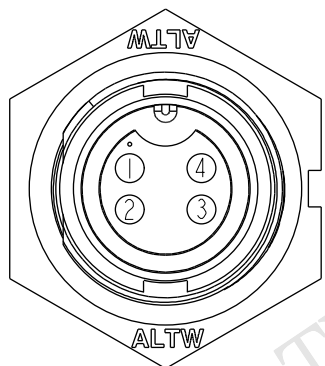
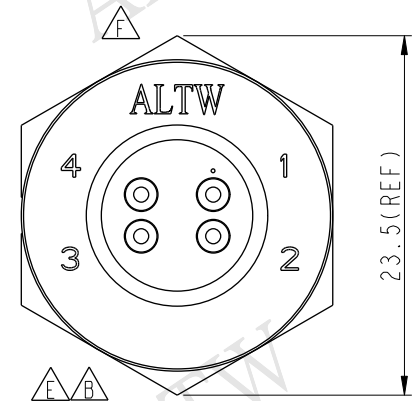
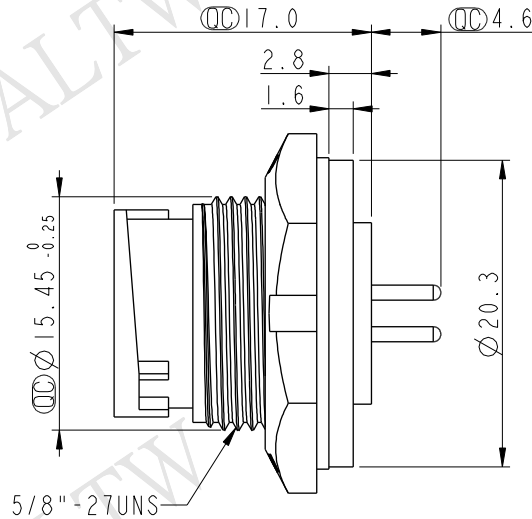
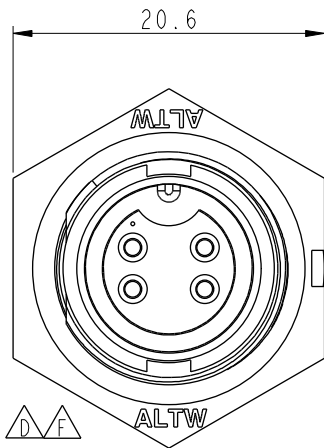


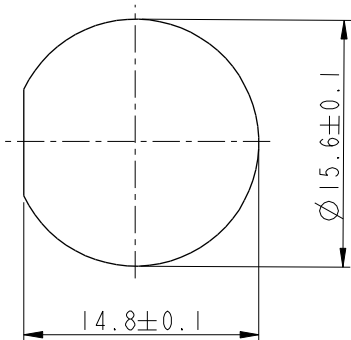
REV.	ECN NO.	DATE	SIGN	DESCRIPTION
D	LE3-8C0098	2008/11/07	Tommy	Change To Pin Hole
E	LEN-010133	2010/01/21	Li Xiu Zhi	Change View
F	LEN1660742	2016/06/06	Ruru	Change Logo



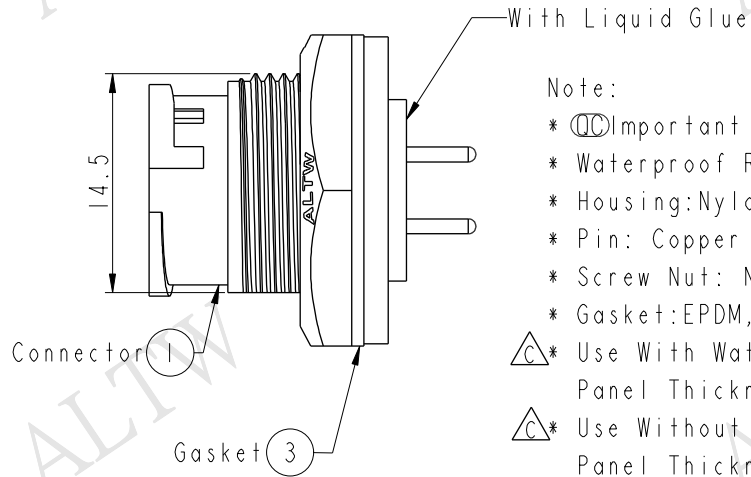
4Pin Male Connector
Female Pin PCB Layout



Pin Assignments
Front View



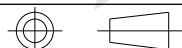
Recommended Panel Cut-out



Note:

- * CC Important Dimension To Check.
- * Waterproof Rate: IP67
- * Housing: Nylon+GF, Black
- * Pin: Copper Alloy, Gold Plated
- * Screw Nut: Nylon+GF
- * Gasket: EPDM, Black
- $\triangle C$ * Use With Waterproof Cap Or Dust Cap
Panel Thickness Max: 3.0mm
- $\triangle C$ * Use Without Waterproof Cap Or Dust Cap
Panel Thickness Max: 4.5mm

UNIT: mm



TOLERANCE	
.X	±0.25
.XX	±0.1
.XXX	±0.05
ANGLES	±1°

TITLE Standard Panel Lock 4Pin M Conn F Pin			
SCALE 2:1	SIZE A4	SHEET 1 OF 1	
REV. F	WC-REV. A.2	CC : Inspection item	

Amphenol LTW
安費諾亮泰企業股份有限公司

ITEM NO. BD-04PMFP-LC7001	DRAWN BY Ruru	DATE 2016-06-06
DWG NO. BD-04PMFP-LC7001	CHECKED BY Rita	DATE 2016-06-06
CUSTOMER ALTW	APPROVED BY Lisa	DATE 2016-06-06

单击下面可查看定价，库存，交付和生命周期等信息

[>>Amphenol\(安费诺\)](#)