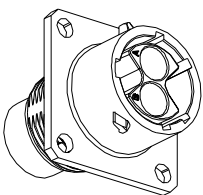
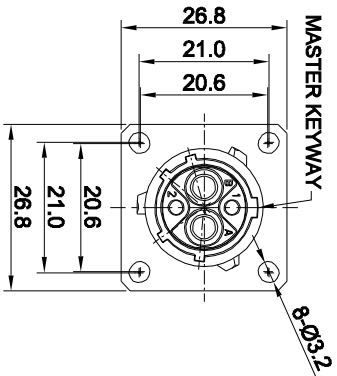
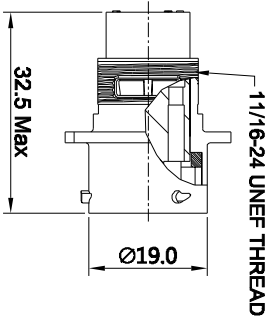
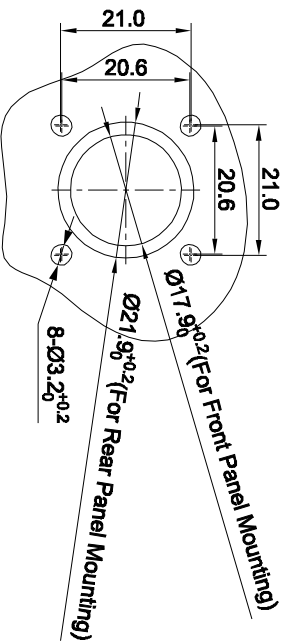


REVISIONS				
REV	ECO	DESCRIPTION	DATE	BY APPR
B1	-	RELEASED DRAWING	AUG-16-2014	BEN TOMMY



**NOTES : (UNLESS OTHERWISE SPECIFIED)**

1. MATERIAL :  
SHELL : ZINC ALLOY , NICKEL PLATED.  
INSERT : THERMOPLASTIC , UL94 V-0.  
SEAL GASKET : NBR/SILICONE RUBBER.
2. SPECIFICATIONS :  
2.1 RATED CURRENT :  
2.1.1 2.5mm CONTACT 23A (MAX) .  
2.1.2 20# CONTACT 5A (MAX) .  
2.2 RATED VOLTAGE : 350V ( AC/DC ) .  
2.3 OPERATING TEMPERATURE : SEE CHART .  
2.4 DIELECTRIC WITHSTANDING VOLTAGE : LESS THAN 2 MILLIAMPS CURRENT LEAKAGE@2000 VOLTS AC.  
2.5 INSULATION RESISTANCE : 5000 MEGOHMS MIN.  
2.6 IP--CLASS : IP67.  
2.7 MATING CYCLES DURABILITY : 500 CYCLES MIN.  
2.8 ROHS COMPLIANT.
3. SUITABLE CONTACTS : 2.5mm & 20# CONTACTS.
4. ALL DIMENSIONS ARE FOR REFERENCE USE ONLY.



PANEL CUT OUT REFERENCE

KEY POS	PART NUMBER
-40°C ~ 105°C	-40°C ~ 125°C
N	RT00122PN
W	RT00122PW
X	RT00122PX
Y	RT00122PY
Z	RT00122PZ

QUANTITY	SEE PART NUMBER CHART	PART NUMBER	
<p><b>MATERIALS LIST</b></p> <p>UNLESS OTHERWISE SPECIFIED</p> <p>1) ALL DIMENSIONS ARE IN MILLIMETERS.</p> <p>2) TOLERANCES ARE AS SHOWN.</p> <p>1 PL. DEC 50 20</p> <p>1 PL. DEC 50 20</p> <p>3 PL. DEC 50 20</p> <p>3 PL. DEC 50 20</p> <p>3) Note reference = </p>			
<p>SIGNATURES</p> <p>DRAWN: BBI</p> <p>CHECKED: NLS-5/21/11</p> <p>ENGINEER: [blank]</p> <p>APPROVAL: [blank]</p>		<p>DATE</p> <p>DATE</p>	
<p>CUSTOMER:</p> <p>ECO-MATE RECEPTACLE, SIZE 12.2POS. PIN.</p>		<p>THIS DRAWING IS SUPPLIED FOR SPECIFICATIONS AND PERFORMANCE DATA. THE DRAWING IS NOT TO BE USED FOR REPRODUCTION OR REPRODUCTION IN ANY MANNER. ALL RIGHTS ARE RESERVED. ALL RIGHTS ARE RESERVED.</p>	
<p>SIZE</p> <p>TYPE</p> <p>DWG NO.</p> <p>RT00122P##</p>		<p>REVISION</p> <p>B1</p>	
<p>SCALE</p> <p>NONE</p>		<p>SHEET</p> <p>1 OF 1</p>	

**Amphenol**  
Sine Systems - www.amphenol-sine.com  
44724 Morley Drive  
Clinton Township, MI 48038

ECO-MATE RECEPTACLE,  
SIZE 12.2POS. PIN.

UNLESS OTHERWISE SPECIFIED  
1) ALL DIMENSIONS ARE IN MILLIMETERS.  
2) TOLERANCES ARE AS SHOWN.  
1 PL. DEC 50 20  
1 PL. DEC 50 20  
3 PL. DEC 50 20  
3 PL. DEC 50 20  
3) Note reference =

单击下面可查看定价，库存，交付和生命周期等信息

[>>Amphenol\(安费诺\)](#)