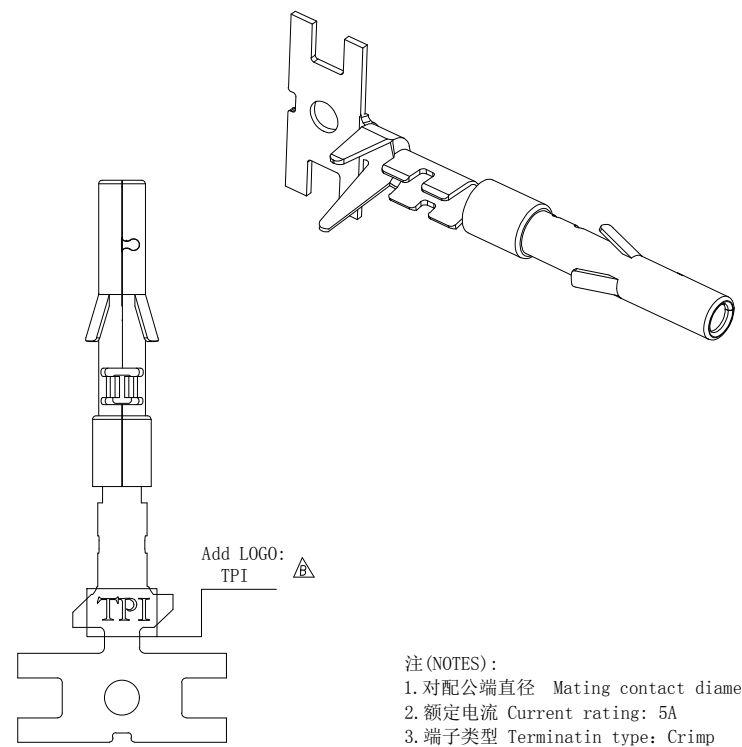
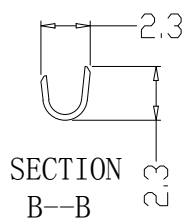
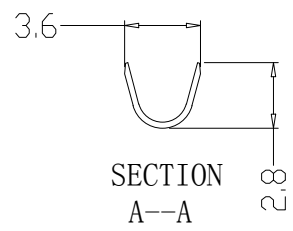
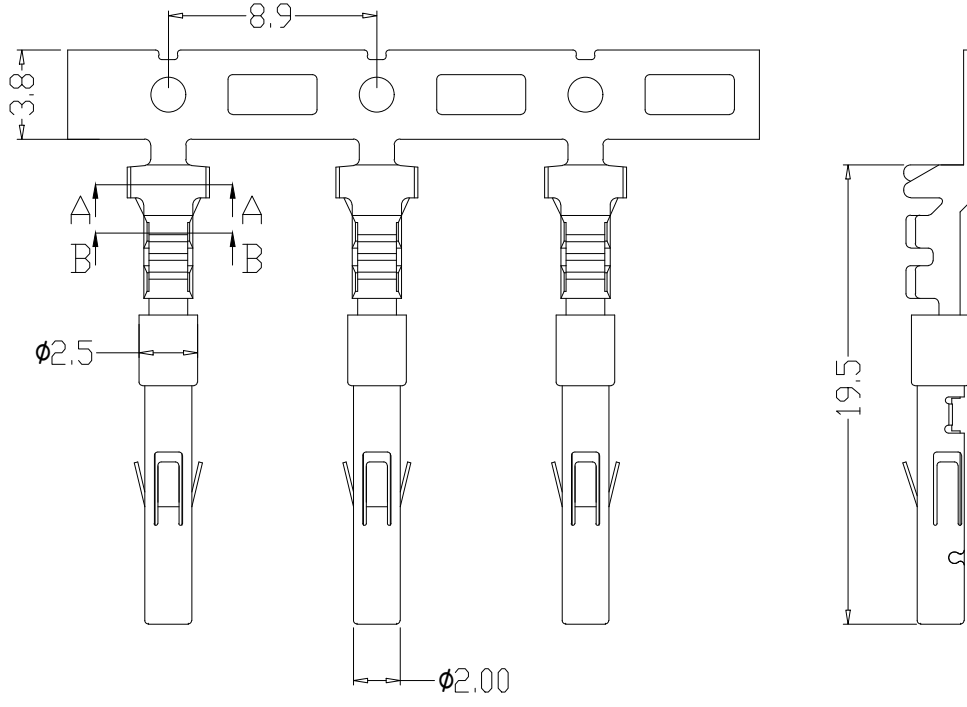


THIS DRAWING IS SUPPLIED FOR INFORMATION ONLY. DESIGN FEATURES, SPECIFICATIONS AND PERFORMANCE DATA SHOWN HEREON ARE THE PROPERTY OF THE AMPHENOL CORPORATION. NO RIGHTS OF REPRODUCTION ARE IMPLIED. ALL DIMENSIONS ARE SUBJECT TO NORMAL MANUFACTURING VARIATIONS.

**Customer Drawing**

REV		ZONE	ECO	DESCRIPTION	DATE	BY	APPR
				REVISIONS			
A	--	--	--	INITIAL RELEASE	11/22/18	FL	JL
B	--	--	--	Add LOGO	05/08/19	FL	JL
C	--	--	--	Remove the gold-plated terminal	05/12/20	JS	JL

A  
B  
C  
D  
E  
F



- 注 (NOTES):
1. 对配公端直径 Mating contact diameter: 1.0mm
  2. 额定电流 Current rating: 5A
  3. 端子类型 Terminatin type: Crimp
  4. 压线规格 Wire size :AWG20~22
  - △ 5. 电镀信息 Plating specification:  
镍底镀锡 Tin over nickel
  6. 材料规格 Material specification:  
6.1. 端子: 铜合金  
Contact body: Copper alloy  
6.2. 外套: 不锈钢  
Outer spring: Stainless steel
  7. 符合ROHS  
ROHS compliant

	Amphenol Technical Products International GZ					
	第三角投影 THIRD ANGLE PROJECTION	页面 SHEET	幅面 SIZE	版次 REV.	比例 SCALE	PART NAME:
	1 OF 1	A3	C		HC Contact 20#Socket AWG20~22	
签名 SIGNATURE		日期 DATE		UNLESS OTHERWISE SPECIFIED		DWG NO:
制图 DRAWN	JS	05/12/20		1) All dimensions are in metric(mm). 2) Tolerances are as follows:		HCTF12104
审核 CHECKED	YM	05/12/20		1 PL DEC ±1.00 2 PL DEC ±0.50 3 PL DEC ±0.20		CUST PART #:
批准 APPROVAL	JL	05/12/20		Angles ±1°		N/A
						CUST REV.:
						-

单击下面可查看定价，库存，交付和生命周期等信息

[>>Amphenol\(安费诺\)](#)