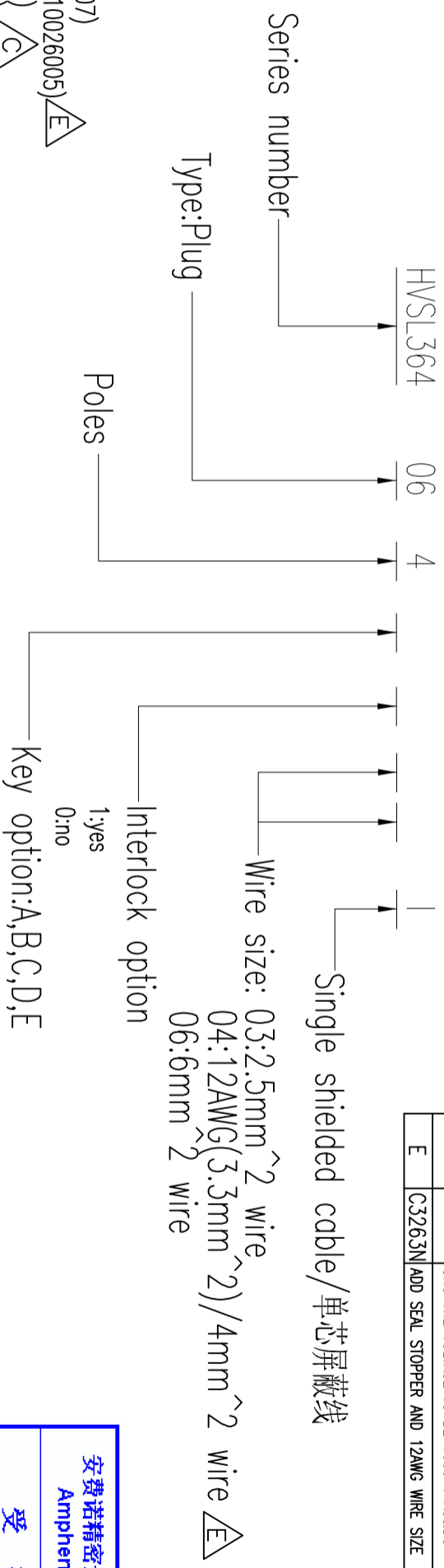


Amphenol PCD SZ  
ORIGINAL  
PDF Format

C-HVSL364064XXXXX1

PART NUMBERING SCHEME



REV	ECN	DESCRIPTION	DATE	MODIFIED
C	C2873	CHG TO TIN FINISH FOR 2.5&4 SQ CONTACT	Jul-2-18	Rock
D	C3001	CHG THE P/N FOR FERRULE FOR 4MM^2 WIRE CHG THE VOLTAGE TO BE 1000 V AC&DC	Sep-30-18	Rock
E	C3263N	ADD SEAL STOPPER AND 12AWG WIRE SIZE	Apr-23-19	LUIK

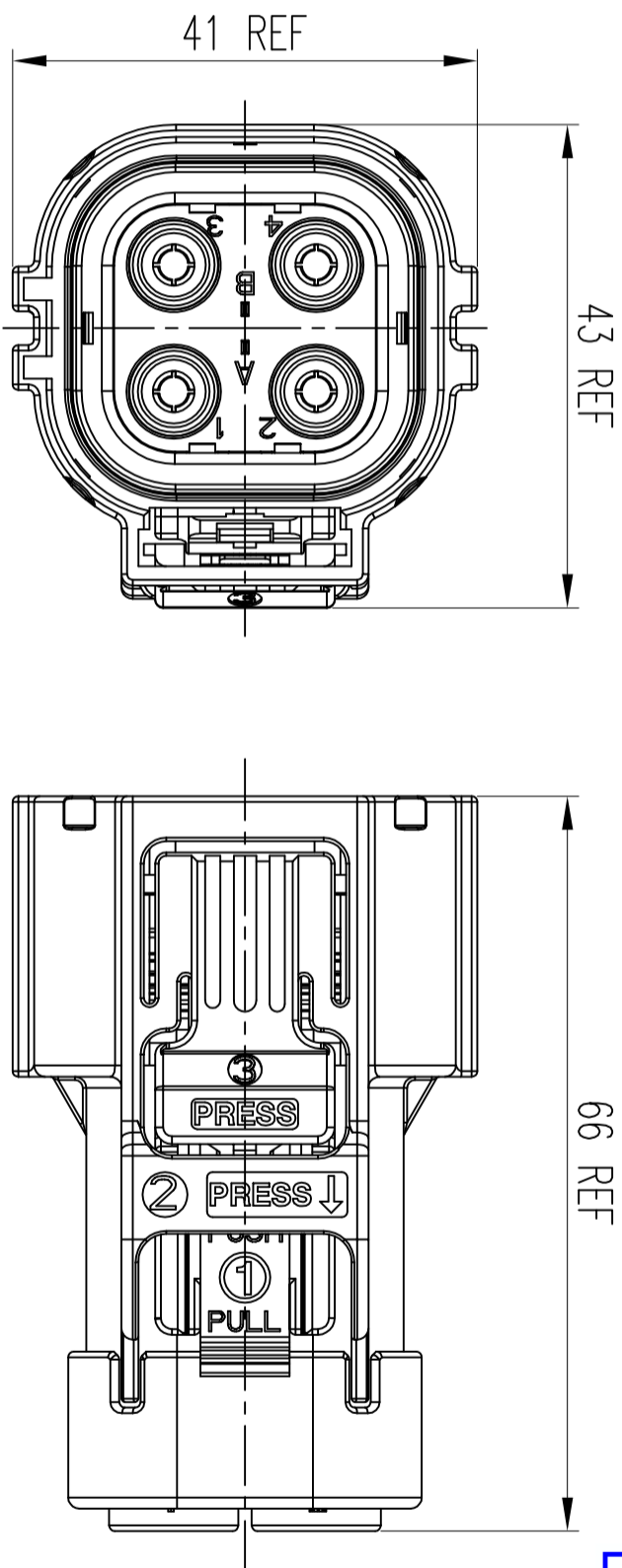
安费诺精密连接器(深圳)有限公司  
Amphenol PCD Shenzhen  
受控文件  
2019年5月14日

★ Material  
Housing : PA66 UL94-V0  
Contacts: Copper alloy, Tin or Ag plated  
Shield: Copper alloy, Tin plated  
Seal: Silicone  
Ferrule: Copper alloy, Tin plated  
\* Rated Current :  
20A(2.5mm<sup>2</sup> cable-stamping power contact C310026007)  
25A(12AWG/3.3mm<sup>2</sup> cable-stamping power contact C310026005)   
32A(4mm<sup>2</sup> cable-stamping power contact C310026005)   
40A(6mm<sup>2</sup> cable-stamping power contact C310026001)   
46A(6mm<sup>2</sup> cable-machined power contact C200012102)

APPLICATION: POLLUTION DEGREE II   
OVERVOLTAGE CATEGORY II   
INHOMOGENEOUS FIELD  
ALTITUDE NO MORE THAN 2000M

★ IS CRITICAL CHARACTERISTIC SYMBOL   
◎ IS IMPORTANT CHARACTERISTIC SYMBOL

TECHINICAL DATA		SPECIAL CHARACTERISTICS SYMBOL
VOLTAGE RATING	1000V AC&DC	★
WITHSTAND VOLTAGE	3000V AC	★
INSULATION RESISTANCE	>100MΩ	★
CURRENT RATING	SIGNAL CONTACT 5A	★
	POWER CONTACT SEE *	★
WATER PROOF (MATED CONDITION)	IP67	★
IP FOR FINGER TOUCH (UNMATED CONDITION)	IP2XB	★
SHIELDING FUNCTION	YES	NA
MAX MATING CYCLES	50 TIMES	◎
OPERATION TEMP.	-40-125°C	NA
WIRE RANGE	2.5-6mm <sup>2</sup>	NA



\*NOTES:  
1.HVSL364064XXXXX1 shown in this sheet  
2.Recommend OD of shielded wire for power contact(屏蔽线缆护套直径):  
2.5mm<sup>2</sup> wire:φ4.20mm-φ4.60mm  
12AWG(3.3mm<sup>2</sup>), 4mm<sup>2</sup> wire:φ5.20mm-φ5.70mm  
6mm<sup>2</sup> wire:φ6.10mm-φ6.50mm  
3.Contact should be ordered separately/端子需要根据使用的电流和线径单独购买  
Stamping Power contact:2.5mm<sup>2</sup>:C310026007, 12AWG(3.3mm<sup>2</sup>), 4mm<sup>2</sup>:C310026005, 6mm<sup>2</sup>:C310026001, Use level:4pcs  
4. if use less than 4 circuits,user can adopt seal stopper for populqe,P/N is P03BP00068,One hole use one stopper  
如果客户使用少于4芯可以用防水塞堵住, 防水塞料号为P03BP00068, 堵一芯用1pc

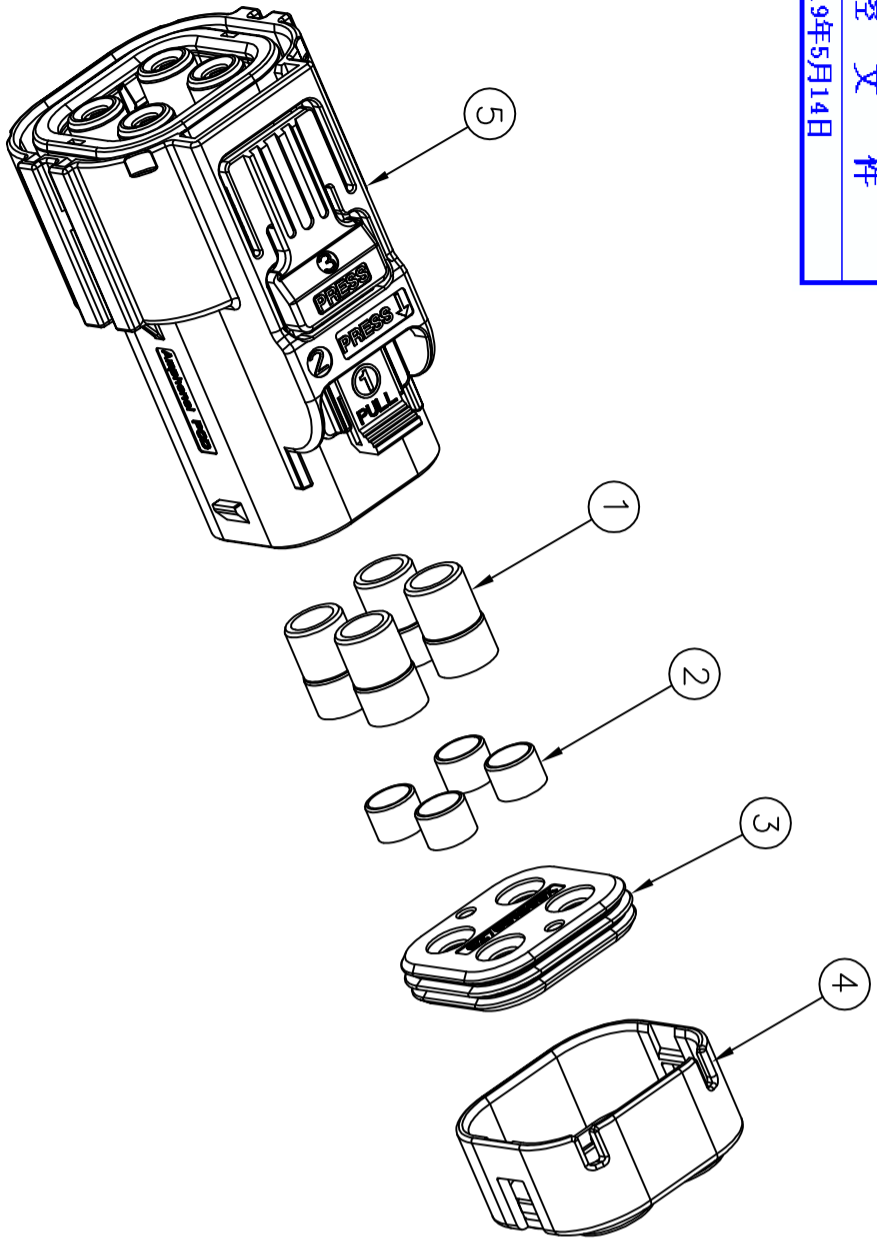
★ 5. ROHS COMPLIANCE

DIMENSIONS	TOLERANCES	PROJECTION	TITLE	
ANSI Y14.5M UNITS: MM CAD FILE	X ± 0.5 XX ± 0.05 ANGLES ± 2°		SIZE A3	DWG NO. C-HVSL364064XXXXX1
ORIGINAL	THIS DOCUMENT CONTAINS PROPRIETARY INFORMATION WHICH IS THE CONFIDENTIAL PROPERTY OF AMPHENOL PCD SHENZHEN		CHKD Rock	SCALE NONE
			ENGR Rock	SHEET 1 OF 3
			APPD <i>Denck</i>	REV E
			2017.05.28	
			HVSL364 4P PLUG	

C-HVSL364064XXXXX1

C-HVSL364064XXXXX1

安费诺精密连接器(深圳)有限公司  
Amphenol PCD Shenzhen  
受控文件  
2019年5月14日



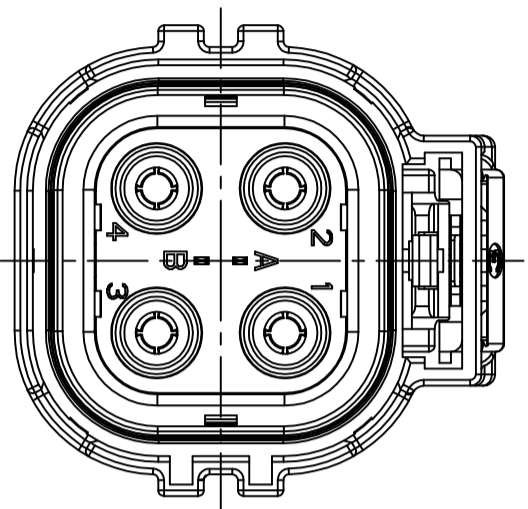
C-HVSL364064XXXXX1

HVSL364064XX031	5	HVSL364064XY(X=A,B,C,D,E;Y=0,1)	1	2.50mm <sup>2</sup> SHIELD CABLE OD=φ4.20-φ4.60 B
	4	C42200117081	1	
	3	C42700116031	1	
	2	C4200011608	4	
	1	C4200011601	4	
HVSL364064XX041	5	HVSL364064XY(X=A,B,C,D,E;Y=0,1)	1	12AWG(3.3mm <sup>2</sup> ) 4mm <sup>2</sup> SHIELD CABLE OD=φ5.20-φ5.70 E
	4	C42200117082	1	
	3	C42700116032	1	
	2	P03BS00024	4	
	1	C4200011603	4	
HVSL364064XX061	5	C42200117083	1	6mm <sup>2</sup> SHIELD CABLE OD=φ6.10-φ6.50 B
	4	C42700116033	1	
	3	C4200011202	4	
	2	C4200011603	4	
	1	C4200011603	4	
Assembly P/N	ITEM	COMPONENT P/N	QTY	REMARKS

ITEM1	ITEM2	ITEM3	ITEM4	ITEM5																																																														
<table border="1"> <tr><th>Wire size</th><th>PART NUMBER</th><th>DIM "d1"(mm)</th></tr> <tr><td>2.5mm~2</td><td>C4200011601</td><td>6.30mm</td></tr> <tr><td>12AWG(3.3mm<sup>2</sup>)</td><td>C4200011603</td><td>8.55mm</td></tr> <tr><td>4mm~2</td><td>C4200011603</td><td>8.55mm</td></tr> <tr><td>6mm~2</td><td>C4200011603</td><td>8.55mm</td></tr> </table>	Wire size	PART NUMBER	DIM "d1"(mm)	2.5mm~2	C4200011601	6.30mm	12AWG(3.3mm <sup>2</sup> )	C4200011603	8.55mm	4mm~2	C4200011603	8.55mm	6mm~2	C4200011603	8.55mm	<table border="1"> <tr><th>Wire size</th><th>PART NUMBER</th><th>DIM "d2"(mm)</th></tr> <tr><td>2.5mm~2</td><td>C4200011608</td><td>4.65mm</td></tr> <tr><td>12AWG(3.3mm<sup>2</sup>)</td><td>P03BP00024</td><td>5.90mm</td></tr> <tr><td>4mm~2</td><td>P03BP00024</td><td>5.90mm</td></tr> <tr><td>6mm~2</td><td>C4200011202</td><td>6.55mm</td></tr> </table>	Wire size	PART NUMBER	DIM "d2"(mm)	2.5mm~2	C4200011608	4.65mm	12AWG(3.3mm <sup>2</sup> )	P03BP00024	5.90mm	4mm~2	P03BP00024	5.90mm	6mm~2	C4200011202	6.55mm	<table border="1"> <tr><th>Wire size</th><th>PART NUMBER</th><th>DIM "d3"(mm)</th></tr> <tr><td>2.5mm~2</td><td>C42700116031</td><td>3.20mm</td></tr> <tr><td>12AWG(3.3mm<sup>2</sup>)</td><td>C42700116032</td><td>4.00mm</td></tr> <tr><td>4mm~2</td><td>C42700116032</td><td>4.00mm</td></tr> <tr><td>6mm~2</td><td>C42700116033</td><td>5.20mm</td></tr> </table>	Wire size	PART NUMBER	DIM "d3"(mm)	2.5mm~2	C42700116031	3.20mm	12AWG(3.3mm <sup>2</sup> )	C42700116032	4.00mm	4mm~2	C42700116032	4.00mm	6mm~2	C42700116033	5.20mm	<table border="1"> <tr><th>Wire size</th><th>PART NUMBER</th><th>DIM "d4"(mm)</th></tr> <tr><td>2.5mm~2</td><td>C42200117081</td><td>5.70mm</td></tr> <tr><td>12AWG(3.3mm<sup>2</sup>)</td><td>C42200117082</td><td>6.30mm</td></tr> <tr><td>4mm~2</td><td>C42200117082</td><td>6.30mm</td></tr> <tr><td>6mm~2</td><td>C42200117083</td><td>7.30mm</td></tr> </table>	Wire size	PART NUMBER	DIM "d4"(mm)	2.5mm~2	C42200117081	5.70mm	12AWG(3.3mm <sup>2</sup> )	C42200117082	6.30mm	4mm~2	C42200117082	6.30mm	6mm~2	C42200117083	7.30mm	<table border="1"> <tr><th>PART NUMBER</th></tr> <tr><td>HVSL364064XY (X=A,B,C,D,E;Y=0,1)</td></tr> </table>	PART NUMBER	HVSL364064XY (X=A,B,C,D,E;Y=0,1)
Wire size	PART NUMBER	DIM "d1"(mm)																																																																
2.5mm~2	C4200011601	6.30mm																																																																
12AWG(3.3mm <sup>2</sup> )	C4200011603	8.55mm																																																																
4mm~2	C4200011603	8.55mm																																																																
6mm~2	C4200011603	8.55mm																																																																
Wire size	PART NUMBER	DIM "d2"(mm)																																																																
2.5mm~2	C4200011608	4.65mm																																																																
12AWG(3.3mm <sup>2</sup> )	P03BP00024	5.90mm																																																																
4mm~2	P03BP00024	5.90mm																																																																
6mm~2	C4200011202	6.55mm																																																																
Wire size	PART NUMBER	DIM "d3"(mm)																																																																
2.5mm~2	C42700116031	3.20mm																																																																
12AWG(3.3mm <sup>2</sup> )	C42700116032	4.00mm																																																																
4mm~2	C42700116032	4.00mm																																																																
6mm~2	C42700116033	5.20mm																																																																
Wire size	PART NUMBER	DIM "d4"(mm)																																																																
2.5mm~2	C42200117081	5.70mm																																																																
12AWG(3.3mm <sup>2</sup> )	C42200117082	6.30mm																																																																
4mm~2	C42200117082	6.30mm																																																																
6mm~2	C42200117083	7.30mm																																																																
PART NUMBER																																																																		
HVSL364064XY (X=A,B,C,D,E;Y=0,1)																																																																		

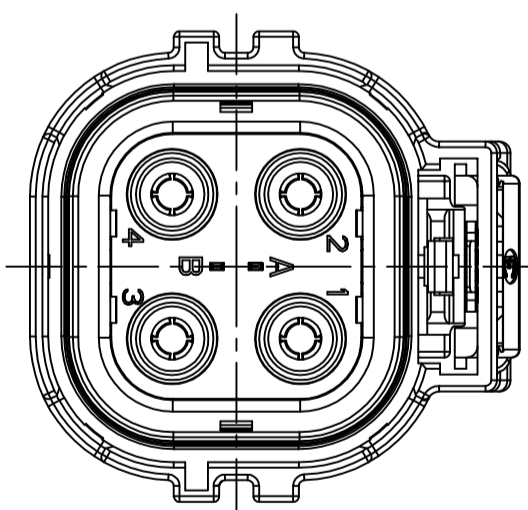
C-HVSL364064XXXXX1

SIZE	DWG NO.	REV
A3	C-HVSL364064XXXXX1	E
CODE:	SCALE	SHEET
	NONE	2 OF 3



KEY A

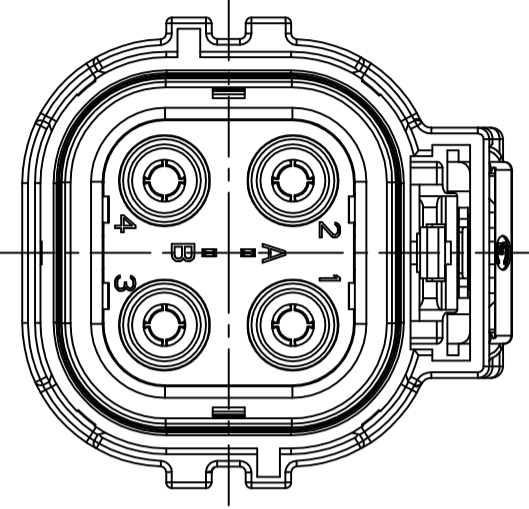
HVSL364064XXXXXI



KEY D

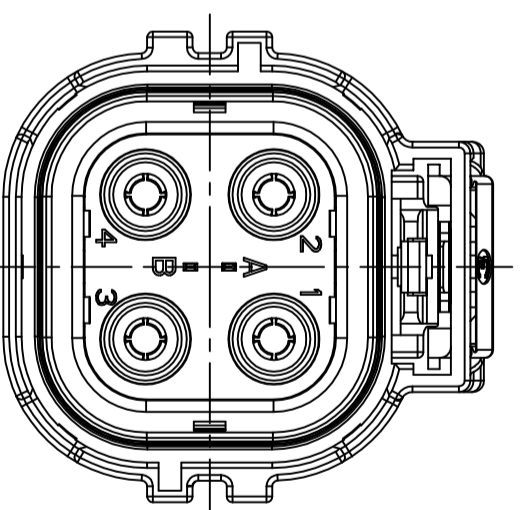
HVSL364064DXXXXI

安费诺精密连接器(深圳)有限公司 Amphenol PCD Shenzhen
受控文件
2019年5月14日



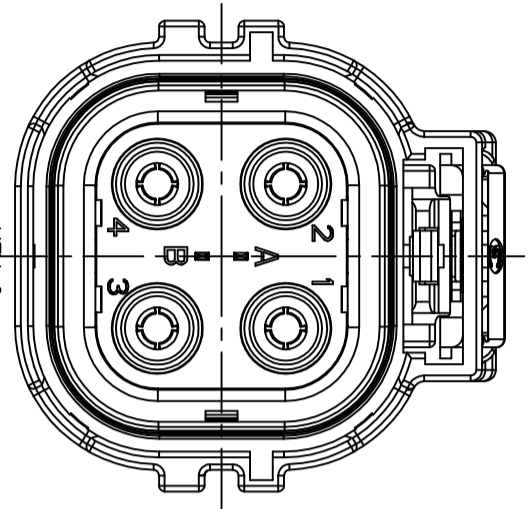
KEY B

HVSL364064BXXXXI



KEY E

HVSL364064EXXXXI



KEY C

HVSL364064CXXXXI

SIZE	DWG NO.	REV
A3	C-HVSL364064XXXXXI	E
CODE:	SCALE	SHEET
	NONE	3 OF 3

单击下面可查看定价，库存，交付和生命周期等信息

[>>Amphenol\(安费诺\)](#)