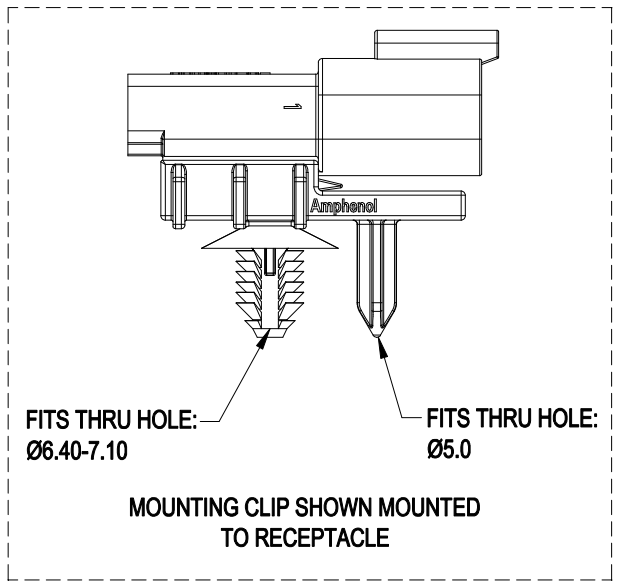
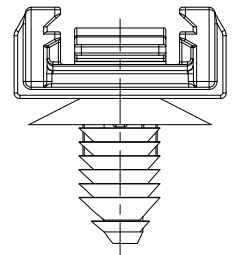
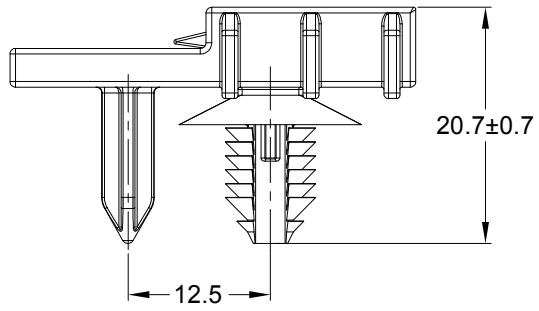
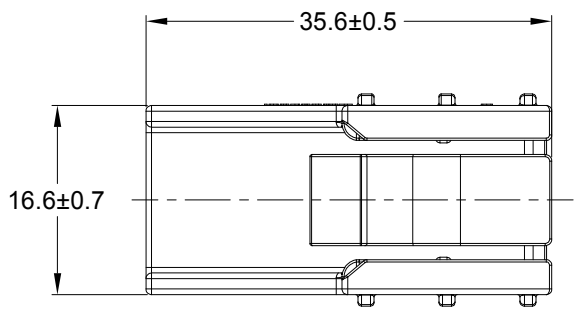


REVISIONS					
REV	ECO	DESCRIPTION	DATE	BY	APPR
A1	-	NEW RELEASE	14/MAR/18	ROOKIE	TOMMY
A2	-	UPDATE DRAWING	13/JAN/20	ROOKIE	TOMMY



NOTES: UNLESS OTHERWISE SPECIFIED

- MATERIAL: THERMOPLASTIC; COLOR: BLACK
- RoHS COMPLIANT
- USE WITH CONNECTORS
 - A.AT04-2P*/3P*/4P*/6P*/12P*
 - B.ATM04-2P*~12P*
 - C.ATP04-2P*/4P*
 - D.ATV04-*
 - E.ATHD04-*
 (* = MODIFICATIONS AND/OR COLORS)
- ALL DIMENSIONS ARE FOR REFERENCE USE ONLY.
- RECOMMENDED PANEL THICKNESS: 0.70 - 5.10.
- CONNECTOR REMOVABLE FORCE: 50N Min.

AT11-310-0205		REF:1011-310-0205		
QUANTITY	PART NUMBER	DESCRIPTION		ITEM
MATERIALS LIST				
UNLESS OTHERWISE SPECIFIED 1) All dimensions are in metric(mm). 2) Tolerances are as follows: 1 PL DEC ±0.30 Fractions ±1/64 2 PL DEC ±0.15 Angles ±1° 3 PL DEC ±0.08 3) Note reference =		SIGNATURES DATE DRAWN: ROOKIE 13/JAN/20 CHECKED: ORION 13/JAN/20 ENGINEER: APPROVAL: TOMMY 13/JAN/20 CUSTOMER:	<h1>Amphenol</h1> <p>Sine Systems - www.amphenol-sine.com 44724 Morley Drive Clinton Township, MI 48036</p>	
MATERIAL SPECIFICATIONS:		MOUNTING CLIP,AT/ATM/ATP/ATV/ATHD,BLK FIR TREE STUD MOUNT		
PROCESS SPECIFICATIONS:		THIS DRAWING IS SUPPLIED FOR INFORMATION ONLY. DESIGN FEATURES, SPECIFICATIONS AND PERFORMANCE DATA SHOWN HEREON ARE THE PROPERTY OF THE AMPHENOL CORPORATION. NO RIGHTS OF REPRODUCTION ARE IMPLIED. ALL DIMENSIONS ARE SUBJECT TO NORMAL MANUFACTURING VARIATIONS.		SIZE TYPE DWG NO: REVISION A C- AT11-310-0205 A2
NEXT ASSY:		SCALE: NONE	SHEET 1 OF 1	

单击下面可查看定价，库存，交付和生命周期等信息

[>>Amphenol\(安费诺\)](#)